

JEFFREY ALEXANDER®

by Hardware Resources



VANITY & TOP SPECIFICATION DRAWINGS

VANITIES

ADDINGTON	2
ADLER	2
ASTORIA	3
CADE	3
CHATHAM	4
CLAIREMONT	4
COMPTON	5
DASHWOOD.....	5
DOUGLAS	6
GARDNER.....	6
JENSEN	7
JUBILEE	7
KATARA	8
KIPLING.....	8
PASCAL.....	9
PERCIVAL	9
SAVINO	10
TEMPEST	10

THEODORA	11
WAVECREST	11

LEGS	12
-------------------	----

TOPS

OVAL BOWLS.....	13
RECTANGLE BOWLS	14
INTEGRATED BOWL: LAVANTE MATERIAL	15
INTEGRATED BOWL: WHITE RESIN MATERIAL.....	16
CLAIREMONT & COMPTON (OVAL).....	17
CLAIREMONT & COMPTON (RECTANGLE).....	18

BOWLS	19
--------------------	----

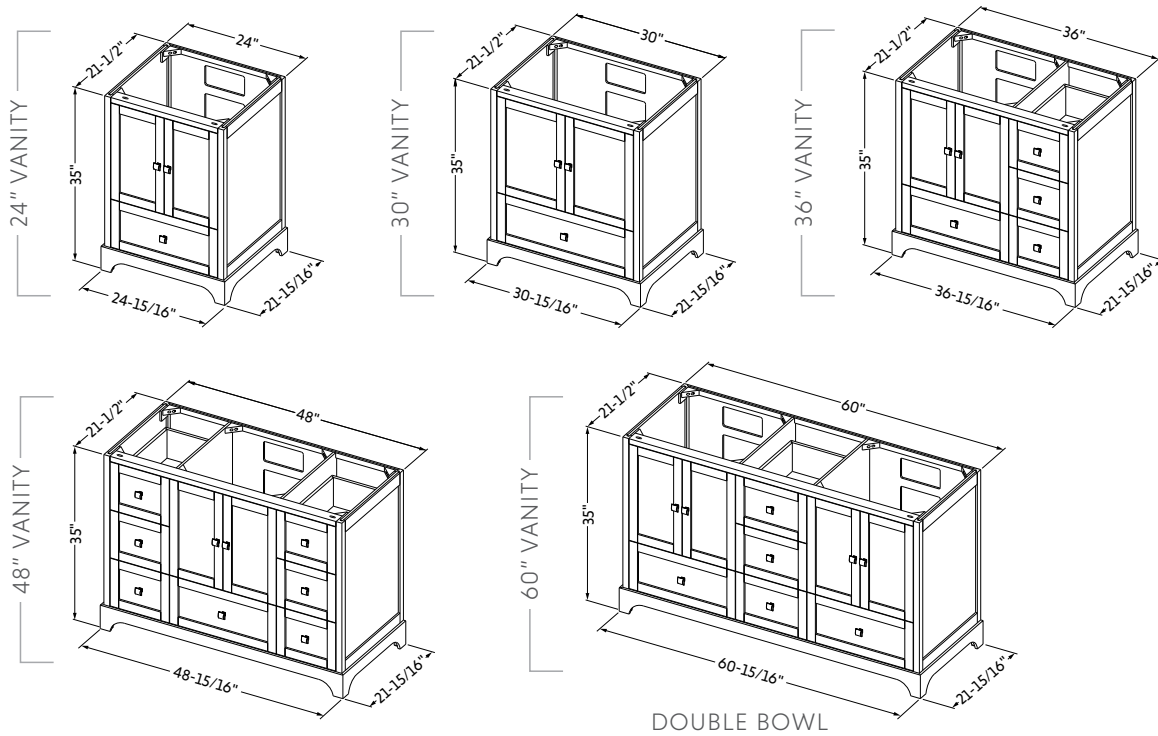
MIRRORS

WOOD FRAME MIRRORS.....	19-21
METAL FRAME MIRRORS	21

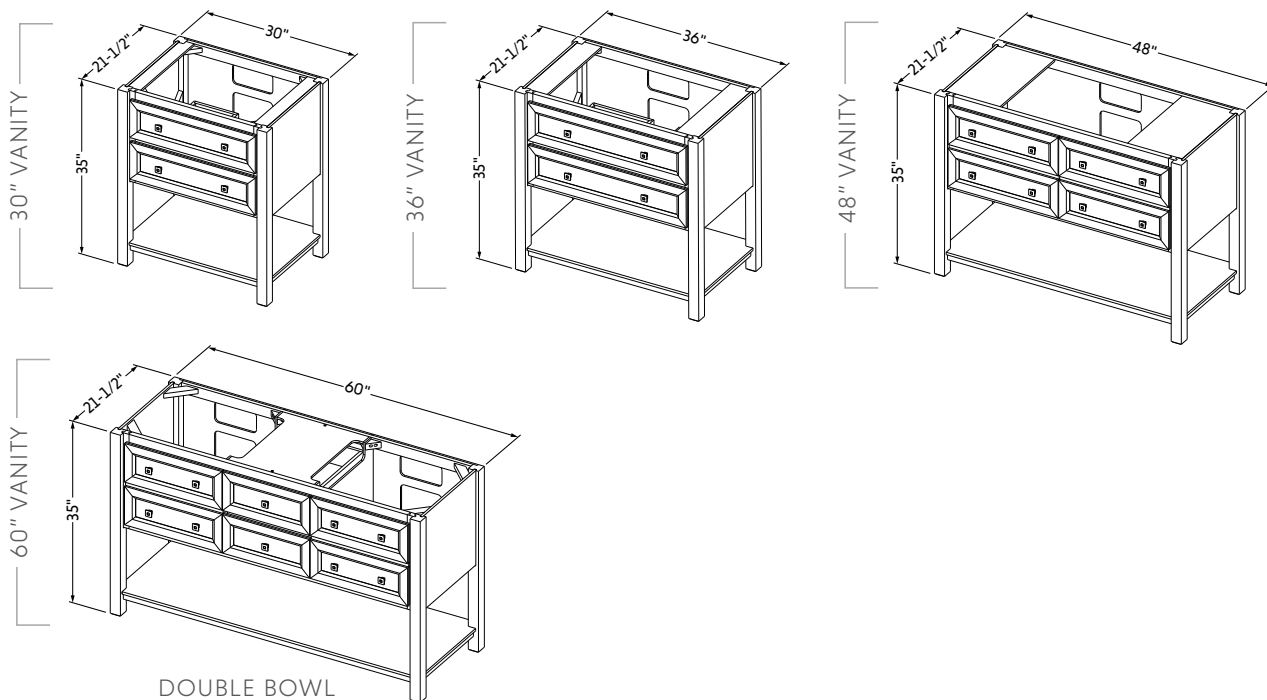
Vanity Specifications

JEFFREY ALEXANDER®
by Hardware Resources

ADDINGTON - RETIRED



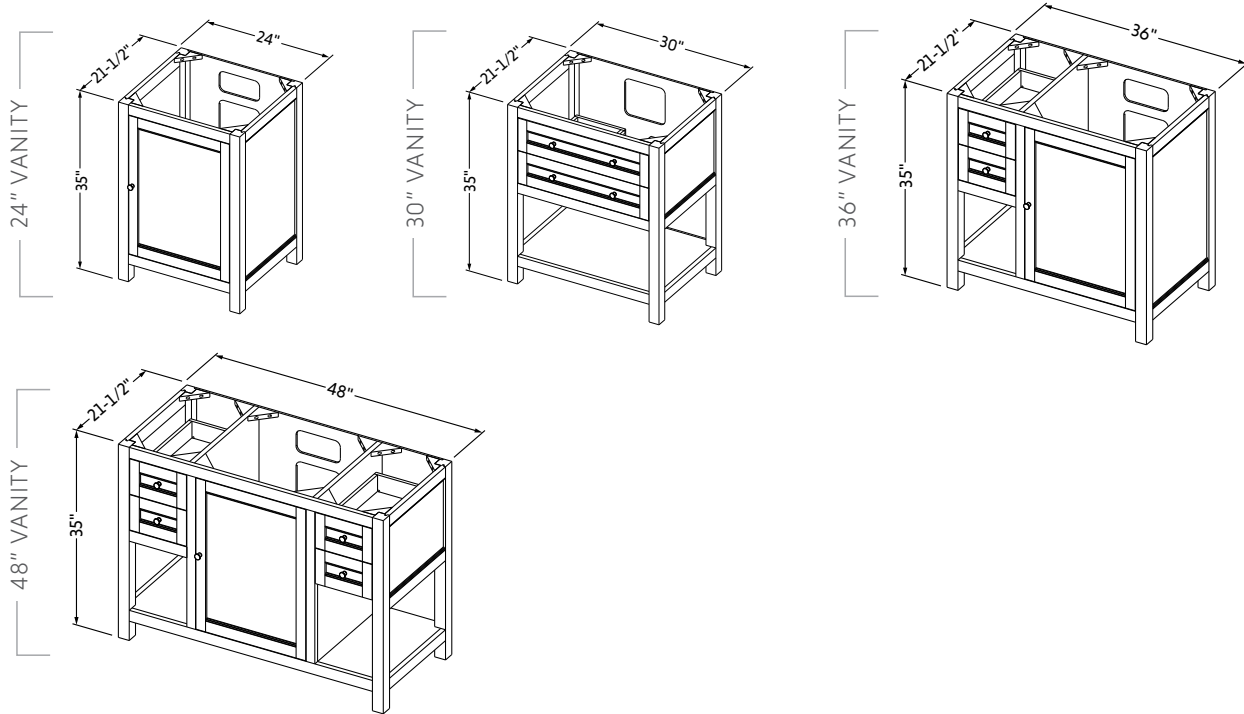
ADLER - RETIRED



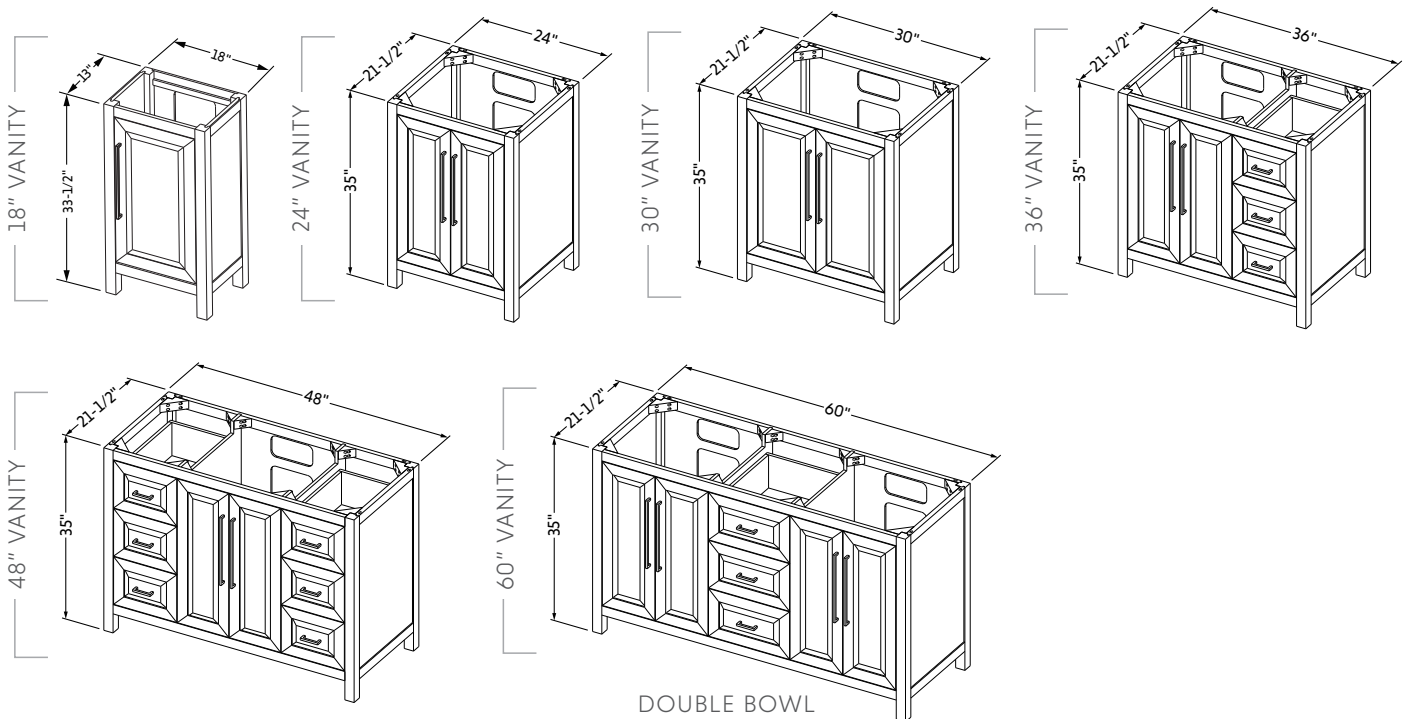
Vanity Specifications

JEFFREY ALEXANDER®
by Hardware Resources

ASTORIA - RETIRED

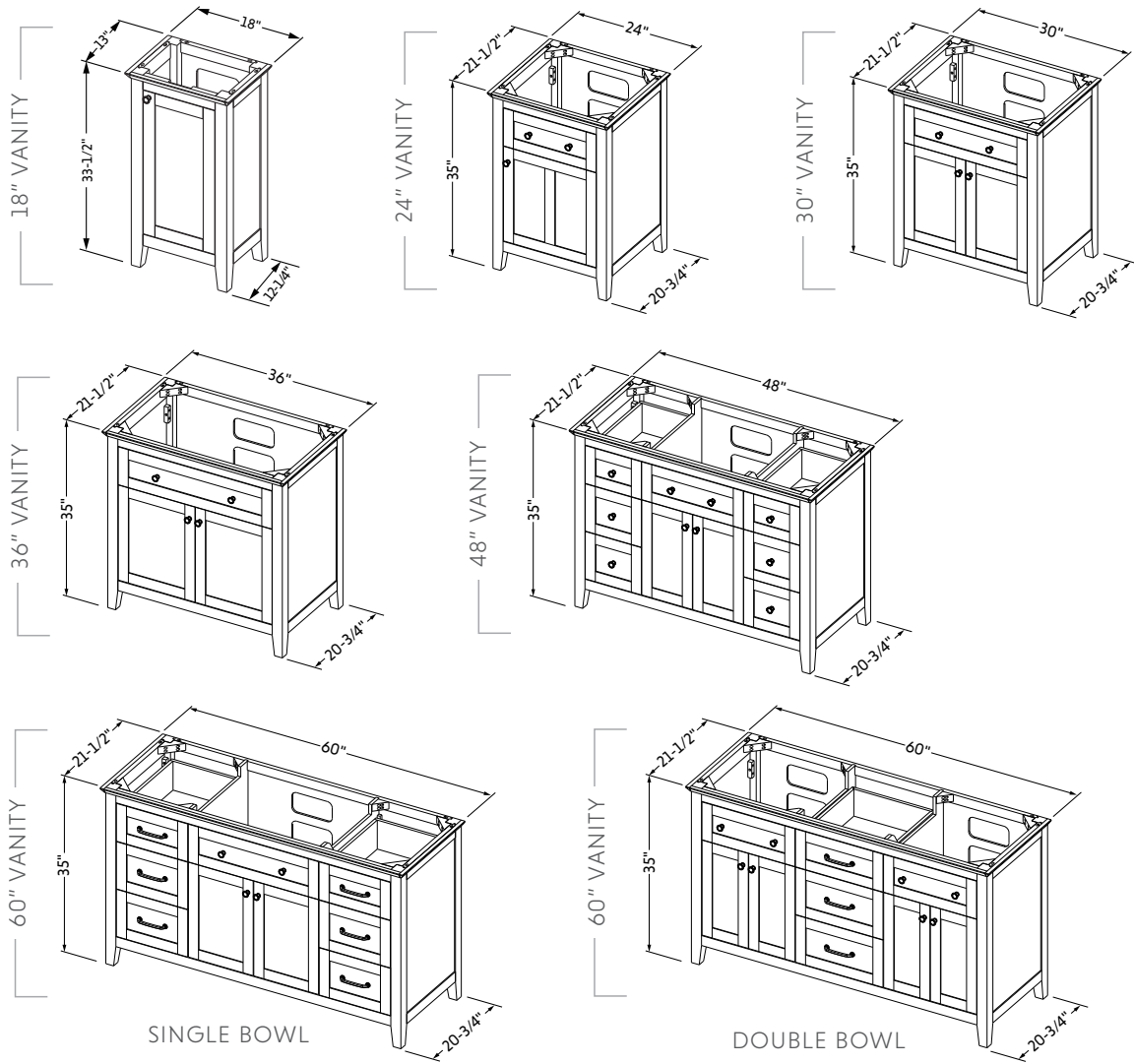


CADE

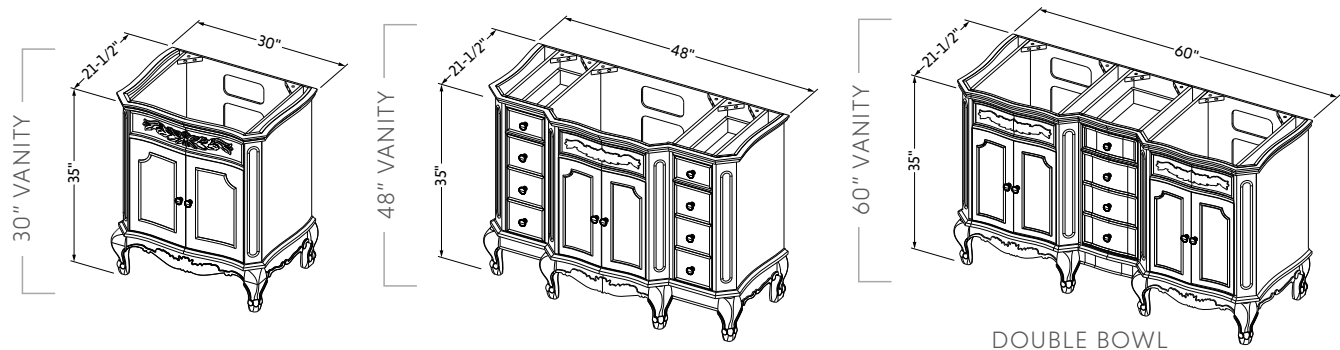


Vanity Specifications

CHATHAM

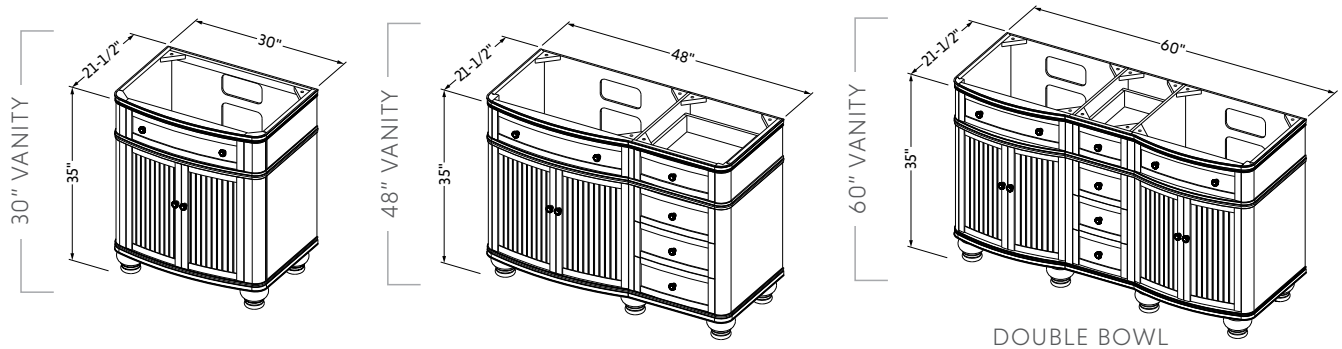


CLAIREMONT - RETIRED

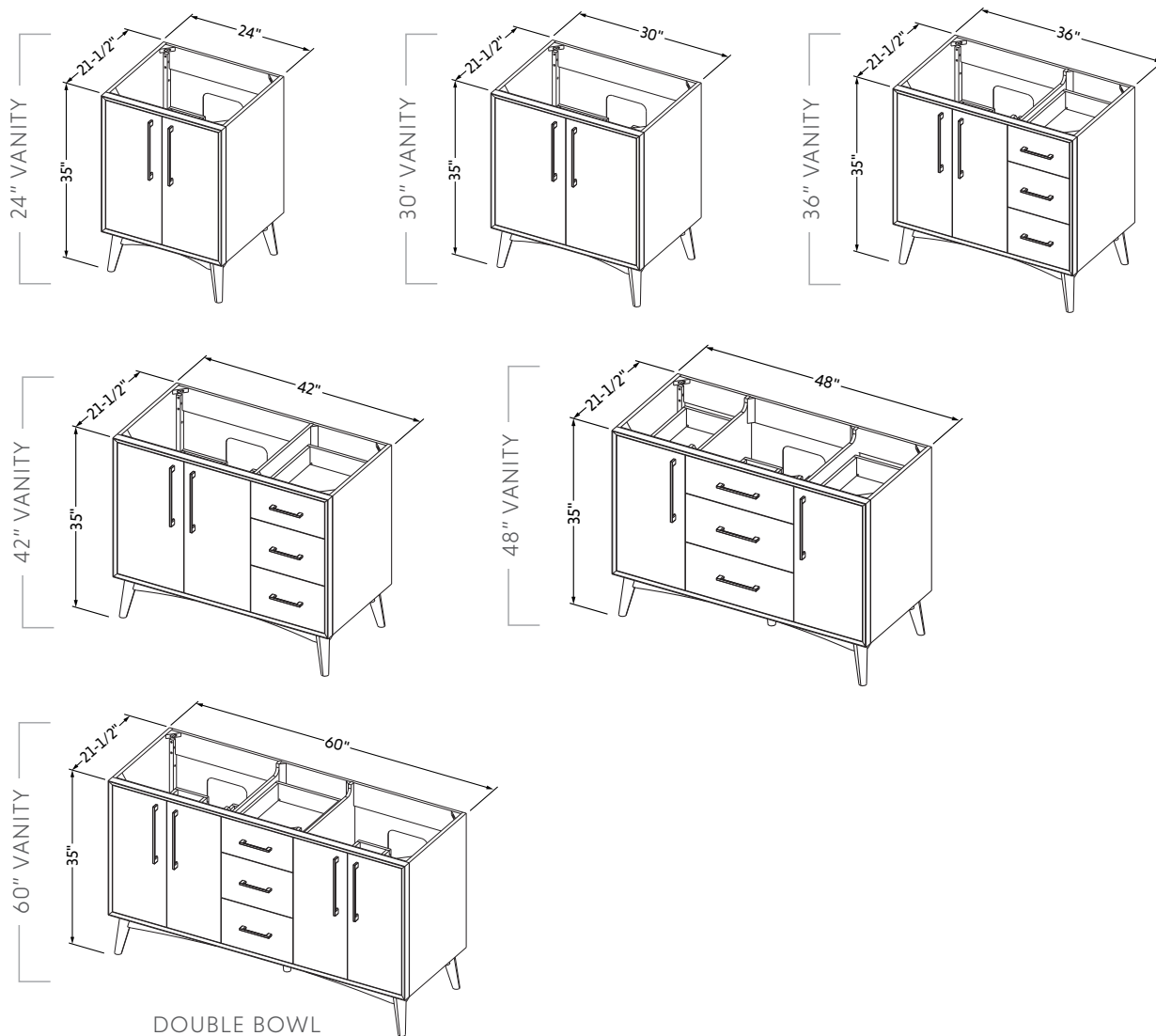


Vanity Specifications

COMPTON - RETIRED

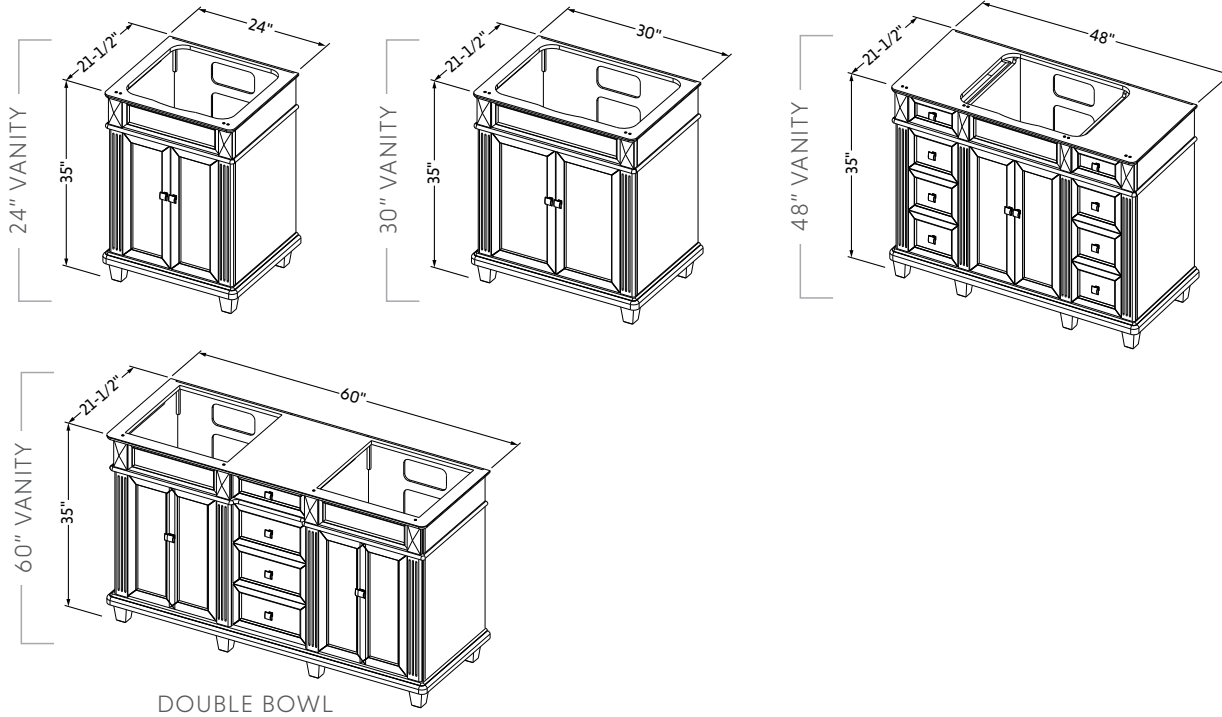


DASHWOOD



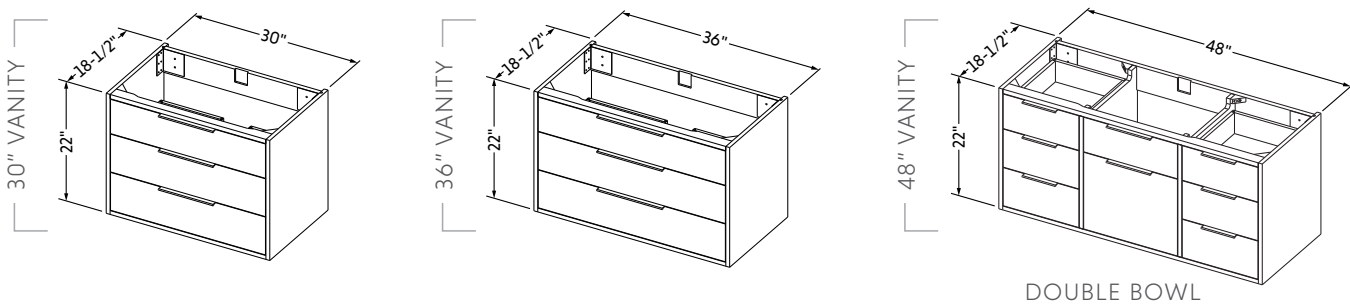
Vanity Specifications

DOUGLAS - RETIRED



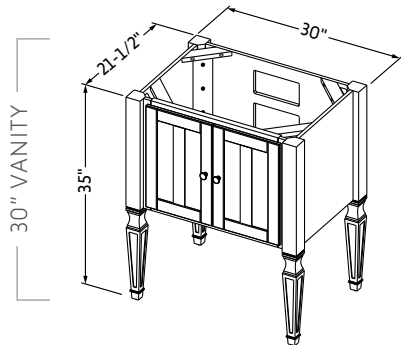
GARDNER

See page 12 for leg options.

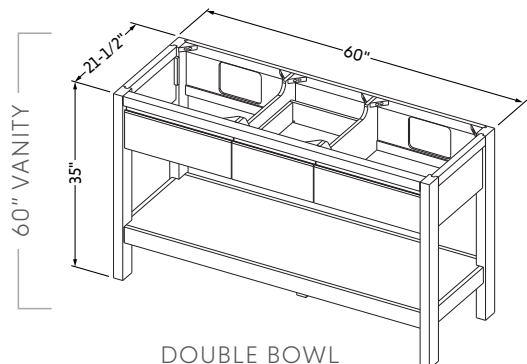
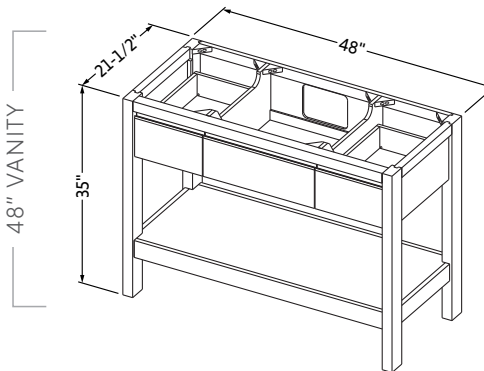
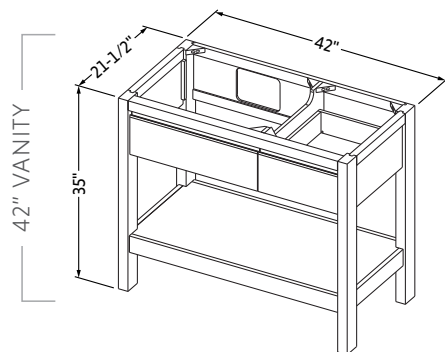
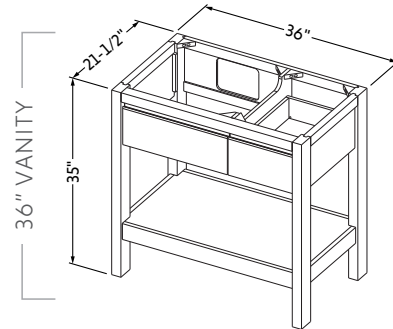
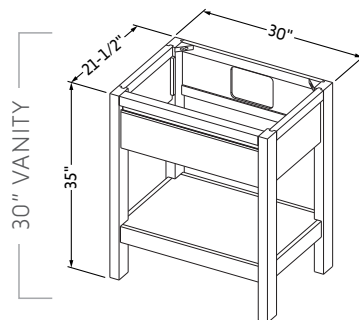
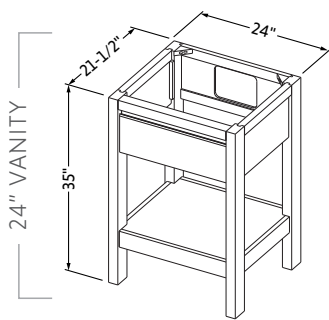


Vanity Specifications

JENSEN - RETIRED

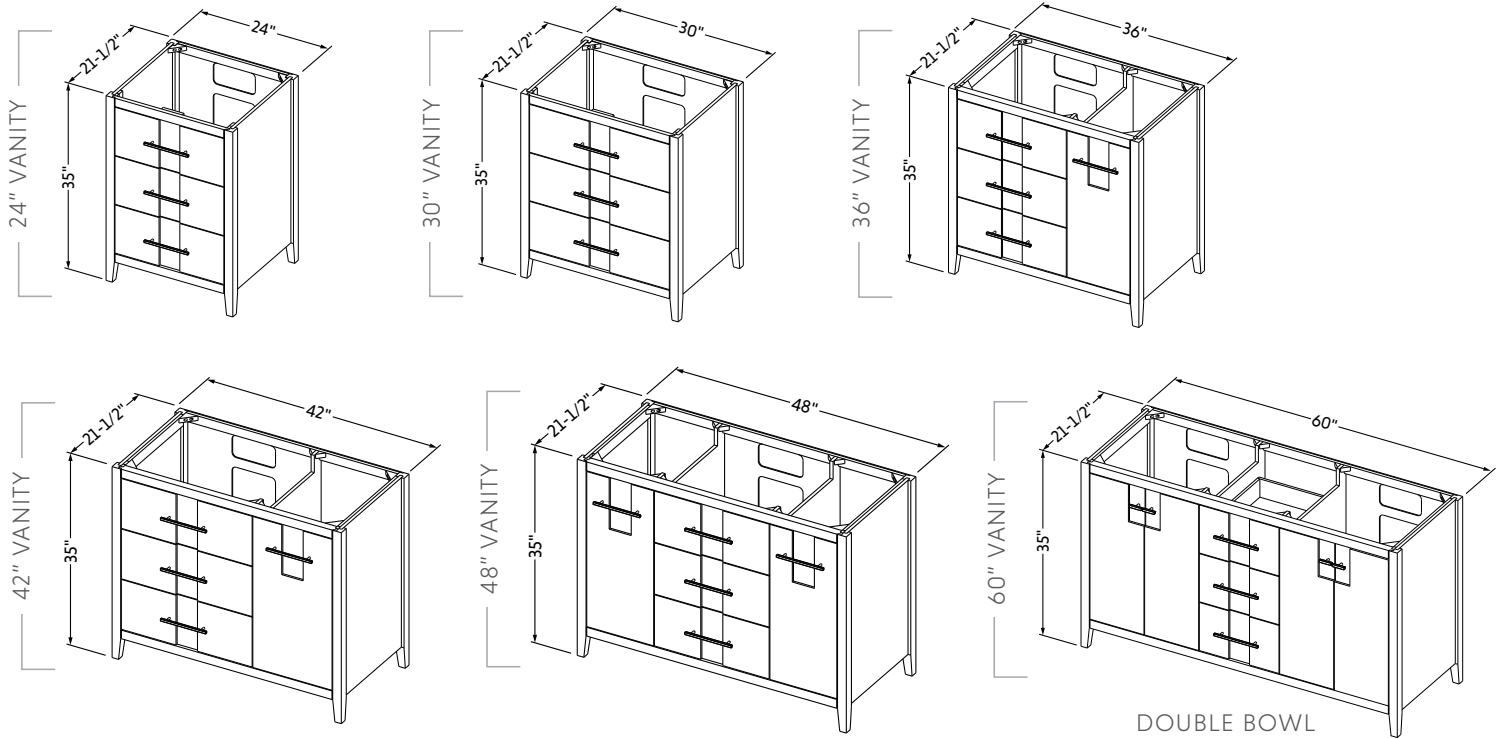


JUBILEE

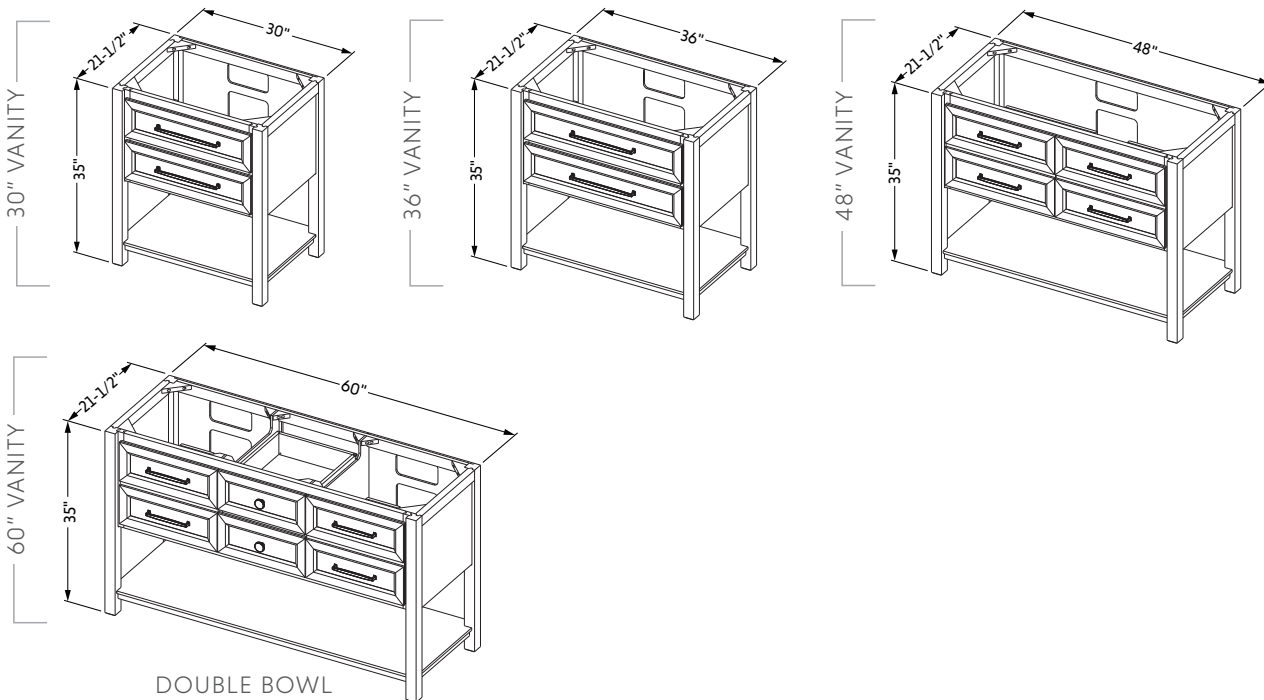


Vanity Specifications

KATARA

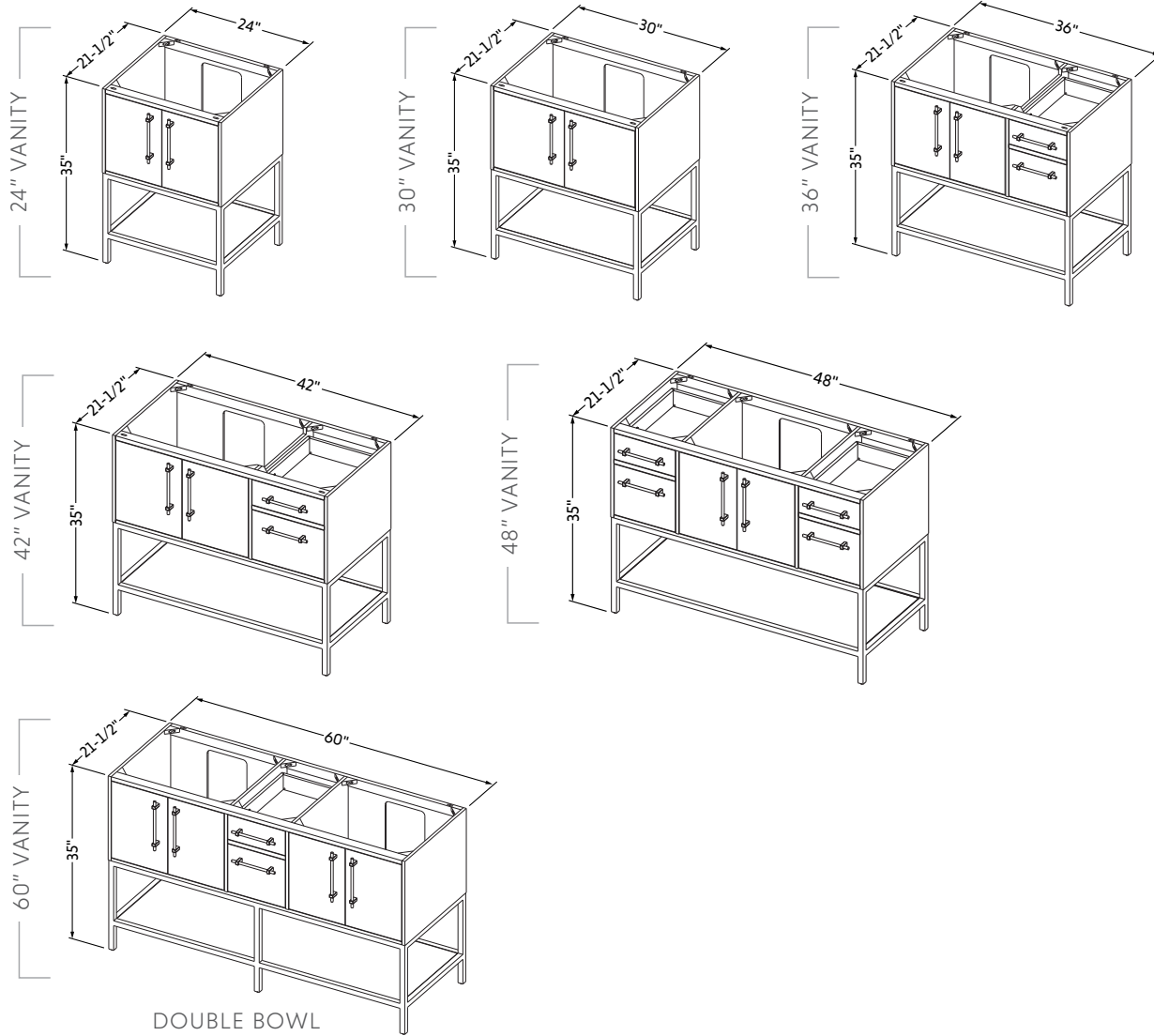


KIPLING

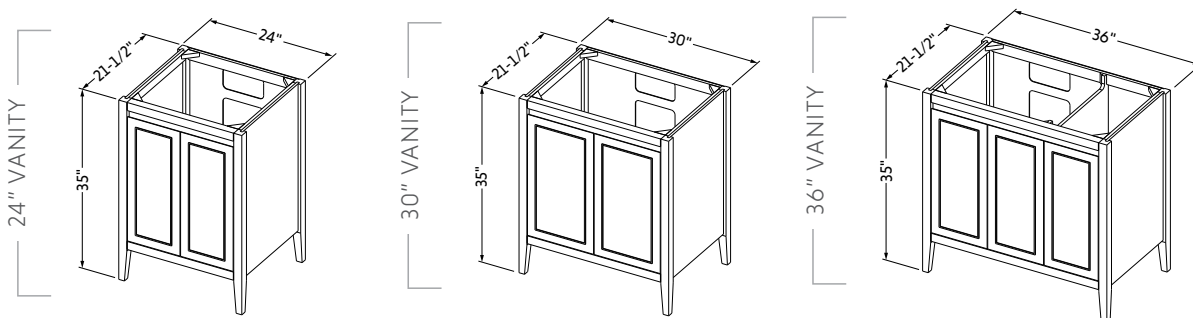


Vanity Specifications

PASCAL

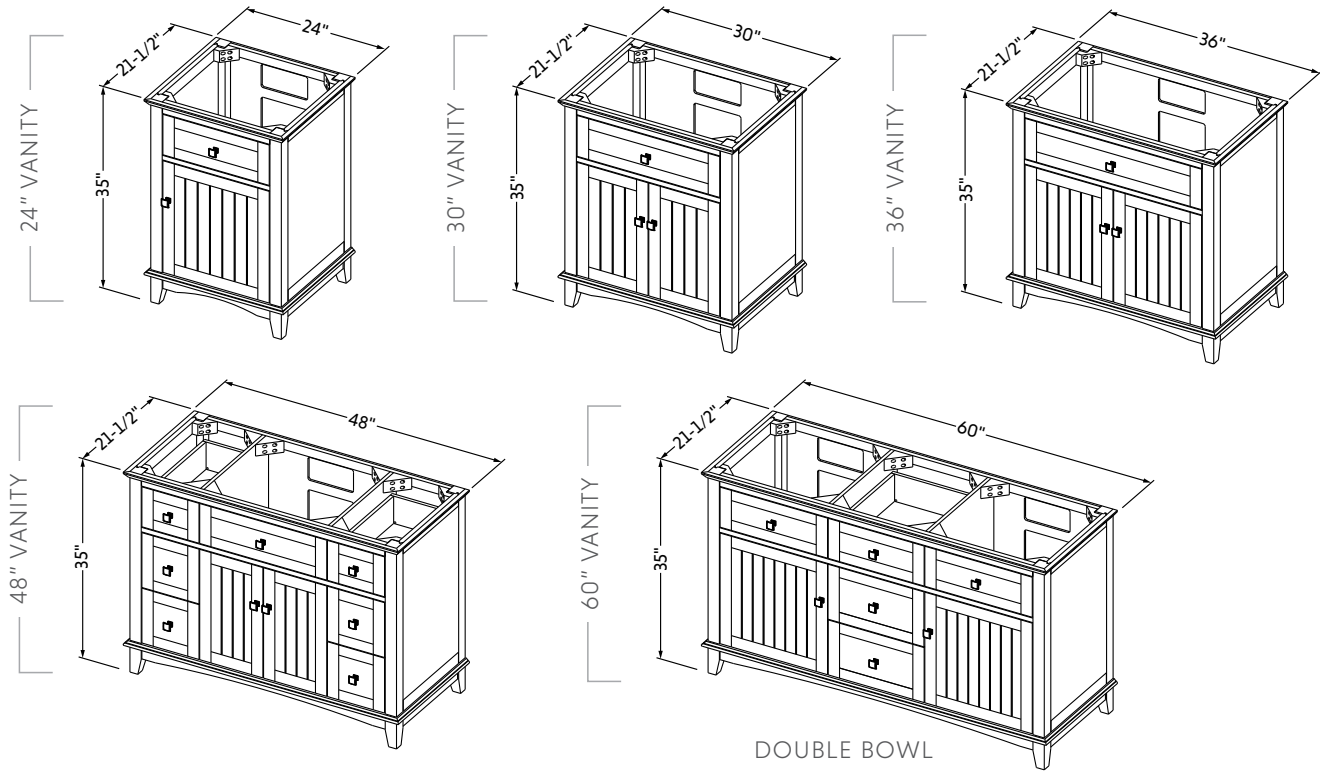


PERCIVAL



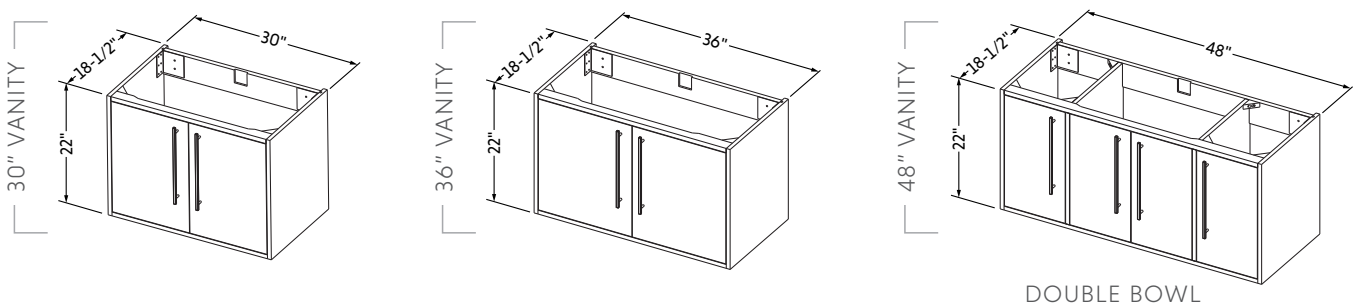
Vanity Specifications

SAVINO - RETIRED



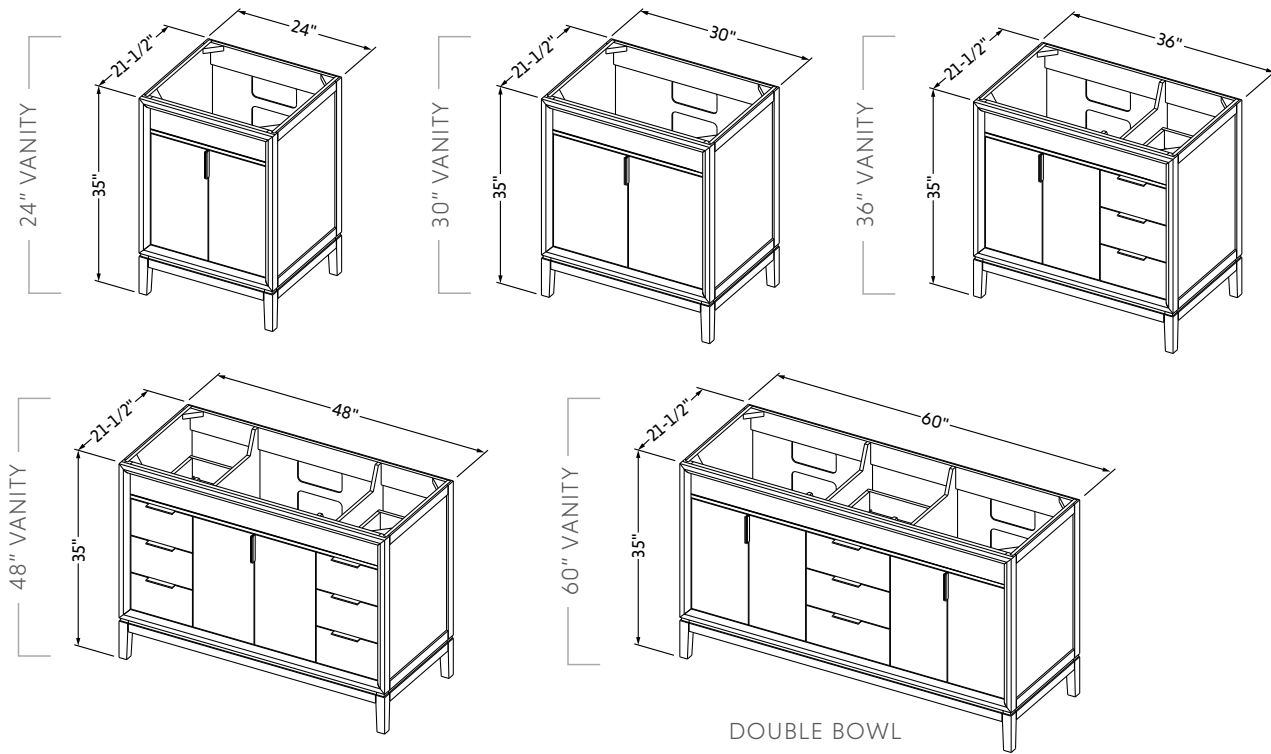
TEMPEST

See page 12 for leg options.

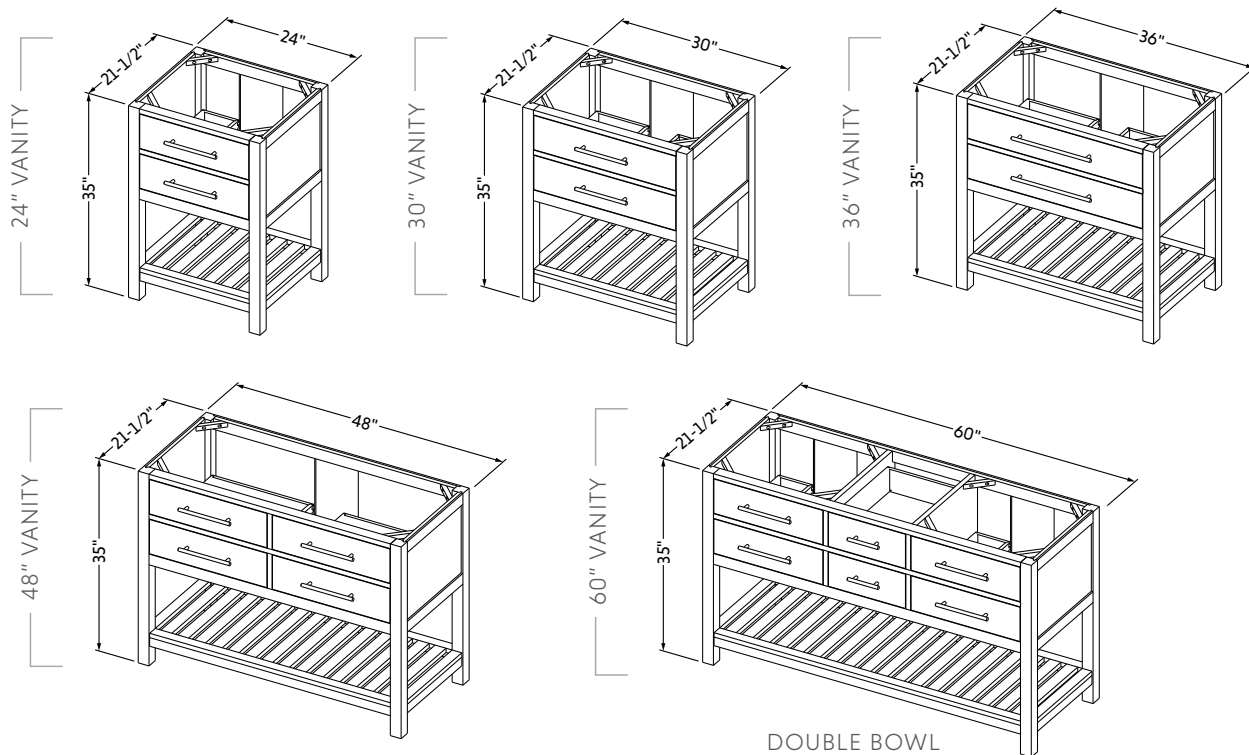


Vanity Specifications

THEODORA



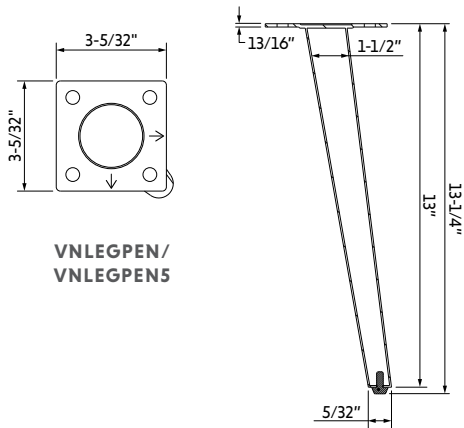
WAVECREST



Leg Specifications

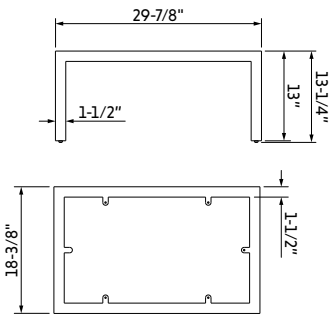
Only used with the Gardner & Tempest collections.

METAL PENCIL LEGS

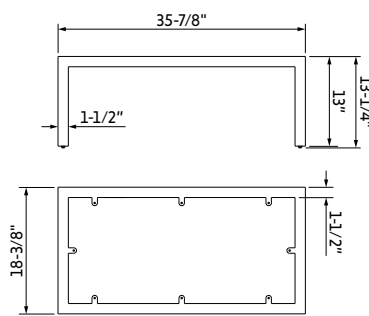


VNLEGPEN/
VNLEGPEN5

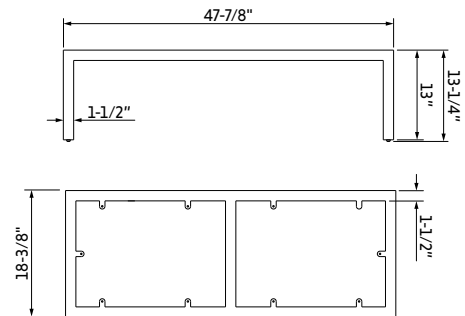
SQUARE STEEL FRAME LEGS



VNLEGSQ30



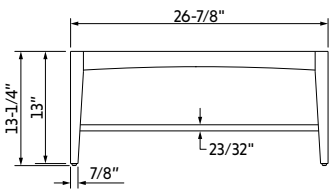
VNLEGSQ36



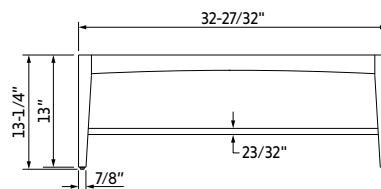
VNLEGSQ48

WOOD LEGS

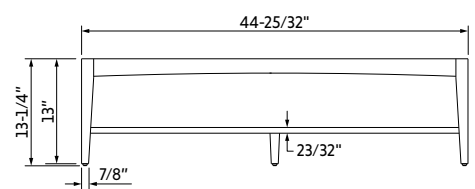
xx = finish placeholder



VNLEGWD30xx



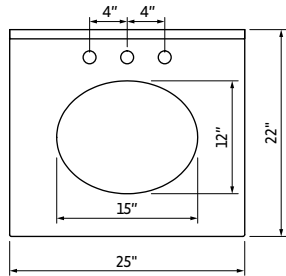
VNLEGSQ36xx



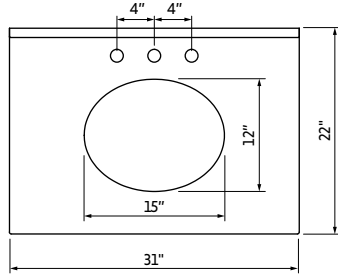
VNLEGSQ48xx

OVAL BOWL

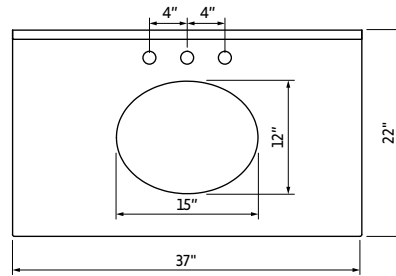
The below vanity tops with oval cutouts fit all of the vanity collections (except Clairemont & Compton).
Special top configurations are marked with asterisks. xx = top material placeholder



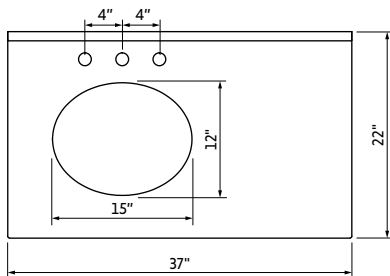
TOPO25xx



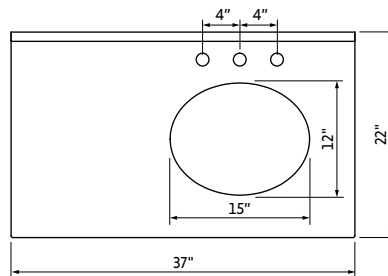
TOPO31xx



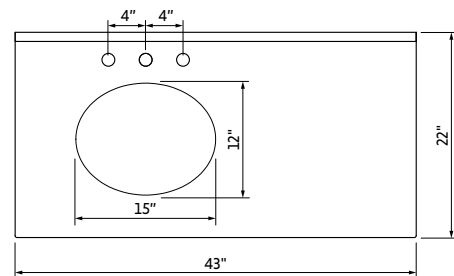
TOPO37xx



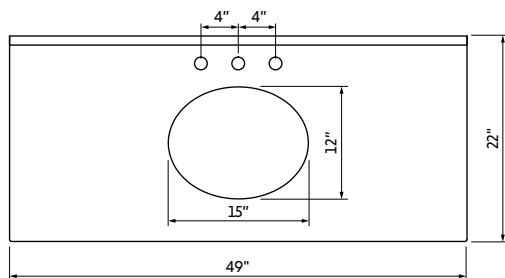
TOPO37xxCAD-ADD*



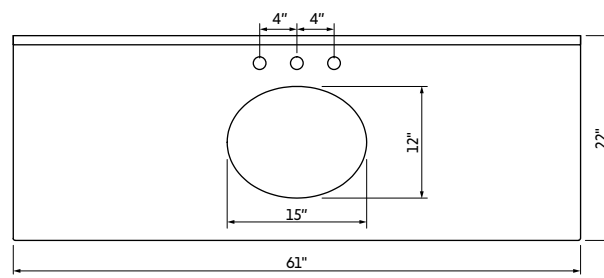
TOPO37xxAST**



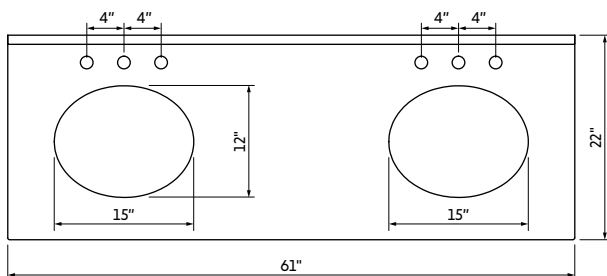
TOPO43xx-LFT****



TOPO49xx



TOPO61Sxx***



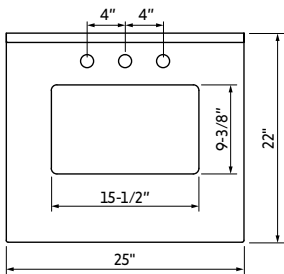
TOPO61xx

*Fits the 36" Cade, Dashwood, Jubilee, Katara, Pascal, Percival, Theodora, and Addington vanities only.

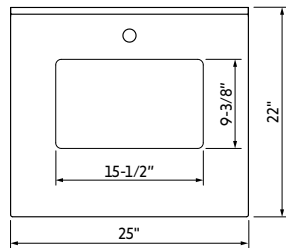
Fits the 36" Astoria vanity only. *Fits the 60" single bowl vanity only. ****Fits the 42" Dashwood, Jubilee, Katara, and Pascal vanities only.

RECTANGLE BOWL

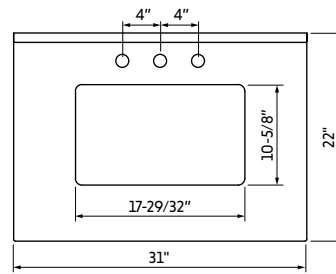
The below vanity tops with rectangle cutouts fit all of the vanity collections (except Clairemont & Compton). Special top configurations are marked with asterisks. xx = top material placeholder



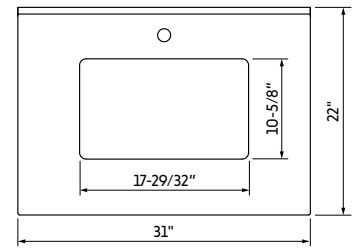
TOPR25xx



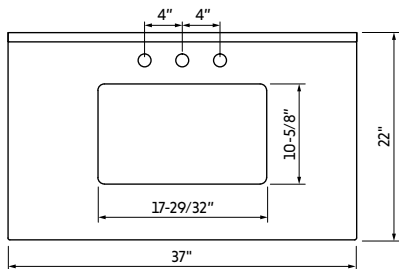
TOPR25WQ-1****



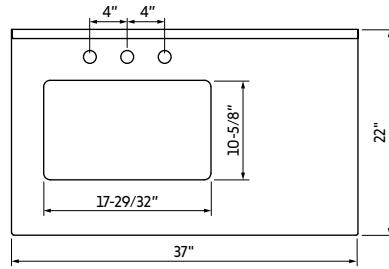
TOPR31xx



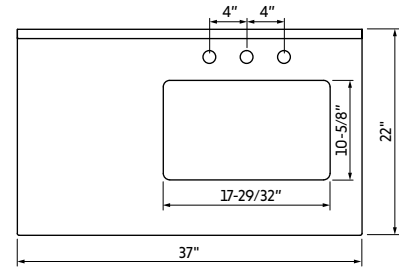
TOPR31WQ-1****



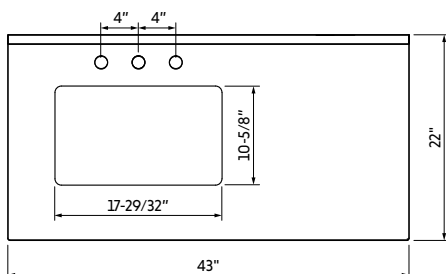
TOPR37xx



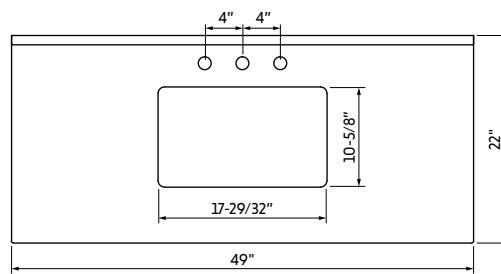
TOPR37xxCAD-ADD*



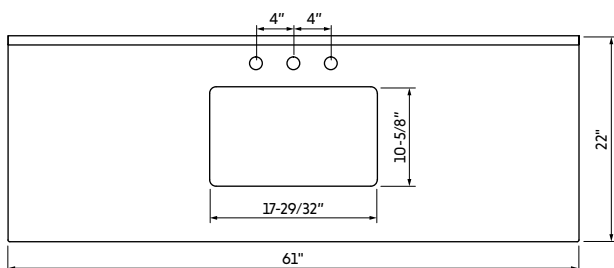
TOPR37xxAST**



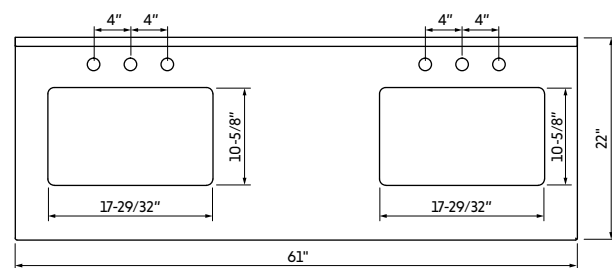
TOPR43xx-LFT****



TOPR49xx



TOPR61Sxx***

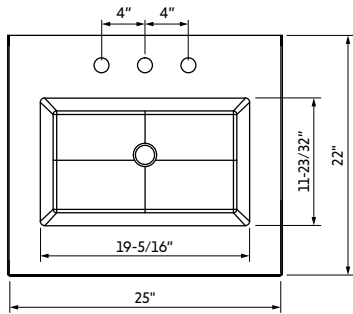


TOPR61xx

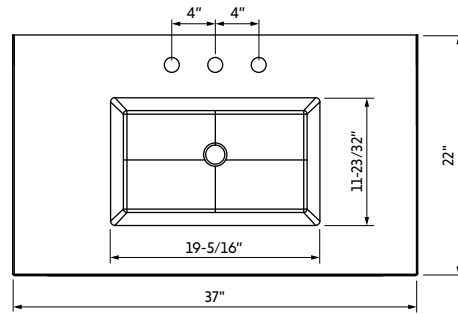
*Fits the 36" Cade, Dashwood, Jubilee, Katara, Pascal, Percival, Theodora, and Addington vanities only. **Fits the 36" Astoria vanity only.
Fits the 60" single bowl vanity only. *Fits the 42" Dashwood, Jubilee, Katara, and Pascal vanities only. *****Only available in White Quartz top material.

INTEGRATED BOWL: LAVANTE MATERIAL†

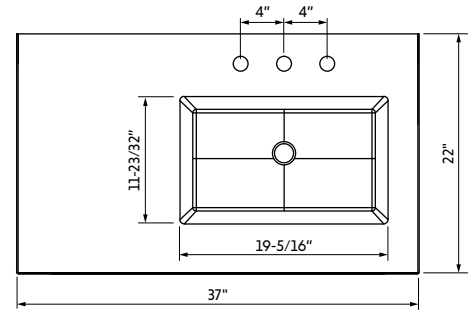
The below vanity tops with integrated rectangle bowl fit all of the vanity collections (except Clairemont & Compton). Special top configurations are marked with asterisks.



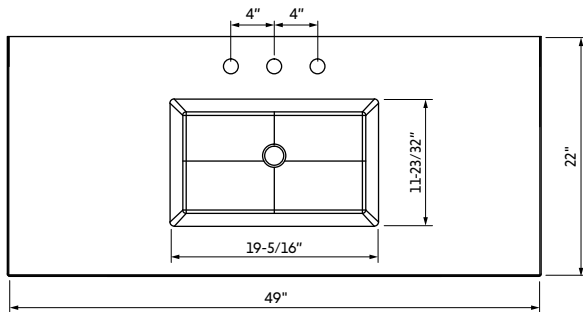
TOPR25LA



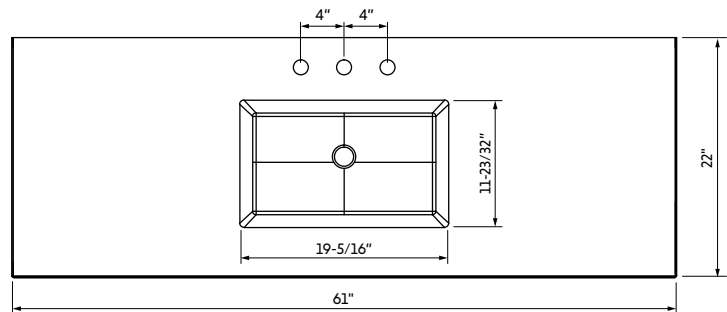
TOPR37LA



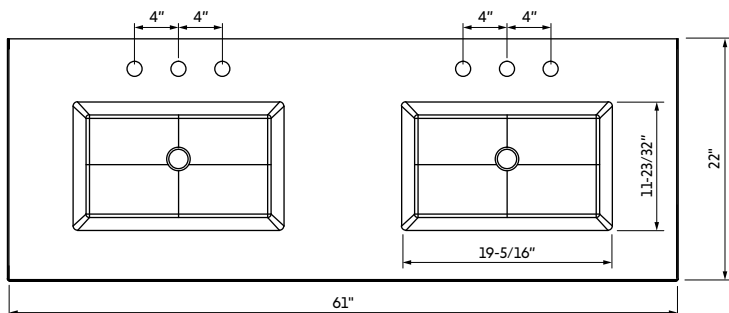
TOPR37LAAST**



TOPR49LA



TOPR61SLA***



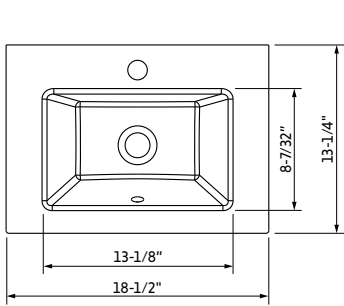
TOPR61LA

†Fits the 36" Cade, Dashwood, Jubilee, Katara, Pascal, Percival, Theodora, and Addington vanities only.

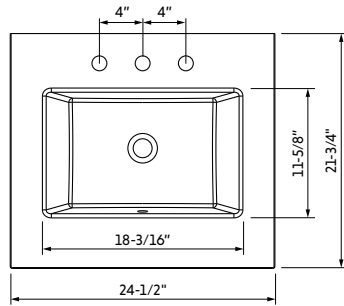
Fits the 36" Astoria vanity only. *Fits the 60" single bowl vanity only

INTEGRATED BOWL: WHITE STONE RESIN MATERIAL

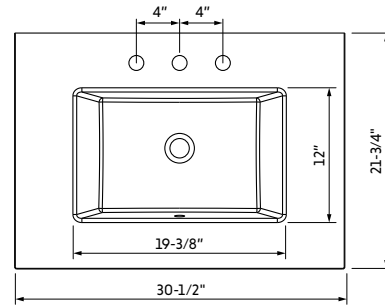
The below vanity tops with integrated rectangle bowl fit all of the vanity collections (except Clairemont & Compton). Special top configurations are marked with asterisks. These vanity tops are designed to have 1/4" overhang on the sides and front of the vanity.



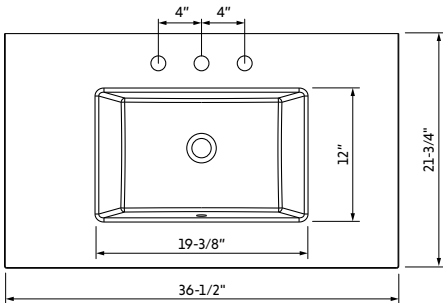
TOPR19RE-1



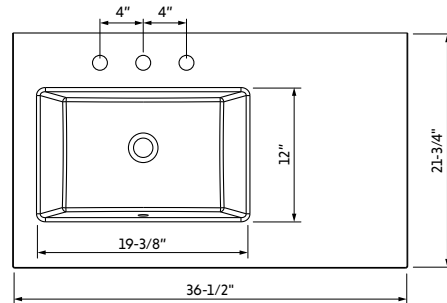
TOPR25RE



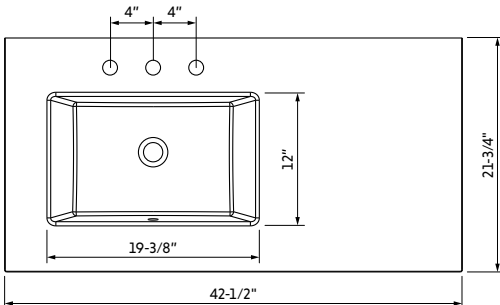
TOPR31RE



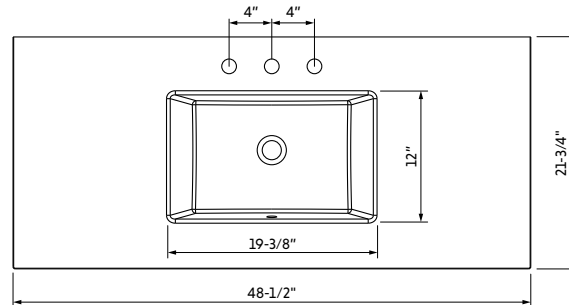
TOPR37RE



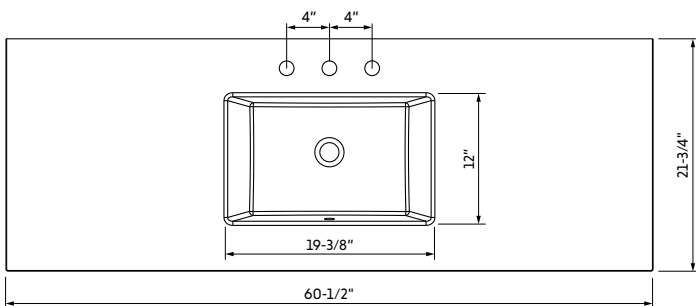
TOPR377RE-LFT*



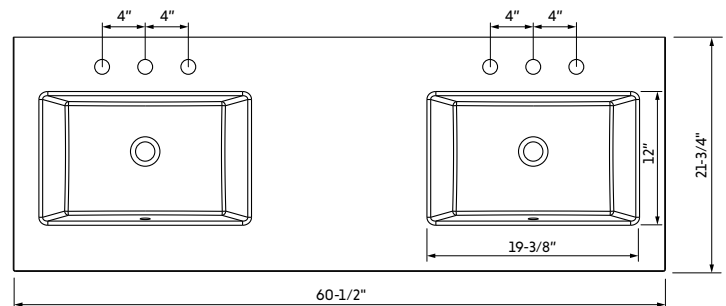
TOPR43RE-LFT***



TOPR49RE



TOPR61SRE**



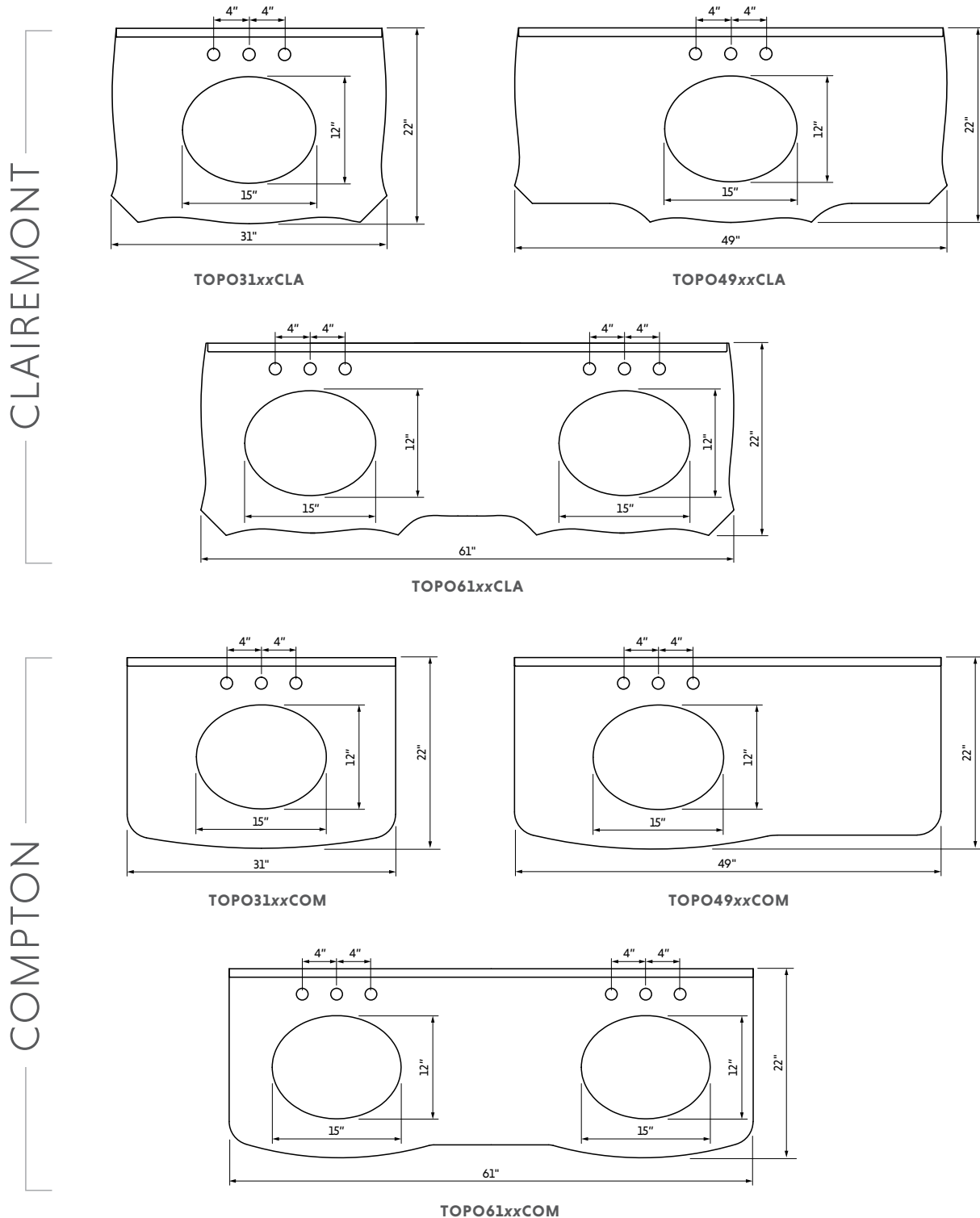
TOPR61RE

*Fits the 36" Cade, Dashwood, Jubilee, Katara, Pascal, Percival, Theodora, and Addington vanities only.

Fits the 60" single bowl vanity only. *Fits the 42" Dashwood, Jubilee, Katara, and Pascal vanities only.

OVAL BOWL: CLAIREMONT & COMPTON VANITIES†

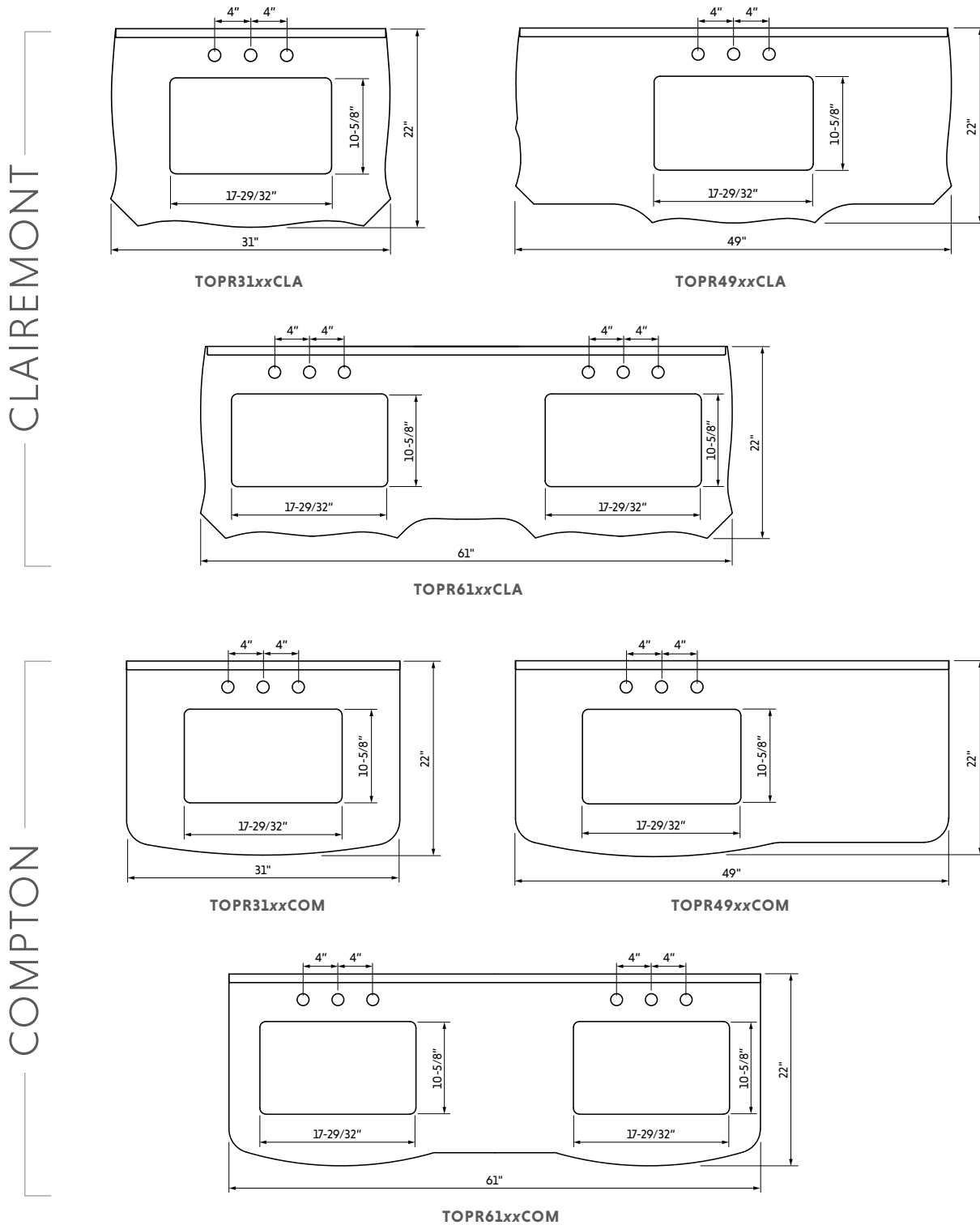
The below vanity tops with oval cutouts fit the Clairemont and Compton collections which have custom-shaped tops.
xx = top material placeholder



†This top is retired. Please call for availability.

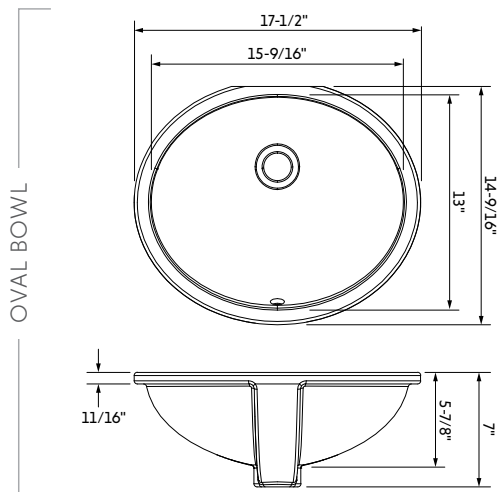
RECTANGLE BOWL: CLAIREMONT & COMPTON VANITIES†

The below vanity tops with rectangle cutouts fit the Clairemont and Compton collections which have custom-shaped tops.
xx = top material placeholder

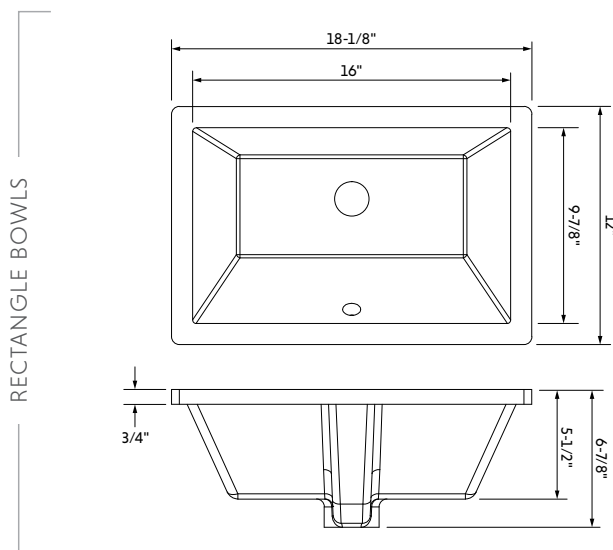


†This top is retired. Please call for availability.

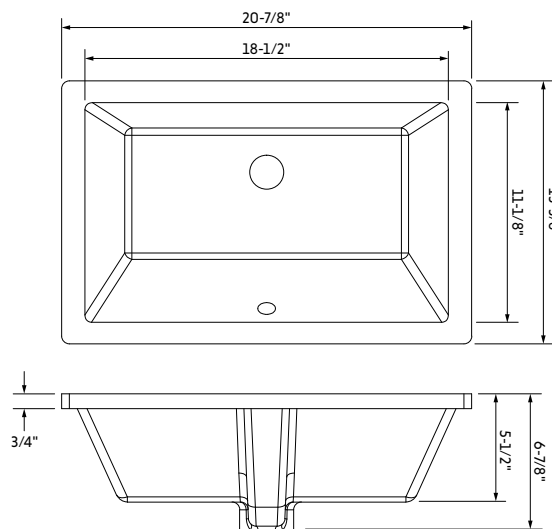
Bowl Specifications



VN2-OVAL-15



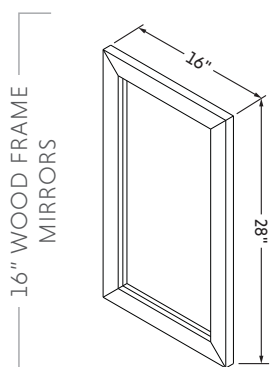
VN2-RECT-16



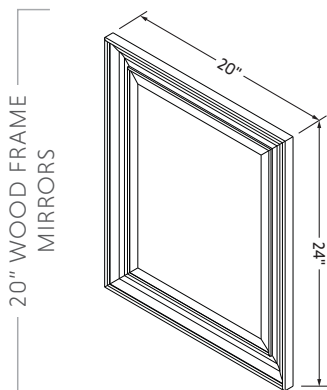
VN2-RECT-19

Mirror Specifications

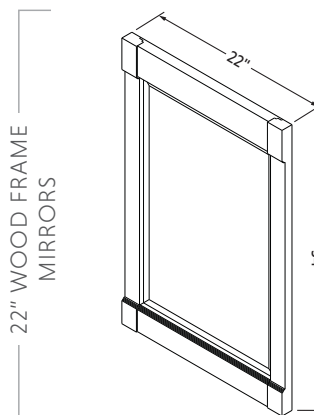
xx = finish placeholder



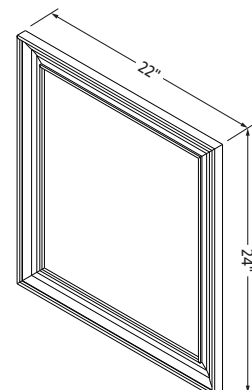
MIR2CAD-16-xx



MIR2DOU-20-xx[†]



MIR2AST-22-xx[†]



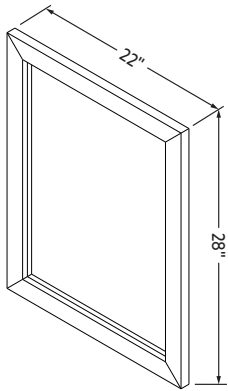
MIR2JEN-22-xx[†]

[†]This mirror is retired. Please call for availability.

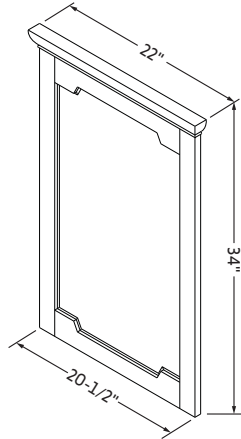
Mirror Specifications

xx = finish placeholder

22" WOOD FRAME
MIRRORS

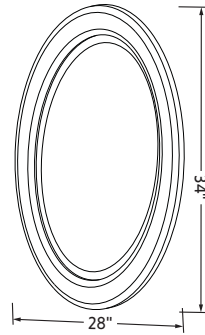


MIR2CAD-22-xx



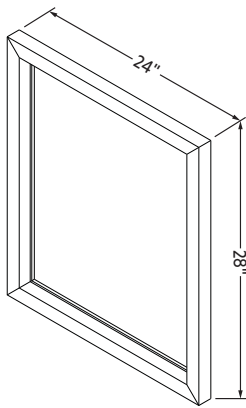
MIR2CHA-22-xx

23" WOOD FRAME
MIRRORS

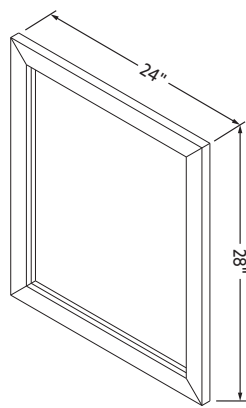


MIR2CLA-24-xx†

24" WOOD FRAME
MIRRORS

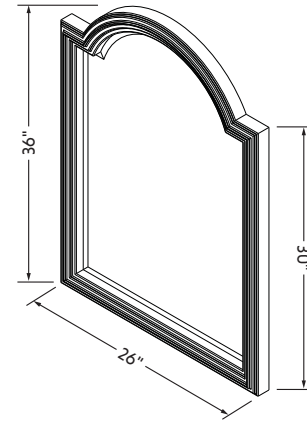


MIR2ADL-24-xx†



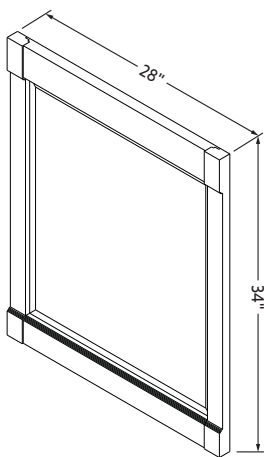
MIR2CAD-24-xx

26" WOOD FRAME
MIRRORS

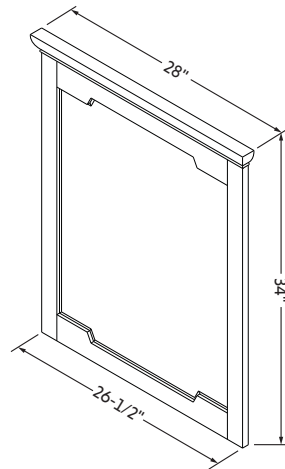


MIR2COM-26-xx†

28" WOOD FRAME
MIRRORS

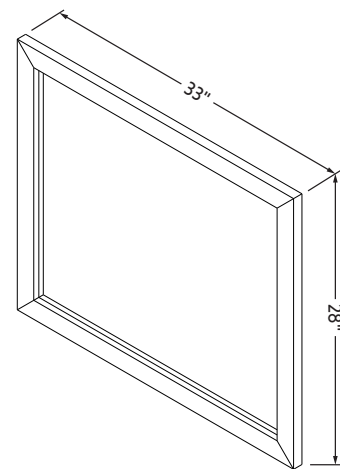


MIR2AST-28-xx†



MIR2CHA-28-xx

33" WOOD FRAME
MIRRORS



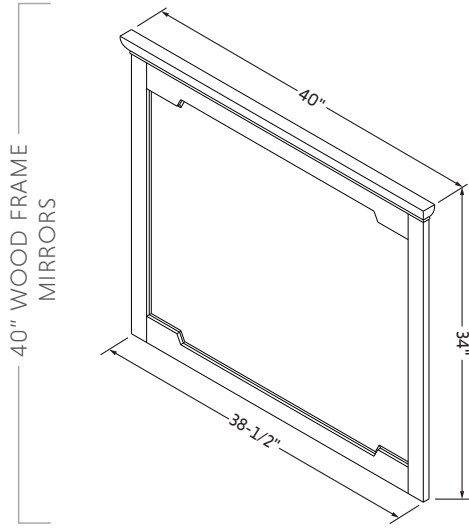
MIR2CAD-33-xx

†This mirror is retired. Please call for availability.

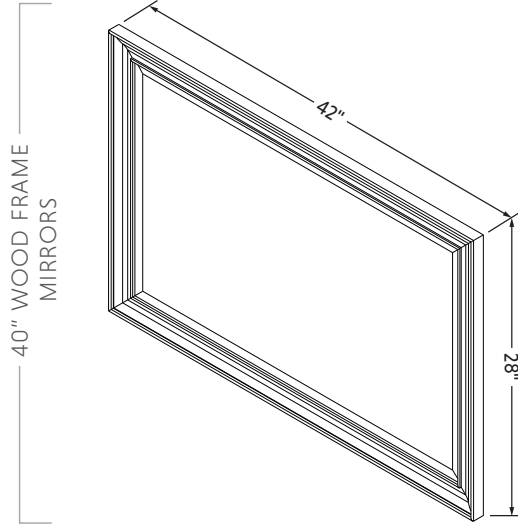
Mirror Specifications

xx = finish placeholder

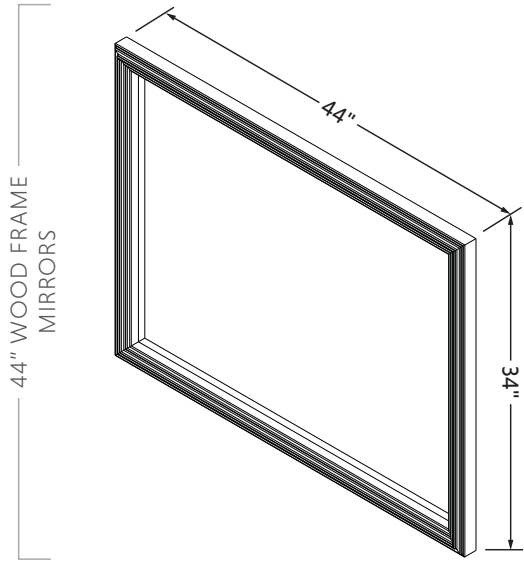
JEFFREY ALEXANDER®
by Hardware Resources



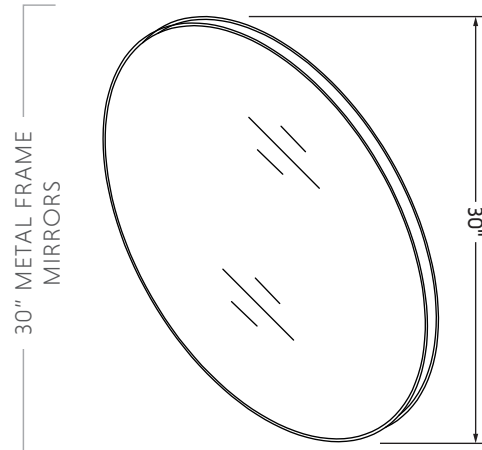
MIR2CHA-40-xx



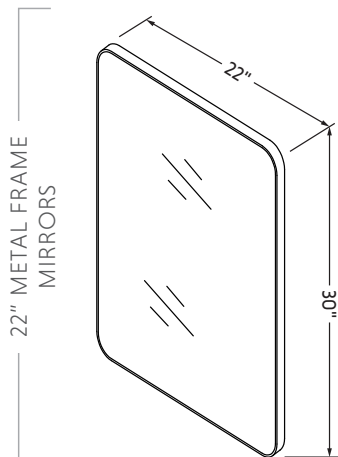
MIR2DOU-42-xx[†]



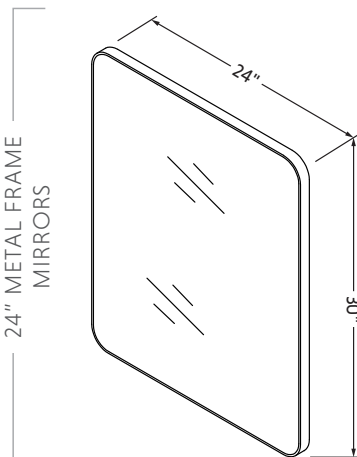
MIR2COM-44-xx[†]



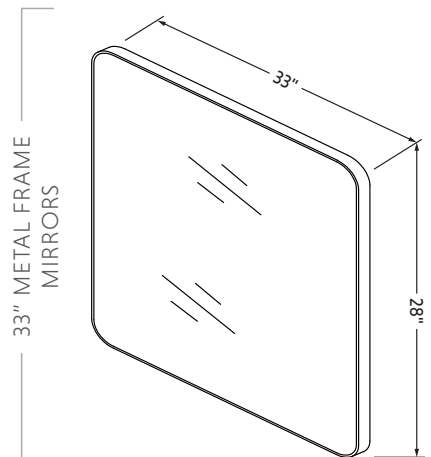
VMIR-METC-30xx



VMIR-METR-22xx



VMIR-METR-24xx



VMIR-METR-33xx

[†]This mirror is retired. Please call for availability.