



FUNCTIONAL HARDWARE & WOOD PRODUCTS

DRAWER SLIDES • CABINET HINGES
DECORATIVE WOOD & MOULDING • DOVETAIL DRAWER BOXES



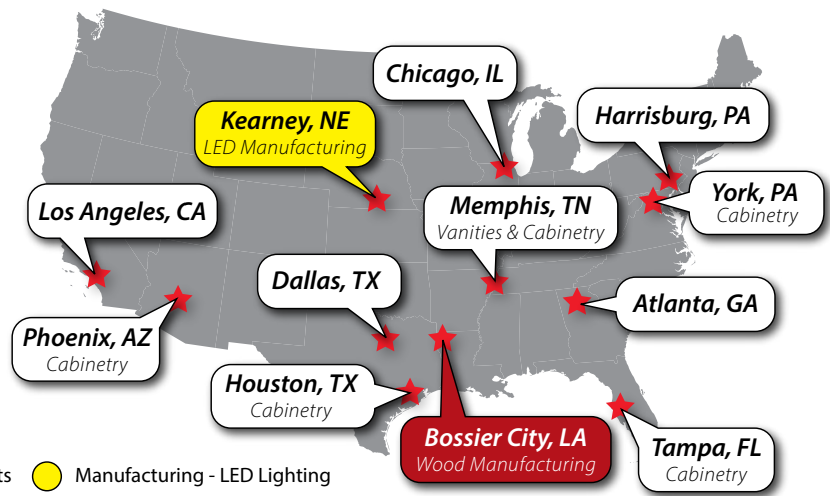
hardware
resources[®]

2023

hardware resources®

Founded in 1990, Hardware Resources is part of Dimora Brands, a leading manufacturer for the kitchen and bath industry.

Manufacturing facilities are located in Louisiana, Nebraska and around the world. Company-owned warehouses around the US ensure fast delivery, typically in 1-3 days. 99% of orders ship within 24 hours (unless custom built-to-order product).



○ Warehouse/Distribution ● Manufacturing - Wood Products ● Manufacturing - LED Lighting

NORTH POINT CABINETRY®

A wide array of fast-to-assemble cabinets, providing value with a quality, custom look

- » Kitchen Cabinets
- » Bath Vanity Cabinets

JEFFREY ALEXANDER® by Hardware Resources

A step above...in quality, selection and exclusive designs

- » Knobs & Pulls
- » Designer Bath Vanities

hardware resources®

Everything for the cabinets, sold direct to our dealers, for greater efficiency, faster delivery, outstanding service, and best value

- » Cabinet Organizers
- » Closet Organizers
- » Functional Cabinet Hardware
- » Decorative Wood & Linear Moulding
- » Dovetail Drawer Boxes
- » Stainless Steel Sinks

ELEMENTS® by Hardware Resources

The essentials and more, priced right

- » Knobs & Pulls
- » Decorative Hooks
- » Bath Hardware

TASK™ lighting & power

Angle Power Strip products for tucked-away electrical outlets

- » Angle Power Strip
- » Lighted Power Strip

Professional-grade LED lighting, 90+ CRI and UL Listed

- » LED Lighting Fixtures
- » LED Tape Lighting
- » LED Tape Lighting Kits
- » Puck Lighting
- » Commercial LED Products

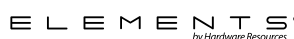
DIMORA BRANDS®

Dimora Brands operates leading brands in cabinet hardware, functional hardware, door hardware, faucets, vanities, organizers, decorative wood, lighting, accessories, and related products. Its two operating divisions, Top Knobs and Hardware Resources, are known for the industry's best product offering and service.

Each Dimora Brands division proudly serves kitchen cabinet dealers, kitchen and bath showrooms, custom cabinet makers, independent hardware stores, other customers, and the design community.

Dimora Brands' collection of industry-leading brands includes: Top Knobs, Atlas Homewares, Vesta, Watermark Designs, Water Street Brass, Du Verre, Hardware Resources, Jeffrey Alexander, Elements, Task Lighting, NorthPoint Cabinetry and KasaWare. More information is available at DimoraBrands.com.

The Dimora Brands collection of industry-leading brands includes the following:



hardware+resources

We're not just *hardware*,
We're also *resources* to help you grow.

Our resources for you...



A local Hardware Resources product specialist

We have over 100 Hardware Resources sales professionals. They work and live in your community. They are experts in the products we manufacture. They know your market. They know you.

Get a live person on the phone, not a machine

No one likes to talk to a machine. Call weekdays between 7:00 a.m. and 6:00 p.m. Central Time and get a friendly, live customer service representative, not a list of buttons to push.



You Buy. You Try. You Decide.

Place a Trial Order for any new-to-you functional products and try them out. If you're not satisfied we'll take them back. Guaranteed!



How the Trial Order program works

1. Place a Trial Order for slides & qualifying hinges and plates. Trial Orders can be combined with a regular order. We pay the freight on Trial Orders.
2. Test the products risk-free.
3. If you're not completely satisfied, call us. We'll give you immediate full credit on the Trial Order purchase. We'll arrange for the products to be picked up later – no need to save the original packaging, ship them back, etc. We make it easy. We would appreciate hearing your observations on the products.



How to order

1. Call **800-463-0660**
2. Use code **TRIAL-HINGE&SLIDE** for the Trial Order products

hardware
resources[®]

800.463.0660 | www.HardwareResources.com

Table of Contents

Functional Hardware

Testing & Certifications	11
What's New	12–15
Choosing the Right Slide	16–17
Undermount Drawer Slides	
Undermount Slide Comparison Chart	20–21
USE58-500 Dura-Close® Synchronized Soft-Close Slides	22–23
USE58-300 Dura-Close® Heavy Duty Soft-Close Slides	24–25
USE58 Standard Duty Soft-Close Slide Kit Series	26–27
NEW Undermount Adjustable Release Clips	28–29
Dura-Close® Metal Drawer Box System	30–31
Heavy Duty Metal Drawer Box System	32–33
Undermount Shelf Bracket	34
Video Resources for Undermount Slides	35
Ball Bearing Drawer Slides	
Ball Bearing Slide Comparison Chart	38–39
209FU Series Commercial Grade Slides	40–41
300FU Series Extra Heavy Duty Slides	42–43
303-200 Series Push-to-Open Slides	44–45
303-300 Series EZ Open Heavy Duty Soft-Close Slides	46–47
303FUSFT Series Heavy Duty Soft-Close Slides	48–49
303FU Series Heavy Duty Slides	50–51
303-50 Series 100 lb Standard Duty Slides	52–53
Keyboard Slides	54
Slide Mounting Kit	54
Video Resources for Ball Bearing Slides	55
Epoxy Drawer Slides	
Epoxy Slide Comparison Chart	57
5000 Series Self-Closing Slides	58–59
2000 Series Economy Self-Closing Slides	60–61
9400/9500 Series Double Captive Slides	62
Quick Tray Pilaster System	63
Slide and Hinge Installation Tool	64
Rear Slide Bracket Installation Tool	65
Barn Door Hardware	66–67
Choosing the Right Hinge	70–71
European Hinges	
European Hinge Comparison Chart	72–73
NEW 1750 Series Heavy Duty Adjustable Soft-Close Hinges	74–75
700 Series Heavy Duty Soft-Close Hinges	76–79
725 Series Heavy Duty Hinges	80–83
Mounting Plates for 1750, 725, 700 Series	84–85
Hinge & Plate Selection Guide for 1750, 725, 700	86–87
500 Series Standard Duty Hinges	88–92
Hinge Installation Tool	93
Mounting Plates for 500 Series	94–95
Hinge & Plate Selection Guide for 500 Series	96–97
45° Corner Overlay Hinge	98–99
90° Blind Corner Hinge	100–101
105° Pie Corner Hinge	102
130° Pie-Cut Corner Hinge	103
Compact Hinges	
Compact Hinge Comparison Chart	106–107
NEW 9390ADJ Series Dura-Close® Hinges with Adjustable Soft-Close	108–109
9390 Series Dura-Close® Soft-Close Hinges	110–111
8390 Series Dura-Close® Hinges	112–113
22855 Series Dual Pivot Soft-Close Hinges	114
22855 Series Dual Pivot Hinges	115
3390 Series Economical Hinges	116–117
Soft-Close Dampers	118–119
Hinge Accessories	120
Hinge Boring Machine & Accessories	121
Hinge Mounting Information	122–123

Decorative Hinges	
Self-Closing Overlay Hinge	124
Self-Closing 3/8" Inset Hinge	124
Self-Closing Full Wrap Around Hinges	125
Self-Closing Partial Wrap Around Hinge	126
Free-Swinging Full Wrap Around Hinges	127–128
Free-Swinging Partial Wrap Around Hinges	128–129
Institutional Hinges	130–131
Knife Hinges	132
Continuous (Piano) Hinge	132
Butler Tray Hinge	132
False Front Clips	132
Shutter Hardware	
Non-Mortise Hinges	133
Butt Hinges	134–135
Louver Pins	136
Button Catches	136
Drive Bits	139
Magnetic Bit Holders	139
Pozi Drive Screwdriver	139
Screw Selection Guide	138–139
Hardware Attachment Screws	
Flat Head Screws	140–142
Pan Head Screws	143
Oval Head Screws	144
Pan Washer Head Screws	144
Undercut Head Screws	145
Truss Head Screws	145
Euro Screws	146
Truss Head Machine Screws	146
Break Away Truss Head Machine Screws	146
Cabinet Assembly & Installation Screws	
Flat Head with Nib Screws	147
Trim Head Finishing Screws	148
Pocket Hole/Face Frame Screws	148
Bugle Head Drywall Screws	148
Standard Washer Head Screws	149
Large Washer Head Screws	150
Special Application Screws	
Confirmat Flat Head Screws	151
Draw Bolt	151
Connector Bolts	151
Hollow Wall Anchor	151
Countersunk Finishing Washers	151
Shelf Supports and Accessories	
Angled Supports	152
Spoon Supports	153
Standards & Clips	154
Pin Supports	154–155
Plastic Shelf Locks	155
Cabinet and Drawer Accessories	
Door Bumpers	156
Locks	156
Magnetic Catches	157
Roller Catches	158
Elbow Catches	158
Magnetic Touch Latches	158
Rectangular Strike Plates	158
Brackets and Miscellaneous Hardware	
Angled Corner Braces	159
Flat Mending Plates	160
Drawer Adjustment Brackets	160
Plastic Brackets	161
Mirror Hanging Brackets	161

Table of Contents

Commercial Hardware

Hinges	
Institutional Hinges	163
Standards & Brackets	
Heavy Duty Standards	164–165
Extra Heavy Duty Standards	166–167
Work Station Brackets	168–169
Grommets	
Cable Grommets	170
Trash Can Grommets	171
Connectors	
Two Piece Panel Connectors	172
Two Piece Connector Bolts	173
Confirmat Flat Head Screws	173
Catches	
Magnetic Catch	174
Magnetic Touch Latches	174
Elbow Catch	175
Strike Plates	175–176
Cabinet Locks	176–177
Shelf Supports	178–179
Adjustable Plastic Foot	180
Leg Levelers	181
Hanging File Accessories	182
Hanging File Kit	183
Wire Pulls	184

Decorative Wood & Moulding

Species	188–189
Warranty	189
Corbels Chart	190–191
Fireplace Corbels Chart	192
Posts & Legs Chart	193–195
Onlays & Appliqués Chart	196–197
Capitals Chart	197
Cabinet Feet Chart	198–199
Wood Display Towers	200–201
Decorative Wood	
Corbels	202–249
Countertop Support Brackets	250–251
Fireplace Corbels	252–255
Capitals	256–258
Onlays & Appliqués	259–267
Metal Onlay	263
Corner Posts	268–270
Corner Legs	271–273
Post Sleeves	274–275
Posts	276–311
Cabinet Feet	312–321
Metal Feet	321
Moulding	
Linear Foot Pricing	322
Moulding Multiples Quick Reference	323
Hand Carved Moulding	324–326
Crown	327–340
Rope	341–346

Dentil	347–349
Embossed	350
Base	351–353
Accent	354–355
Light Rail	356–358
Stemware	359
Beauty	360
Columns	361–363
Fluted Columns	364
Corners	365–366
Transition Blocks	367–369
Moulding Cornice Blocks	370
Rosettes	371–372
NEW Design Software Libraries	373

Dovetail Drawer Boxes

Dovetail Drawer Boxes	374–375
Rollouts & High-Back Rollouts	376
Drawer Box Linear Material	376
Complimentary Laser Engraving	377
Warranty	377
Custom Tray Organizers	378–379
In Stock Preassembled Rollout Drawers	380–381
Calculations for Ordering	382

Organizers Overview



Task Lighting & Power Overview

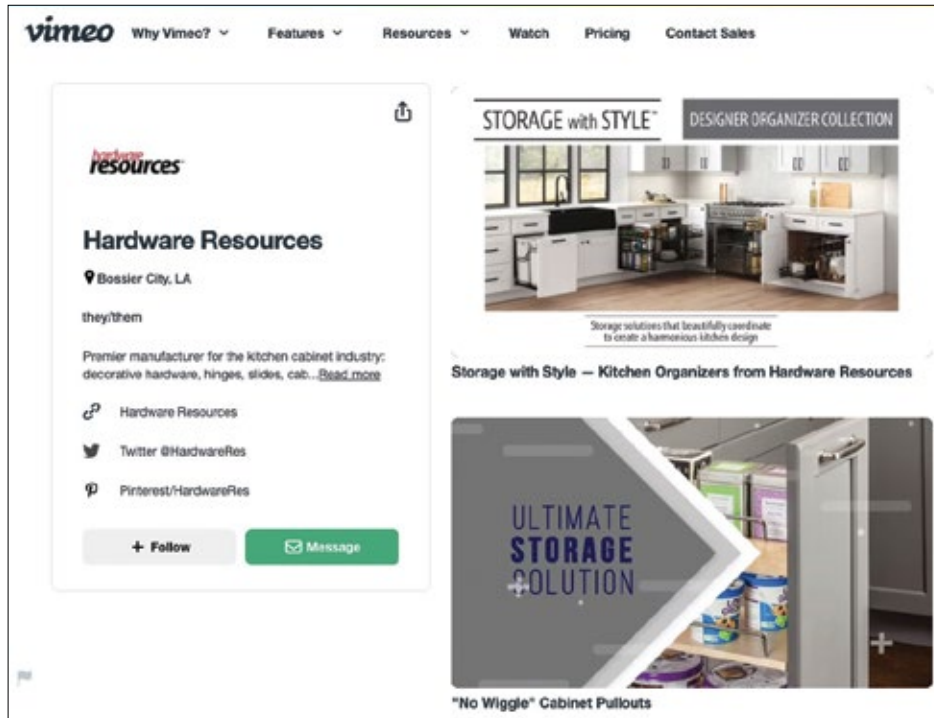


NorthPoint Cabinetry Overview

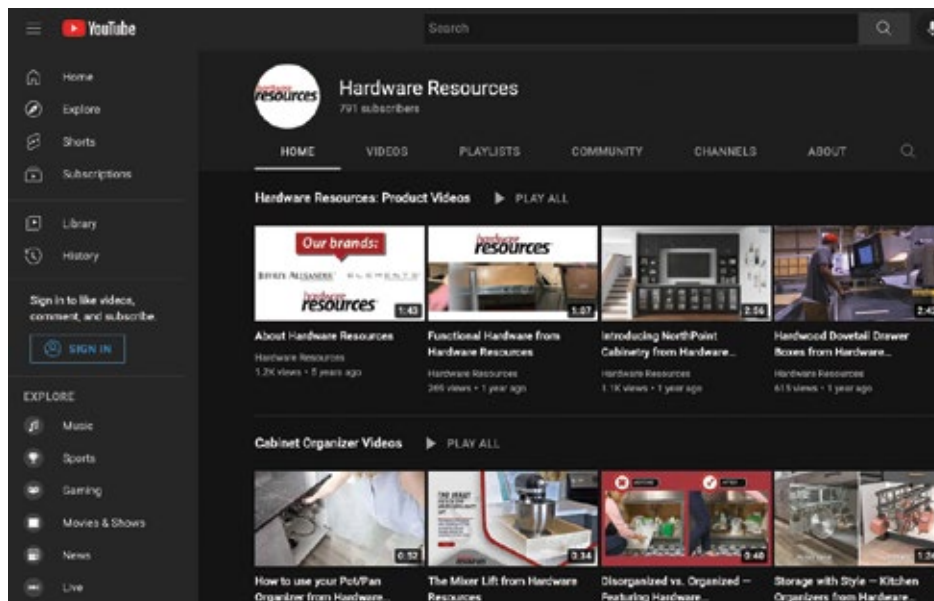
Digital Resources

Vast video libraries on Vimeo and YouTube

Need help installing an item? We probably have a video for that!



Vimeo.com/HardwareResources

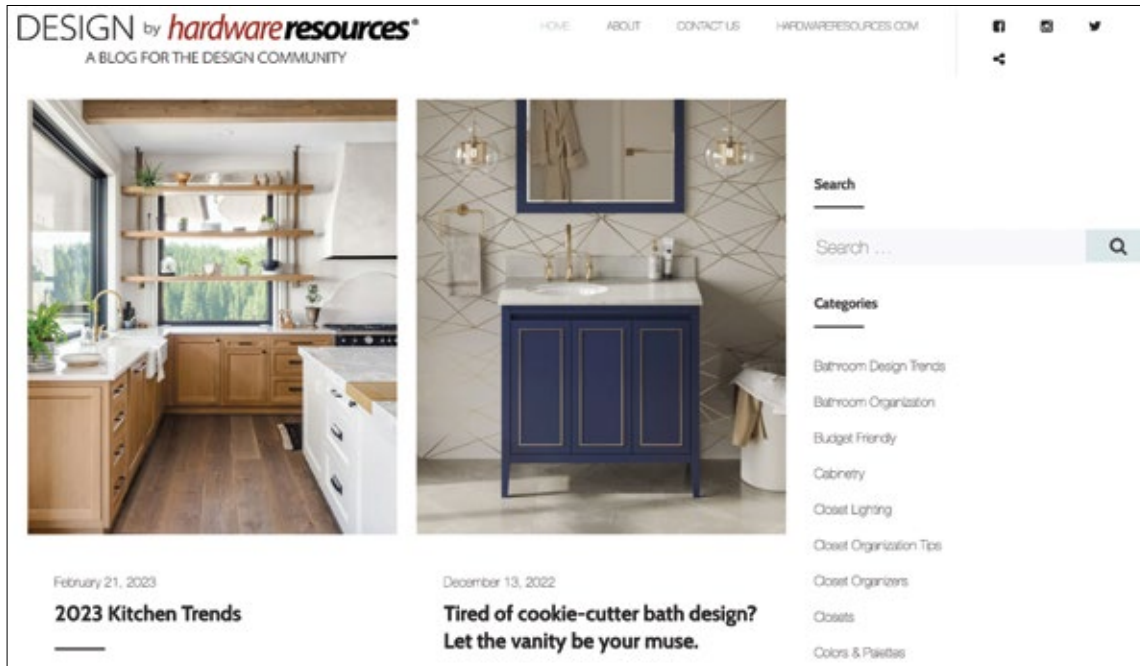


YouTube.com/c/HardwareResources

Digital Resources

Dedicated company blog full of inspiration

Find tips and tricks of the trade plus on-trend posts that will inspire your next project.



DESIGN by **hardware resources**[®]

A BLOG FOR THE DESIGN COMMUNITY

[www. !\[\]\(e3f8612927870f2e0f9f5989e6dd3064_img.jpg\) Blog.HardwareResources.com](http://www.Blog.HardwareResources.com)

Follow us on social media!

Hardware Resources is on your favorite social media channels.



@HardwareResources
@JeffreyAlexanderBrands
@NorthPointCabinetry
@TaskLightingCorp



@Hardware_Resources
@JeffreyAlexanderBrands
@NorthPointCabinetry
@TaskLighting



@Hardware_Resources
@JeffreyAlexanderBrands
@NorthPointCabinetry
@TaskLighting



linkedin.com/company/
HardwareResources

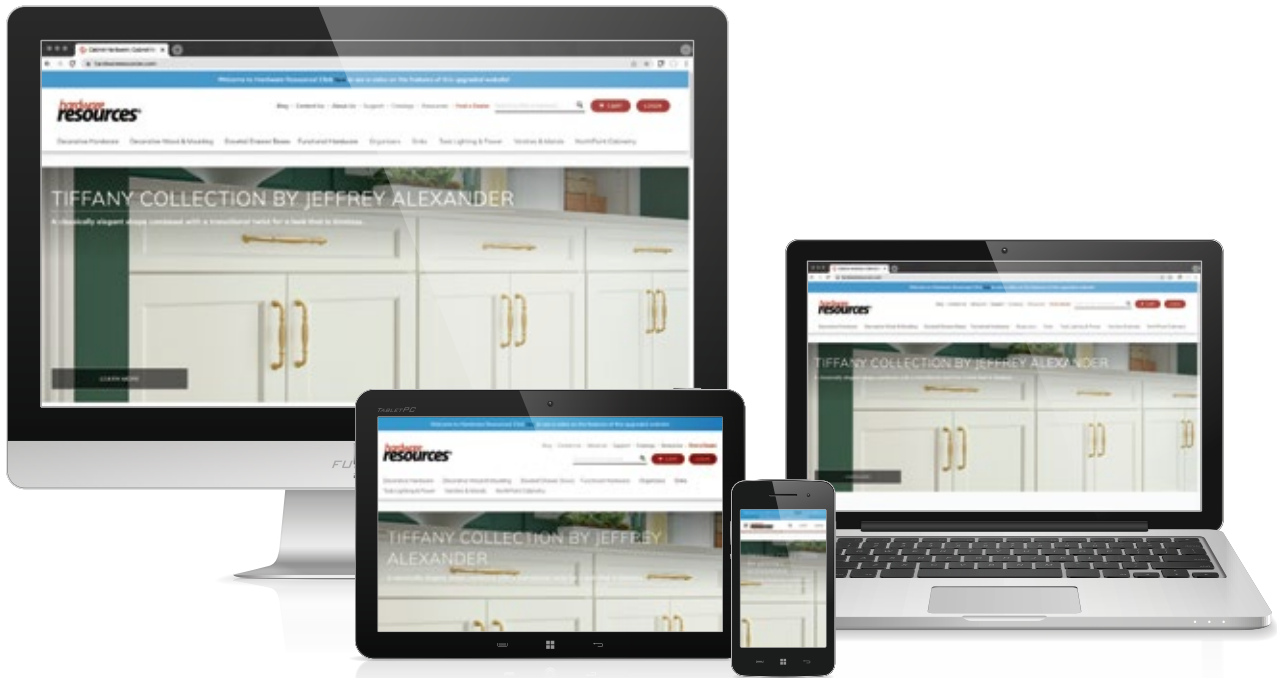
linkedin.com/company/
Task-Lighting-Corporation

linkedin.com/company/
NorthPoint-Cabinetry

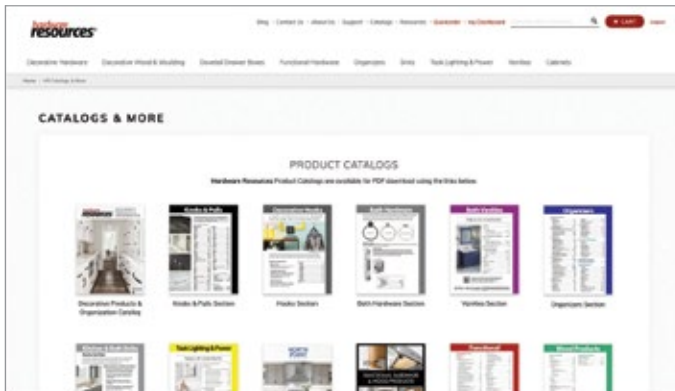
hardware
resources[®]

800.463.0660 | www.HardwareResources.com

Web Tools—Easy online ordering, quoting, and access to resources all in one spot

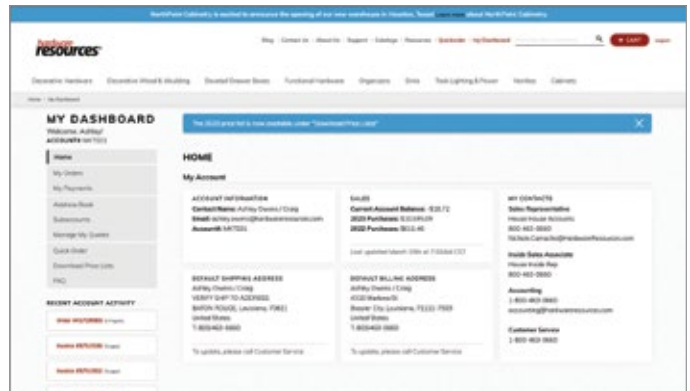


www.HardwareResources.com



Use resources to your advantage

Use the links for **Catalogs** and **Resources** in the top menu of the website to see all the resources available to you.

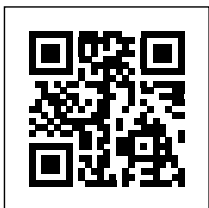


Dealer dashboard account activity

Easily follow your orders, shipments, invoices, and payments in one easy-to-read layout.

Track your orders

Stay on top of your recent orders with updated status.



Watch this quick video to learn more about our website's features!

Scan the QR code or visit <https://delivr.com/2sdsu>

Functional

Functional Hardware

Testing & Certifications	11
What's New?	12–15
Choosing the Right Slide	16–17
Undermount Drawer Slides	
Undermount Slide Comparison Chart	20–21
USE58-500 Dura-Close® Synchronized Soft-Close Slides	22–23
USE58-300 Dura-Close® Heavy-Duty Soft-Close Slides	24–25
USE58 Standard-Duty Soft-Close Slide Kit Series	26–27
Undermount Adjustable Release Clips NEW	28–29
Dura-Close® Metal Drawer Box System	30–31
Heavy-Duty Metal Drawer Box System	32–33
Undermount Shelf Bracket	34
Video Resources for Undermount Slides	35
Ball Bearing Drawer Slides	
Ball Bearing Slide Comparison Chart	38–39
209FU Series Commercial-Grade Slides	40–41
300FU Series Extra Heavy-Duty Slides	42–43
303-200 Series Push-to-Open Slides	44–45
303-300 EZ Series Open Heavy-Duty Soft-Close Slides	46–47
303FUSFT Series Heavy-Duty Soft-Close Slides	48–49
303FU Series Heavy-Duty Slides	50–51
303-50 Series 100 lb. Standard-Duty Slides	52–53
Keyboard Slides	54
Slide Mounting Kit	54
Video Resources for Ball Bearing Slides	55
Epoxy Drawer Slides	
Epoxy Slide Comparison Chart	57
5000 Series Self-Closing Slides	58–59
2000 Series Economy Self-Closing Slides	60–61
9400/9500 Series Double Captive Slides	62
Quick Tray Pilaster System	63
Slide and Hinge Installation Tool	64
Rear Slide Bracket Installation Tool	65
Barn Door Hardware	66–67
Choosing the Right Hinge	68–69
European Hinges	
European Hinge Comparison Chart	72–73
1750 Series Heavy-Duty Hinges with Adjustable Closing Speed NEW	74–75
700 Series Heavy-Duty Soft-Close Hinges	76–79
725 Series Heavy-Duty Hinges	80–83
Mounting Plates for 1750, 725, 700 Series	84–85
Hinge & Plate Selection Guide for 1750, 725, 700	86–87
500 Series Standard-Duty Hinges	88–92
Hinge Installation Tool	93
Mounting Plates for 500 Series	94–95
Hinge & Plate Selection Guide for 500 Series	96–97
45° Corner Overlay Hinge	98–99
90° Blind Corner Hinge	100–101
105° Pie Corner Hinge	102
130° Pie-Cut Corner Hinge	103
Compact Hinges	
Compact Hinge Comparison Chart	106–107
9390ADJ Series Dura-Close® Hinges with Adjustable Closing Speed NEW	108–109
9390 Series Dura-Close® Soft-Close Hinges	110–111
8390 Series Dura-Close® Hinges	112–113
22855 Series Dual Pivot Soft-Close Hinges	114
22855 Series Dual Pivot Hinges	115
3390 Series Economical Hinges	116–117
Soft-Close Dampers	118–119
Hinge Accessories	120
Hinge Boring Machine & Accessories	121
Hinge Mounting Information	122–123
Decorative Hinges	
Self-Closing Overlay Hinge	124
Self-Closing 3/8" Inset Hinge	124
Self-Closing Full Wrap Around Hinges	125
Self-Closing Partial Wrap Around Hinge	126
Free-Swinging Full Wrap Around Hinges	127–128
Free-Swinging Partial Wrap Around Hinges	128–129
Institutional Hinges	130–131
Continuous (Piano) Hinge	132
Butler Tray Hinge	132
False Front Clips	132
Shutter Hardware	
Non-Mortise Hinges	133
Butt Hinges	134–135
Louver Pins	136
Button Catches	136
Screw Selection Guide	137–138
Drive Bits	139
Magnetic Bit Holders	139
Pozi Drive Screwdriver	139
Hardware Attachment Screws	
Flat Head Screws	140–142
Pan Head Screws	143
Oval Head Screws	144
Pan Washer Head Screws	144
Undercut Head Screws	145
Truss Head Screws	145
Euro Screws	146
Truss Head Machine Screws	146
Break Away Truss Head Machine Screws	146
Cabinet Assembly & Installation Screws	
Flat Head with Nib Screws	147
Trim Head Finishing Screws	148
Pocket Hole/Face Frame Screws	148
Bugle Head Drywall Screws	148
Standard Washer Head Screws	149
Large Washer Head Screws	150
Special Application Screws	
Confirmat Flat Head Screws	151
Draw Bolt	151
Connector Bolts	151
Hollow Wall Anchor	151
Countersunk Finishing Washers	151
Shelf Supports and Accessories	
Angled Supports	152
Spoon Supports	153
Standards & Clips	154
Pin Supports	154–155
Plastic Shelf Locks	155
Cabinet and Drawer Accessories	
Door Bumpers	156
Locks	156
Magnetic Catches	157
Roller Catches	158
Elbow Catches	158
Magnetic Touch Latches	158
Rectangular Strike Plates	158
Brackets and Miscellaneous Hardware	
Angled Corner Braces	159
Flat Mending Plates	160
Drawer Adjustment Brackets	160
Plastic Brackets	161
Mirror Hanging Brackets	161

Continued...

Commercial Hardware

Hinges		Catches	
Institutional Hinges.....	163	Magnetic Catch	174
Standards & Brackets		Magnetic Touch Latches.....	174
Heavy-Duty Standards.....	164–165	Elbow Catch	175
Extra Heavy-Duty Standards	166–167	Strike Plates	175–176
Work Station Brackets	168–169	Cabinet Locks	176–177
Grommets		Shelf Supports.....	178–179
Cable Grommets	170	Adjustable Plastic Foot.....	180
Trash Can Grommets	171	Leg Levelers	181
Connectors		Hanging File Accessories.....	182
Two-Piece Panel Connectors.....	172	Hanging File Kit.....	183
Two-Piece Connector Bolts	173	Wire Pulls	184
Conformat Flat Head Screws.....	173		

WARRANTY INFORMATION: Hardware Resources believes in quality, integrity, and reliability. We uphold the highest standards of service and responsibility in the industry.

As such, Hardware Resources warrants all functional hardware items against defects in material and workmanship as long as the original consumer purchaser owns the products, if the original consumer purchased the products from an authorized distributor of Hardware Resources. Hardware Resources cannot guarantee the quality or condition of products from distributors who do not agree to meet our high standards, and therefore, no warranty is provided for products from unauthorized sellers.

If the finish of any of these items tarnishes, corrodes, rusts, begins to chip or rub off or has any other defect, Hardware Resources will send to the original purchaser, a new replacement product of the same or comparable style and quality at no charge. If a replacement is no longer available, Hardware Resources will refund to the original purchaser, the current wholesale value of the hardware.

This warranty is a warranty of replacement only. Hardware Resources specifically does not warrant removal of the product nor installation of replacement new product. This warranty does not apply when the item has been tampered with, misused, improperly installed, altered from the original form, or damaged through improper cleaning, abuse or accident.

In the unlikely event that a defective functional hardware item is encountered, please contact Customer Service at 800.463.0660. Please be able to provide a brief description and photographs of the defect.

You Buy. You Try. You Decide.

How the Trial Order program works

1. Place a Trial Order for any new-to-you functional hardware. Trial Orders can be combined with a regular order. We pay the freight on Trial Orders.
2. Test the products risk-free.
3. If you're not completely satisfied, call us. We'll give you immediate full credit on the Trial Order purchase. We'll arrange for the products to be picked up later—no need to save the original packaging, ship them back, etc. We make it easy. We would appreciate hearing your observations on the products.



How to order

1. Call **800-463-0660**
2. Use code **TRIAL-HINGE&SLIDE** for the Trial Order products



Testing & Certifications

Hardware Resources is committed to providing the highest quality products that give a lifetime of consistent, reliable performance through:

- Extensive field testing with our products in the hands of real customers using them in the most challenging real-world applications
- Continuous in-house product testing conducted by our lab technician
- Rigorous third-party testing and certification
- Ensuring that our products meet the required standards set forth by national institutions, such as ANSI and the Architectural Woodwork Institute (AWI)

Throughout our catalog you will see references to various certifications including ANSI/BHMA and the Architectural Woodwork Institute (AWI). See below for some of the most common ratings and their meanings.

For drawer slides:

ANSI/BHMA Slide Grade	Static Load Weight	Cycle Test Rating
Grade 1	75 lb	50,000
Grade 2	50 lb	35,000
Grade 3	50 lb	25,000
1HD-100	100 lb	50,000

For cabinet hinges:

ANSI/BHMA Hinge Grade	Door Weight	Permanent Set Test Load	Cycle Test Rating
Grade 1	40 ± 1/2 lb	160 lbf	100,000 cycles
Grade 2	12 ± 1/2 lb	75 lbf	50,000 cycles
Grade 3	6 ± 1/2 lb	75 lbf	25,000 cycles



sample hinge certification



- Hardware Resources is the “One Stop Shop” for all cabinet manufacturing hardware needs including hinges, slides, screws, door bumpers, shelf pins, catches, and more
- We use third-party testing to meet or exceed ANSI/BHMA standards
- Many of our products are certified by the KCMA and Architectural Woodwork Institute (AWI)
- Hardware Resources is a member of the following trade organizations:






What's New?

Heavy-Duty European Hinges with Adjustable Closing Speed

Patented, integrated soft-close European hinge with the ability to fine tune closing speed based on the size and weight of the door.



Compare the 7 hinges in the 1750 Series

APPLICATION	Full Overlay 0 mm Crank	Half Overlay 9 mm Crank	Full Inset 15 mm Crank
90° Hinge – Restricted			
 Press-in 8 mm Dowels	NEW 1750.0161.25 200/ctn		
110° Hinges			
 No Dowels	1750.0535.25 200/ctn	1750.0536.25 200/ctn	1750.0537.25 200/ctn
 Press-in 8 mm Dowels	1750.0181.25 200/ctn	1750.0179.25 200/ctn	1750.0280.25 200/ctn

Hinges are cam adjustable unless otherwise noted

Features

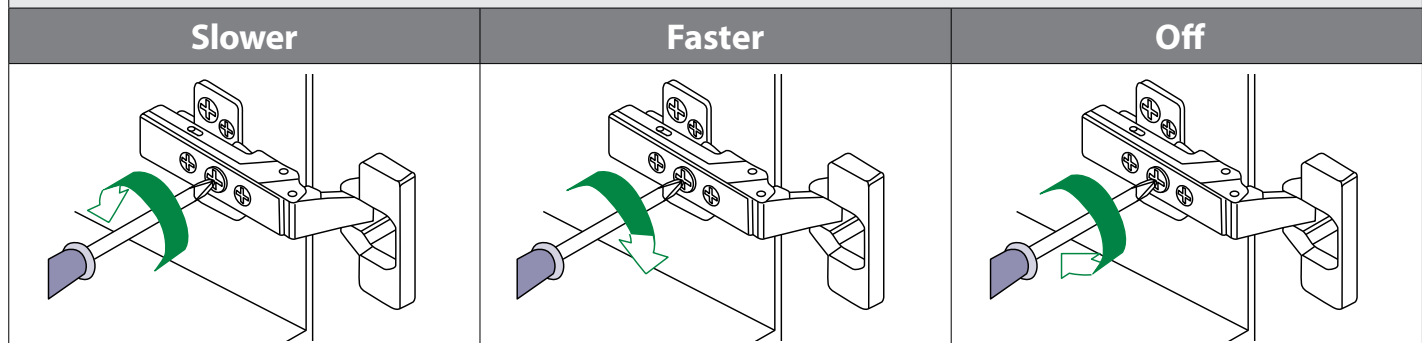
- Patented variable closing speeds enable you to easily match each customer's preferred closing speed for any door size or weight

US Patents 9,169,681; 9,617,773; & 10,081,975

- Compatible with 600 Series Mounting Plates
- 90° Restrictor Clip available (Use 700.RC to convert 110° hinges to 90°)

Soft-close speed adjustment

Rotate center cam screw to increase or decrease door speed. Adjust each soft-close hinge on various door sizes and weights to match door speeds.



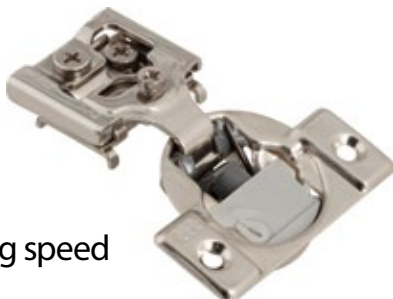
What's New?

Dura-Close® Compact Hinges with Adjustable Closing Speed

Match the closing speed of all doors regardless of size with the 9390ADJ hinges. Now large doors and small doors can close at the same speed.

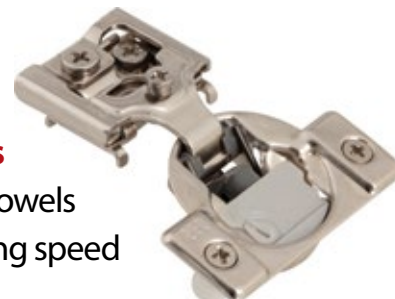
9390ADJ Series

No dowels
Adjustable closing speed



9390ADJ Series

Press-in 8 mm dowels
Adjustable closing speed



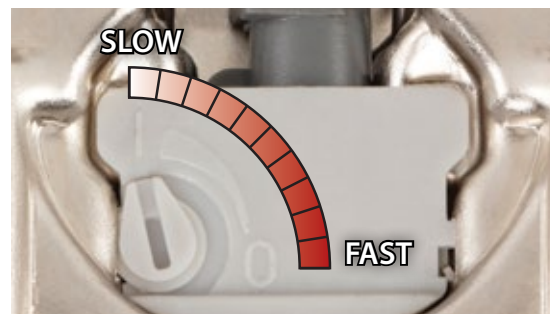
Features

- 10 levels of soft-close speed adjustment ensure all door sizes will close at the same speed.
- Durable, yet quiet glide channels allow the hinge to operate with less friction and noise. Less friction = extended hinge life.
- 100% steel constructed soft-close piston is stronger and more durable than competitors' plastic soft-close pistons.
- Re-engineered hinge-to-cabinet mounting surface increases the surface area where the hinge contacts the cabinet. This keeps the hinge in place without damaging the face frame.

Soft-close adjustment mechanism

Turn the dial to any of the 10 positions to adjust the closing speed of the door. We recommend using a 3/16" slotted screwdriver to adjust the soft-close.

Use this feature to easily match closing speeds across different door sizes.



| = Strongest soft-close; slowest closing
0 = Soft-close off; fastest closing

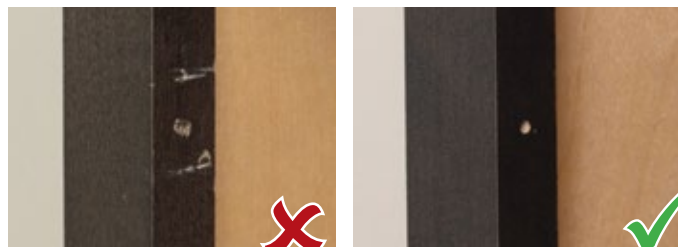
Stronger 100% steel soft-close piston

Our new steel soft-close piston is manufactured to outlast competitors' plastic pistons.



Mark-free removal

Better contact surface allows for repeated removal without damage to the cabinet surface.



What's New?

Best-In-Class Attachment Clips for USE58-500 Dura-Close® Synchronized Soft-Close Slides

Superior Adjustability:

- Intuitive alignment wheels (See details on next page)
- Center marker on left/right wheel provides convenient neutral starting point for adjustments

Easier Installation:

- Redesigned latch for better slide engagement

Modified Attachment Points:

- Improved angle attachment points for easier installation
- Clips remain flush with bottom of drawer box



USCLIP500-2-6WZ

6-way adjustable,
with zinc base



USCLIP500-2-4WZ

4-way adjustable,
with zinc base



USCLIP500-2-4W

4-way adjustable

Compatible Slides:

USE58-500 Series

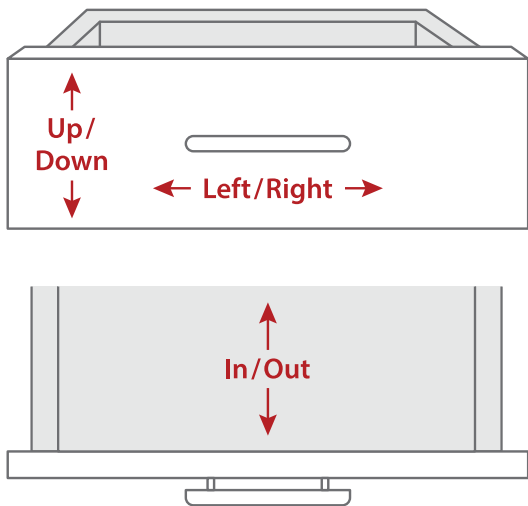
Dura-Close® Synchronized Soft-Close Slides

These undermount slides feature a rack and pinion system to prevent racking that is common in wide or shallow drawers

To see the synchronization
in action, scan QR below
delivr.com/2m55n

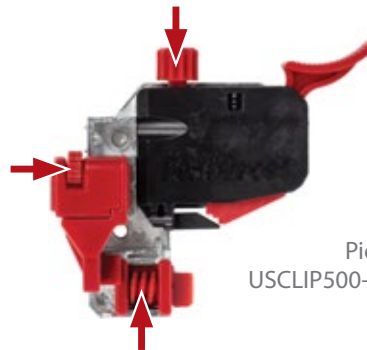


What's New?



Left/Right Adjustment
(Available on 4-way and 6-way clips)

In/Out Adjustment
(Available on 6-way clips)



Up/Down Adjustment
(Available on 4-way and 6-way clips)

Pictured:
USCLIP500-2-6WZ

500 Series 6-Way Heavy-Duty Adjustable Clip with Zinc Base



- **Vertical adjustment:** Up to 3 mm (1/8")
- **Horizontal adjustment:** +/- 2 mm (5/64")
- **Depth adjustment:** Up to 3 mm (1/8")
- **Works for inset applications**
- **Heavy-duty die cast zinc base**



9,101,213; 9,386,849;
9,408,463; 9,782,000; 9,986,829

Description	Part Number	Ctn Qty
6-way adjustable clip with zinc base	USCLIP500-2-6WZ	200/ctn Packaged by pair (L/R)

500 Series 4-Way Heavy-Duty Adjustable Clip with Zinc Base



- **Vertical adjustment:** Up to 3 mm (1/8")
- **Horizontal adjustment:** +/- 2 mm (5/64")
- **Heavy-duty die cast zinc base**



9,986,829

Description	Part Number	Ctn Qty
4-way adjustable clip with zinc base	USCLIP500-2-4WZ	200/ctn Packaged by pair (L/R)

500 Series 4-Way Standard-Duty Adjustable Clip



- **Vertical adjustment:** Up to 3 mm (1/8")
- **Horizontal adjustment:** +/- 2 mm (5/64")



9,386,849; 9,408,463; 9,782,001

Description	Part Number	Ctn Qty
4-way adjustable clip	USCLIP500-2-4W	200/ctn Packaged by pair (L/R)

DRAWER BOX MINIMUM WIDTH (VARIES BY CLIP)

	USCLIP500-2-6WZ	USCLIP500-2-4WZ	USCLIP500-2-4W
5/8" (16 mm) material	8.25"	8.25"	8.25"
1/2" (13 mm) material	8"	8"	8"

#6 x 5/8" pan head screw recommended for installation

Trial Order Program

Place an order to try these clips. If you're not satisfied, we'll immediately credit your account. Guaranteed! Call us for details.



Choosing Slides for the Job



Each drawer application calls for a certain type of slide. Hardware Resources has outlined each slide type's defining features and benefits to help make it easy to choose the best slide style for your customer.

Undermount Slides



- Slides are concealed from view, letting the drawer box's beauty shine
- Synchronized option removes the side-to-side racking
- Reduced side spacing decreases the gap between the drawer box and the cabinet opening
- Full extension
- Soft-close movement standard



View our Undermount Clip options on pages 28-29



View details about each Undermount Slide series on pages 20-27

Ball Bearing Slides



- Full extension
- Soft-close options available
- Push-to-open options available
- Wide selection of lengths and weight ratings available

View details about each Ball Bearing Slide series on pages 38-53



Epoxy Slides



- 3/4 extension
- Self-close movement

View details about each Epoxy Slide series on pages 56-62



Undermount Slides

Hardware Resources' undermount slides provide the best options in performance and value. Smooth running, easy opening, built to last, commercial-grade, best-in-class attachment clips—you'll find the perfect slide for your needs.

- **USE58-500 Series:** Dura-Close® Synchronized Soft-Close Slides
- **USE58-300 Series:** Dura-Close® Heavy-Duty Soft-Close Slides
- **USE58 Slide Kit Series:** Standard-Duty Soft-Close Slide Kits

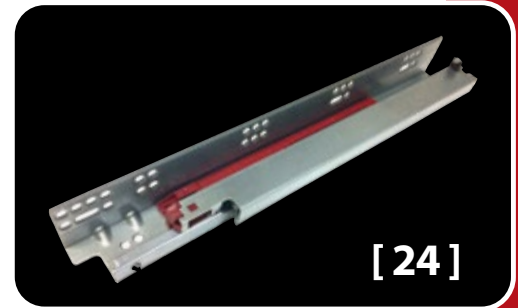


**Dura-Close® Synchronized Soft-Close Slides:
USE58-500 Series**



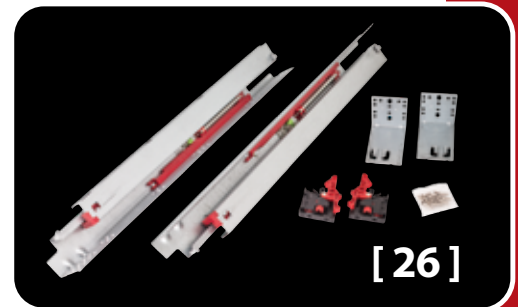
[22]

**Dura-Close® Heavy-Duty Soft-Close Slides:
USE58-300 Series**



[24]

**Standard-Duty Soft-Close Slide Kits:
USE58 Slide Kit Series**



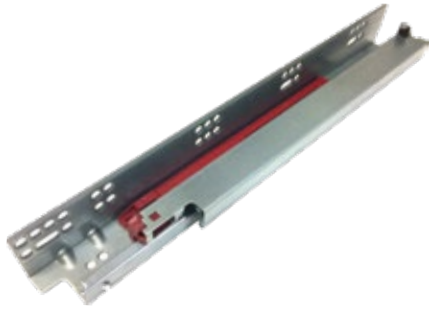
[26]

HR Series Comparison

Undermount Slides



Series	USE58-500
Category	Synchronized to Reduce Racking
Grade 1 ANSI/BHMA Certified	100 lb.
Synchronization for Reduced Racking	✓
Patented Attachment Clips with 6-Way Adjustability	✓
EZ Open: Relaxed pull force for easy opening	✓
Slotted Mounting Holes for Micro Adjustments	✓
Soft-Close	✓
Lengths	12"-24"
Compatible Clips	USCLIP500-2-6WZ, USCLIP500-2-4WZ, USCLIP500-2-4W



USE58-300	USE58
EZ Open	All-In-One Kit
100 lb.	100 lb.
✓	
✓	
✓	
✓	✓
9"-24"	12"-21"
USCLIP2ND-6WZ, USCLIP2ND-4WZ, USCLIP2ND-4W, US-CLIP-NR, US-CLIP-2W	USE58-CLIP-4W, USE58-CLIP-2W

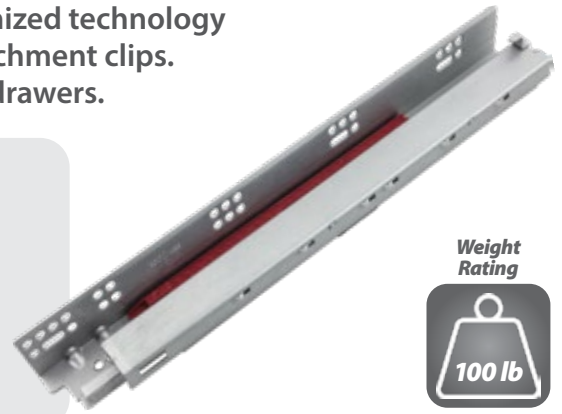
Dura-Close® Synchronized Soft-Close Slides

USE58-500 Series

Hardware Resources combined the latest in soft-close synchronized technology with relaxed, easy-to-open pull force and our best-in-class attachment clips. Our rack and pinion system reduces racking for heavy or wide drawers.

Features

- Relaxed pull force
- Grade 1 ANSI/BHMA certified to ANSI 50,000 cycles
- 100 lb. weight rating
- Compatible with our best-in-class line of attachment clips
- Worry-free positive drawer box engagement
- Reduces racking for heavy or wide drawers



Weight Rating



Hole Pattern



Compatible with these clips
(Details on page 28)

6 Way Adjustable, Zinc
USCLIP500-2-6WZ



Finish



Travel



4 Way Adjustable, Zinc
USCLIP500-2-4WZ



Certification



Lengths



4 Way Adjustable
USCLIP500-2-4W



Packaging






Specs

- Full extension
- Compatible with 1/2" and 5/8" drawer box material
- Screw holes for bottom mounting
- Slotted mounting holes for micro adjustments
- Clips sold separately

Ordering

Dura-Close® Heavy-Duty Slide
1/2" or 5/8" drawer box material

Slide Length (sold by the pair)	Part Number
12" Full Extension Slide	USE58-500-12
15" Full Extension Slide	USE58-500-15
18" Full Extension Slide	USE58-500-18
21" Full Extension Slide	USE58-500-21
24" Full Extension Slide	USE58-500-24

Rear brackets (sold by the pair)	Part Number
 Steel Rear Bracket for Face Frame Application Slotted installation holes for vertical & horizontal adjustment	USE-STEEL 100 pr/ctn
 Plastic Rear Bracket for Face Frame Application Dowels plug into predrilled 8 mm system holes Bracket provides wide range of lateral adjustment	USE-ADJ 250 pr/ctn
 Plastic Rear Bracket for Face Frame Application Dowels plug into predrilled 8 mm system holes Bracket provides wide range of lateral adjustment	USE-ADJ5 250 pr/ctn

#6 x 5/8" pan head screw recommended for installation



Superior synchronization for wide or shallow drawer applications

- No stabilizer bar required
- Achieved with rack and pinion system
- Prevents racking in wide or shallow drawers



Scan to see the synchronization in action
delivr.com/2m55n



Dura-Close® Synchronized Soft-Close Slides

USE58-500 Series

Undermount Slides

Construction & Assembly Specifications

Slide Length	Total Cabinet Depth	Overall Drawer Length	FRAMELESS		FACE FRAME	
			Min Inside Cabinet Depth	Min Inside Cabinet Depth	Max Inside Cabinet Depth	
USE58-500-12 - (12") drawer						
12-9/16" 319 mm	15" 381 mm	12" 305 mm	12-5/8" 321 mm	12-7/8" 326 mm	14" 356 mm	
USE58-500-15 - (15") drawer						
15-5/16" 389 mm	18" 457 mm	15" 381 mm	15-5/8" 397 mm	15-7/8" 403 mm	17" 432 mm	
USE58-500-18 - (18") drawer						
18-5/16" 465 mm	21" 533 mm	18" 457 mm	18-5/8" 473 mm	18-7/8" 479 mm	20" 508 mm	
USE58-500-21 - (21") drawer						
21-5/16" 541 mm	24" 610 mm	21" 533 mm	21-5/8" 549 mm	21-7/8" 555 mm	23" 584 mm	
USE58-500-24 - (24") drawer						
24-5/16" 618 mm	27" 686 mm	24" 610 mm	24-5/8" 625 mm	24-7/8" 632 mm	26" 660 mm	

MAXIMUM DRAWER HEIGHT = OPENING MINUS 19 MM (3/4")

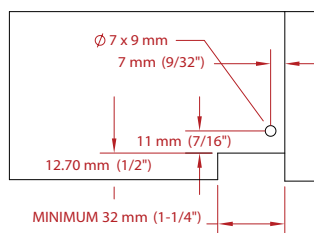
DRAWER BOX MINIMUM WIDTH

5/8" (16 mm) material	8.25"
1/2" (13 mm) material	8"

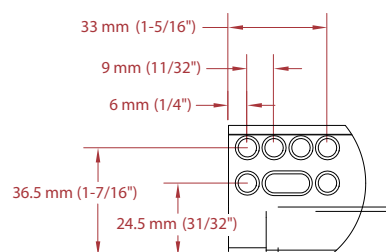
OUTSIDE DRAWER WIDTH CALCULATIONS

Drawer Side Thickness	Inside Cabinet Width Deduction
5/8" 16 mm	3/8" 10 mm
19/32" 15 mm	15/32" 12 mm
9/16" 14 mm	9/16" 14 mm
1/2" Hardwood 13 mm	5/8" 16 mm
1/2" Plywood 12 mm	13/16" 20 mm
15/32" 12 mm	23/32" 18 mm

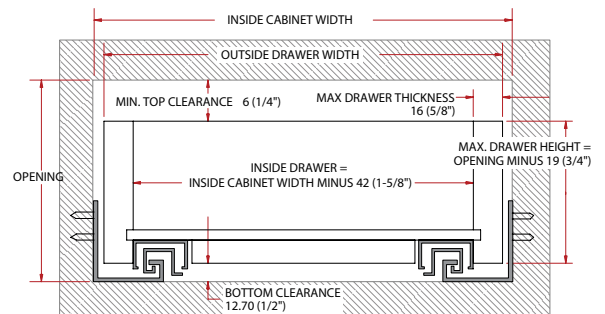
REAR NOTCH DIMENSIONS



FRONT HOLE PATTERN



FRONT VIEW OF THE DRAWER INSIDE THE CABINET



Assume 3 mm (1/8") setback from drawer opening

Rear brackets for face frame applications will yield a 5–41 mm (3/16"–1-5/8") depth adjustment

For inset drawer front applications:

Setback: 4 mm (5/32") + Drawer Front Thickness

For frameless cabinets, Inside Cabinet Depth Minimum = Slide Length + Setback + 3 mm (1/8")

For face frame cabinets, Inside Cabinet Depth Minimum = Slide Length + Setback + 5 mm (3/16")

For face frame cabinets, Inside Cabinet Depth Maximum = Slide Length + Setback + 41 mm (1-5/8")

Dura-Close® Heavy-Duty Soft-Close Slides



USE58-300 Series

The Dura-Close® Heavy-Duty USE58-300 Series boasts premium features like relaxed pull force, robust 100 lb. weight rating, and soft-close. This slide has proven its reliability with years of solid performance in both residential and commercial jobs.

Features





- Relaxed pull force
- Grade 1 ANSI/BHMA certified to 1.5X ANSI 75,000 cycles
- 100 lb. weight rating
- Compatible with our best-in-class line of attachment clips
- Worry-free positive drawer box engagement

Specs

- Full extension
- Compatible with 1/2" and 5/8" drawer box material
- Screw holes for bottom mounting
- Slotted mounting holes for micro adjustments
- Clips sold separately

Ordering

Slide Length (sold by the pair)	Part Number
9" Full Extension Slide	USE58-300-9
12" Full Extension Slide	USE58-300-12
15" Full Extension Slide	USE58-300-15
18" Full Extension Slide	USE58-300-18
21" Full Extension Slide	USE58-300-21
24" Full Extension Slide	USE58-300-24

Rear brackets (sold by the pair)	Part Number
 Steel Rear Bracket for Face Frame Application Slotted installation holes for vertical & horizontal adjustment	USE-STEEL 100 pr/ctn
 Steel Rear Bracket for Face Frame Application For use with the USE58-300-9 (9" undermounts only) Slotted installation holes for vertical & horizontal adjustment	USE-STEEL-309 100 pr/ctn
 Plastic Rear Bracket for Face Frame Application Dowels plug into predrilled 8 mm system holes Bracket provides wide range of lateral adjustment	USE-ADJ 250 pr/ctn
 Plastic Rear Bracket for Face Frame Application Dowels plug into predrilled 8 mm system holes Bracket provides wide range of lateral adjustment	USE-ADJ5 250 pr/ctn

#6 x 5/8" pan head screw recommended for installation

Assume 3 mm (1/8") setback from drawer opening

Rear brackets for face frame applications, except USE-STEEL-9, will yield a 5–41 mm (3/16"–1-5/8") depth adjustment

For inset drawer front applications:

Setback: 4 mm (5/32") + Drawer Front Thickness

For frameless cabinets, Inside Cabinet Depth Minimum = Slide Length + Setback + 3 mm (1/8")

For face frame cabinets, Inside Cabinet Depth Minimum = Slide Length + Setback + 5 mm (3/16")

Inside Cabinet Depth Maximum = Slide Length + Setback + 41 mm (1-5/8")



Compatible with these clips (Details on page 29)

6 Way Adjustable, Zinc
UCLIP2ND-6WZ



4 Way Adjustable, Zinc
USCLIP2ND-4WZ



4 Way Adjustable
USCLIP2ND-4W



2 Way Adjustable, Narrow
US-CLIP-NR



2 Way Adjustable
US-CLIP-2W



Weight Rating



Hole Pattern



Finish



Travel



Certification



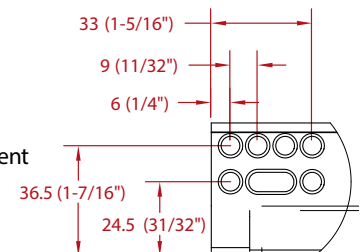
Lengths



Packaging



FRONT HOLE PATTERN



Dura-Close® Heavy-Duty Soft-Close Slides

USE58-300 Series

Undermount Slides

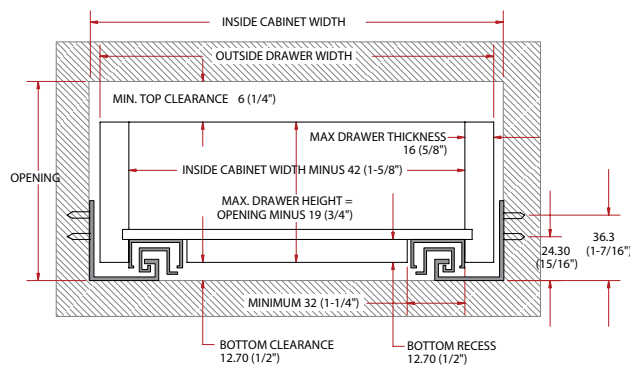
Construction & Assembly Specifications

	Slide Length	Total Cabinet Depth	Overall Drawer Length	FRAMELESS	FACE FRAME	
				Min Inside Cabinet Depth	Min Inside Cabinet Depth	Max Inside Cabinet Depth
USE58-300-9 - (9") drawer						
	10-1/4"	12"	9"	10-1/2"	10-1/2"	11-3/4"
	260 mm	305 mm	229 mm	266 mm	266 mm	299 mm
USE58-300-12 - (12") drawer						
	12-9/16"	15"	12"	12-5/8"	12-7/8"	14"
	319 mm	381 mm	305 mm	321 mm	326 mm	356 mm
USE58-300-15 - (15") drawer						
	15-5/16"	18"	15"	15-5/8"	15-7/8"	17"
	389 mm	457 mm	381 mm	397 mm	403 mm	432 mm
USE58-300-18 - (18") drawer						
	18-5/16"	21"	18"	18-5/8"	18-7/8"	20"
	465 mm	533 mm	457 mm	473 mm	479 mm	508 mm
USE58-300-21 - (21") drawer						
	21-5/16"	24"	21"	21-5/8"	21-7/8"	23"
	541 mm	610 mm	533 mm	549 mm	555 mm	584 mm
USE58-300-24 - (24") drawer						
	24-5/16"	27"	24"	24-5/8"	24-7/8"	26"
	618 mm	686 mm	610 mm	625 mm	632 mm	660 mm

DRAWER BOX MINIMUM WIDTH (VARIES BY CLIP)

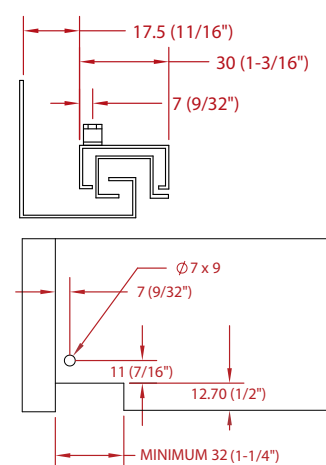
	US-CLIP2ND-6WZ	US-CLIP2ND-4WZ	US-CLIP2ND-4W	US-CLIP-2W	US-CLIP-NR
5/8" (16 mm) material	7.25"	7.25"	7.25"	6.25"	4.75"
1/2" (13 mm) material	7"	7"	7"	6"	4.5"

FRONT VIEW OF THE DRAWER INSIDE THE CABINET



MAXIMUM DRAWER HEIGHT = OPENING MINUS 19 MM (3/4")

REAR NOTCH DIMENSIONS



OUTSIDE DRAWER WIDTH CALCULATIONS

Drawer Side Thickness	Inside Cabinet Width Deduction
5/8" 16 mm	3/8" 10 mm
19/32" 15 mm	15/32" 12 mm
9/16" 14 mm	9/16" 14 mm
1/2" Hardwood 13 mm	5/8" 16 mm
1/2" Plywood 12 mm	13/16" 20 mm
15/32" 12 mm	23/32" 18 mm

Standard-Duty Soft-Close Slide Kits

USE58 Slide Kit Series

Hardware Resources' All-In-One USE58 Kit is the perfect economy solution for everyday residential cabinet needs.

Sold with Slides, Clips, Brackets, and Screws



- Full-extension undermount slide completely hidden from the user
- Soft-close feature automatically engages the drawer and brings it to a swift, soft and quiet close
- 100 lb. weight rating
- Works in a wide variety of applications: Face frame, frameless, overlay, and inset cabinets for drawers up to 5/8" thick
- Choose between 2-way and 4-way release clip options to be included
- Steel rear brackets for face frame application and (12) #7 x 14 mm flat head Phillips wood screws included
- Sold in cartons of 6 pairs only

Ordering

Slide Length (sold by carton only)	1/2" or 5/8" drawer box material	
	Part Number (6 pr/carton)	
12" Full Extension Slide	USE58-12 [†] 2-way clips included	USE58-12-4W 4-way clips included
15" Full Extension Slide	USE58-15 [†] 2-way clips included	USE58-15-4W 4-way clips included
18" Full Extension Slide	USE58-18 [†] 2-way clips included	USE58-18-4W 4-way clips included
21" Full Extension Slide	USE58-21 [†] 2-way clips included	USE58-21-4W 4-way clips included

2-way adjustable clips also available for narrower drawers

USE58-CLIP-2W



Vertical Adjustment (2W/4W)
Up to 3 mm (1/8")

Horizontal Adjustment (4W)
Up to +/- 2 mm (5/64")

Ctn Qty: 50/ctn
Packaged by pair (L/R)

Weight Rating 100 lb	Hole Pattern 32 mm	Finish Zinc
Travel Full	Lengths 12"-21"	Packaging 6 pr/box

These products are being retired.
Check availability online or call for products marked with "†".

800.463.0660 | www.HardwareResources.com

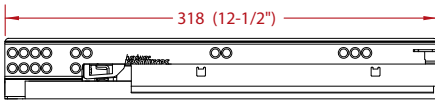
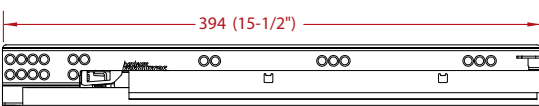
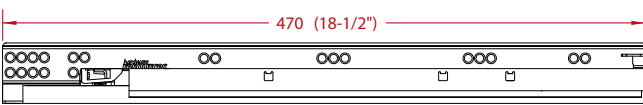
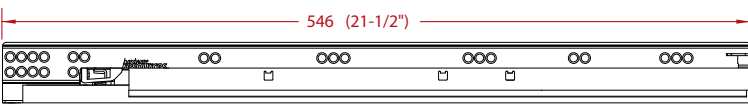


Standard-Duty Soft-Close Slide Kits

USE58 Slide Kit Series

**Undermount
Slides**

Construction & Assembly Specifications

				FRAMELESS	FACE FRAME	
	Slide Length	Total Cabinet Depth	Overall Drawer Length	Min Inside Cabinet Depth	Min Inside Cabinet Depth	Max Inside Cabinet Depth
	12-1/2" 318 mm	15" 381 mm	12" 305 mm	12-5/8" 321 mm	12-7/8" 326 mm	14-9/16" 369 mm
	15-1/2" 394 mm	18" 457 mm	15" 381 mm	15-11/16" 398 mm	15-7/8" 403 mm	17-9/16" 446 mm
	18-1/2" 470 mm	21" 533 mm	18" 457 mm	18-11/16" 474 mm	18-7/8" 479 mm	20-9/16" 522 mm
	21-1/2" 546 mm	24" 610 mm	21" 533 mm	21-11/16" 550 mm	21-7/8" 555 mm	23-9/16" 598 mm

Assume 3 mm (1/8") setback from drawer opening

Rear brackets for face frame applications will yield a 5–48 mm (3/16"–1-7/8") depth adjustment

For inset drawer front applications:

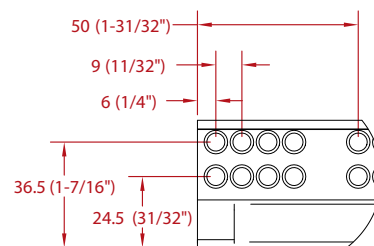
Setback: 5 mm (3/16") + Drawer Front Thickness

For frameless cabinets, Inside Cabinet Depth Minimum = Slide Length + Setback + 3 mm (1/8")

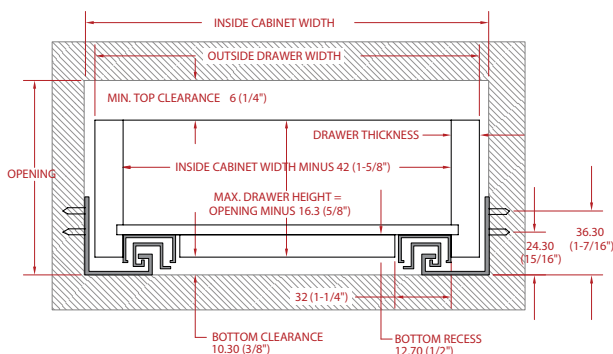
For face frame cabinets, Inside Cabinet Depth Minimum = Slide Length + Setback + 5 mm (3/16")

Inside Cabinet Depth Maximum = Slide Length + Setback + 48 mm (1-5/16")

FRONT HOLE PATTERN

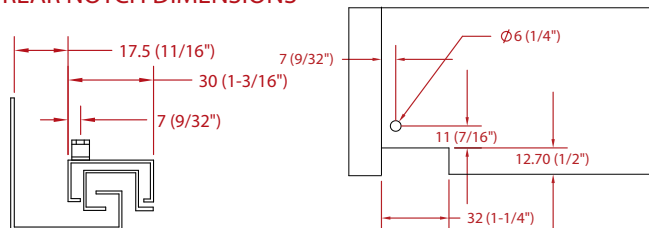


FRONT VIEW OF THE DRAWER INSIDE THE CABINET



MAXIMUM DRAWER HEIGHT = OPENING MINUS 19 MM (3/4")

REAR NOTCH DIMENSIONS



OUTSIDE DRAWER WIDTH CALCULATIONS

Drawer Side Thickness	5/8" 16 mm	19/32" 15 mm	9/16" 14 mm	1/2" 13 mm	15/32" 12 mm
Inside Cabinet Width Deduction	3/8" 10 mm	15/32" 12 mm	9/16" 14 mm	5/8" 16 mm	23/32" 18 mm

Undermount Release Clips 500 Series



Best-in-Class Undermount Clips

500 Series & 300 Series

- Easier installation and superior adjustability
- Tactile wheels for intuitive adjustment
- Improved clip and slide engagement

500 Series 6-Way Heavy-Duty Adjustable Clip with Zinc Base



- **Vertical adjustment: Up to 3 mm (1/8")**
- **Horizontal adjustment: +/- 2 mm (5/64")**
- **Depth adjustment: Up to 3 mm (1/8")**
- **Works for inset applications**
- **Heavy-duty die cast zinc base**



9,101,213; 9,386,849;
9,408,463; 9,782,001; 9,986,829

Description	Part Number	Ctn Qty
6-way adjustable clip with zinc base	USCLIP500-2-6WZ	200/ctn Packaged by pair (L/R)

500 Series 4-Way Heavy-Duty Adjustable Clip with Zinc Base



- **Vertical adjustment: Up to 3 mm (1/8")**
- **Horizontal adjustment: +/- 2 mm (5/64")**
- **Heavy-duty die cast zinc base**



9,986,829

Description	Part Number	Ctn Qty
4-way adjustable clip with zinc base	USCLIP500-2-4WZ	200/ctn Packaged by pair (L/R)

500 Series 4-Way Standard-Duty Adjustable Clip



- **Vertical adjustment: Up to 3 mm (1/8")**
- **Horizontal adjustment: +/- 2 mm (5/64")**



9,386,849; 9,408,463; 9,782,001

Description	Part Number	Ctn Qty
4-way adjustable clip	USCLIP500-2-4W	200/ctn Packaged by pair (L/R)

DRAWER BOX MINIMUM WIDTH (VARIES BY CLIP)

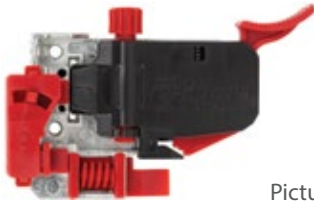
	USCLIP500-2-6WZ	USCLIP500-2-4WZ	USCLIP500-2-4W	USE58-CLIP-4W
5/8" (16 mm) material	8.25"	8.25"	8.25"	9.25"
1/2" (13 mm) material	8"	8"	8"	9"

#6 x 5/8" pan head screw recommended for installation

Undermount Release Clips 300 Series

Undermount
Slide Clips

6-Way Heavy-Duty Adjustable Clip with Zinc Base



Pictured:
USCLIP2ND-6WZ

- **Vertical adjustment: Up to 3 mm (1/8")**
- **Horizontal adjustment: +/- 2 mm (5/64")**
- **Depth adjustment: Up to 2.5 mm (3/32")**
- **Works for inset applications**
- **Heavy-duty die cast zinc base**



9,101,213; 9,386,849; 9,408,463; 9,782,001

Description	Part Number	Ctn Qty
6-way adjustable clip with zinc base	USCLIP2ND-6WZ	200/ctn Packaged by pair (L/R)

4-Way Heavy-Duty Adjustable Clip with Zinc Base



Pictured:
USCLIP2ND-4WZ

- **Vertical adjustment: Up to 3 mm (1/8")**
- **Horizontal adjustment: +/- 2 mm (5/64")**
- **Heavy-duty die cast zinc base**



9,101,213; 9,408,463; 9,782,001

Description	Part Number	Ctn Qty
4-way adjustable clip with zinc base	USCLIP2ND-4WZ	200/ctn Packaged by pair (L/R)

4-Way Standard-Duty Adjustable Clip



Pictured:
USCLIP2ND-4W

- **Vertical adjustment: Up to 3 mm (1/8")**
- **Horizontal adjustment: +/- 2 mm (5/64")**



9,101,213

Description	Part Number	Ctn Qty
4-way adjustable clip	USCLIP2ND-4W	200/ctn Packaged by pair (L/R)

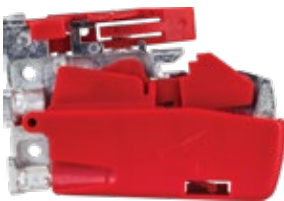
2-Way Adjustable Narrow Clip



- **Vertical adjustment: Up to 3 mm (1/8")**
- **Minimum drawer box width for 1/2" material = 4-1/2"**
- **Minimum drawer box width for 5/8" material = 4-7/8"**

Description	Part Number	Ctn Qty
2-way adjustable clip	US-CLIP-NR	100/ctn Packaged by pair (L/R)

2-Way Adjustable Clip



- **Vertical adjustment: Up to 3 mm (1/8")**
- **Die cast zinc base**

Description	Part Number	Ctn Qty
2-way adjustable clip	US-CLIP-2W	200/ctn Packaged by pair (L/R)

DRAWER BOX MINIMUM WIDTH (VARIES BY CLIP)

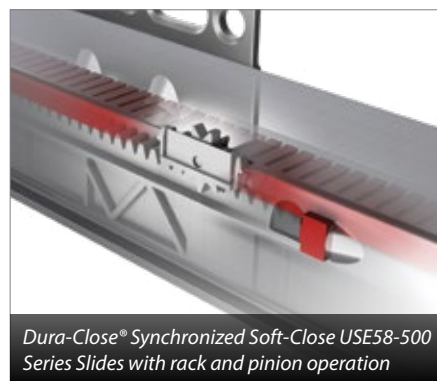
	US-CLIP2ND-6WZ	US-CLIP2ND-4WZ	US-CLIP2ND-4W	US-CLIP-2W	US-CLIP-NR
5/8" (16 mm) material	7.25"	7.25"	7.25"	6.25"	4.875"
1/2" (13 mm) material	7"	7"	7"	6"	4.5"

#6 x 5/8" pan head screw recommended for installation

Dura-Close® Metal Drawer Box System

MDB500-089 and MDB500-185 Series

This system's slides feature our rack and pinion system to reduce racking for heavy or wide drawers.



- Thin double-wall metal drawer box system built onto full extension, Dura-Close® synchronized soft-close 100 lb. capacity undermount slides
- Solid steel construction with grey powder coat finish
- Available in 89 mm and 185 mm heights
- Reduces racking for heavy or wide drawers
- Front cams for vertical and horizontal drawer front adjustment
- For frameless or face frame cabinetry (rear mounting brackets available separately)
- Front release cam for easy drawer front removal

Ordering

MDB500-089-15GR 3 pr/ctn	89 mm height 381 mm length
MDB500-089-18GR 3 pr/ctn	89 mm height 457 mm length
MDB500-089-21GR 3 pr/ctn	89 mm height 533 mm length
MDB500-185-15GR 3 pr/ctn	185 mm height 381 mm length
MDB500-185-18GR 3 pr/ctn	185 mm height 457 mm length
MDB500-185-21GR 3 pr/ctn	185 mm height 533 mm length

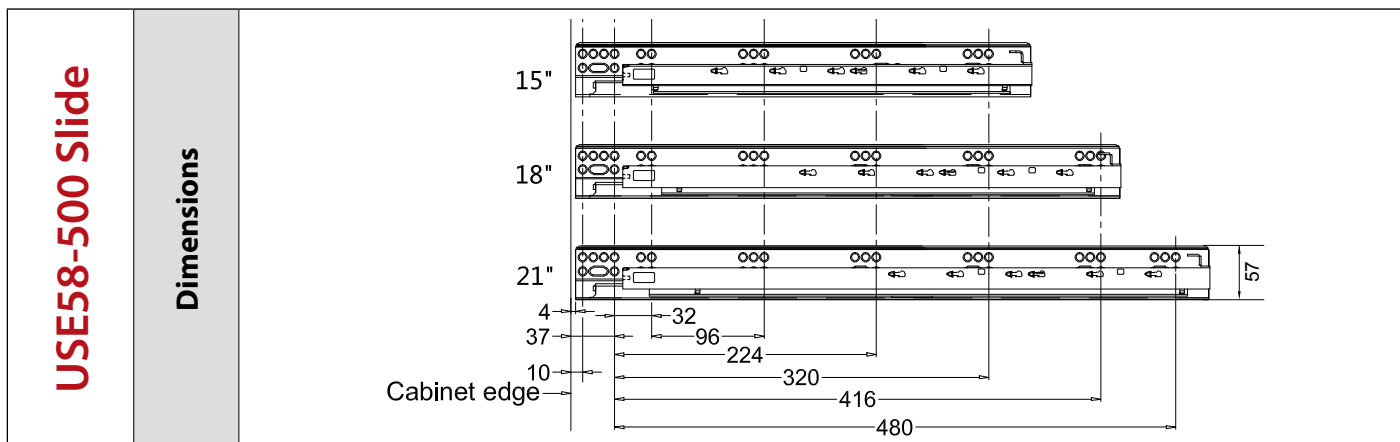
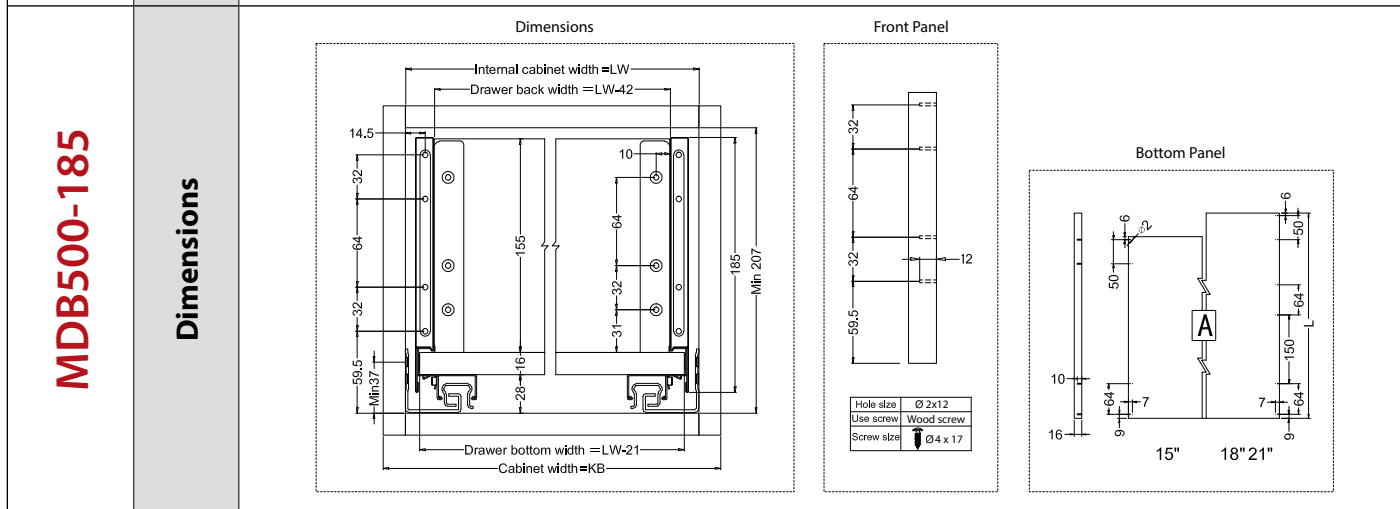
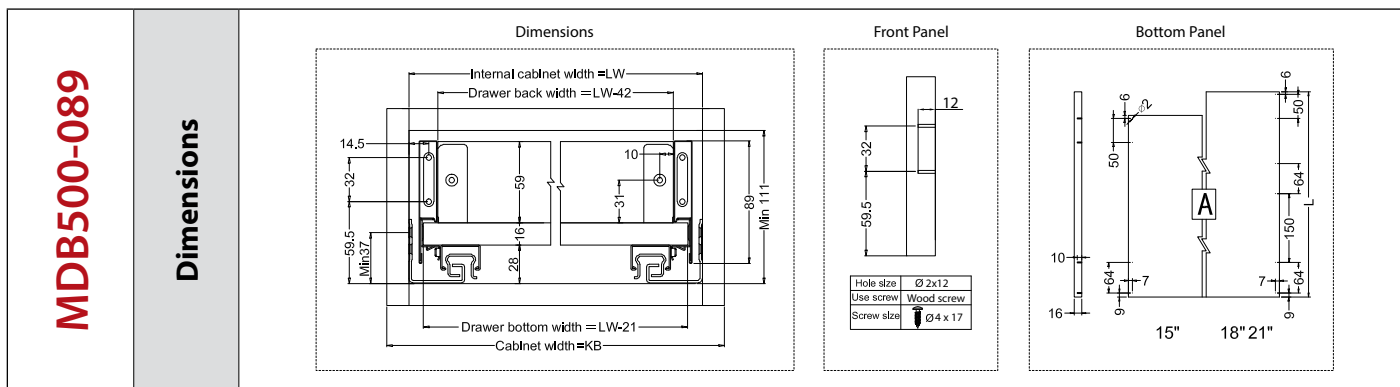


Dura-Close® Metal Drawer Box System

MDB500-089 and MDB500-185 Series

Metal Drawer Boxes

Part Dimensions				
Part #	Part #	Nominal length	Internal drawer length	Min. installation length of drawer
MDB500-089-15GR	MDB500-185-15GR	381 mm	364 mm	399 mm
MDB500-089-18GR	MDB500-185-18GR	457 mm	440 mm	475 mm
MDB500-089-21GR	MDB500-185-21GR	533 mm	516 mm	551 mm



Heavy-Duty Metal Drawer Box System

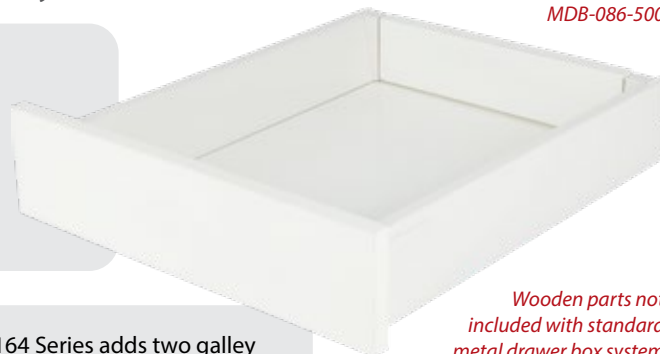
MDB-086 and MDB-164 Series

Sleek metal drawer box system for higher-end commercial and residential applications. The high-gloss white finish looks great in any cabinet.

*Shown assembled as
MDB-086-500*

Features

- Front cams provide vertical and horizontal drawer front adjustment
- Grade 1 ANSI/BHMA certified to 50,000 cycles
- 100 lb. weight rating
- Release cam for easy drawer front removal



Wooden parts not included with standard metal drawer box system

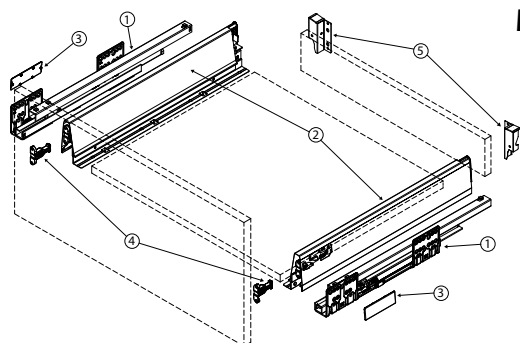
Specs

- Full extension
- Recommended 5/8" material for drawer bottom and back
- 10 mm dowels for drawer front installation
- White powder coat finish
- MDB-164 Series adds two galley rails and a taller rear bracket for deeper drawer applications
- Available in metric lengths
- Frameless applications only

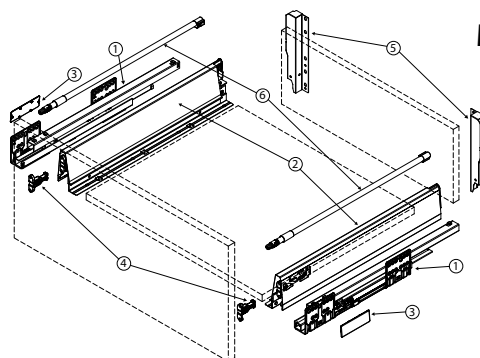
Includes a pair of Synchronized Slides and metal drawer sides as pictured. These slides reduce racking for heavy or wide drawers.

Ordering

MDB-086-400 4 pr/ctn	86 mm height 400 mm length	<p><i>Includes drawer box sides, plastic caps, rear drawer box brackets, and undermount slides as pictured</i></p>
MDB-086-450 4 pr/ctn	86 mm height 450 mm length	
MDB-086-500 4 pr/ctn	86 mm height 500 mm length	
MDB-086-550 4 pr/ctn	86 mm height 550 mm length	
MDB-164-400 4 pr/ctn	164 mm height 400 mm length	<p><i>Includes drawer box sides, drawer box rails, rear drawer box brackets, and undermount slides as pictured</i></p>
MDB-164-450 4 pr/ctn	164 mm height 450 mm length	
MDB-164-500 4 pr/ctn	164 mm height 500 mm length	
MDB-164-550 4 pr/ctn	164 mm height 550 mm length	



MDB-086



MDB-164

1	Cabinet profiles: (L/R)	2X	4	Front fixing bracket	2X
2	Drawer profiles: (L/R)	2X	5	Rear connecting bracket (L/R)	2X
3	Side cover plate	2X	6	Gallery Rail (MDB-164-xxx only)	2X

Heavy-Duty Metal Drawer Box System

MDB-086 and MDB-164 Series

Metal Drawer Boxes

Part Dimensions				
Part #	Part #	Nominal length	Internal drawer length	Min. installation length of drawer
MDB-086-400	MDB-164-400	400 mm	374 mm	410 mm
MDB-086-450	MDB-164-450	450 mm	424 mm	460 mm
MDB-086-500	MDB-164-500	500 mm	474 mm	510 mm
MDB-086-550	MDB-164-550	550 mm	524 mm	560 mm

MDB-086	Dimensions	<p>Dimensions of cabinet</p>	<p>Front fixing bracket</p>	<p>Drilling hole on drawer front</p>	<p>Drawer back</p>
	Slide Dimensions	<p>Nominal: 400/450/500/550 mm</p>			
MDB-164	Dimensions	<p>Dimensions of cabinet</p>	<p>Front fixing bracket</p>	<p>Drilling hole on drawer front</p>	<p>Drawer back</p>
	Slide Dimensions	<p>Nominal: 400/450/500/550 mm</p>			

Undermount Shelf Bracket

Easily create rollout shelves with undermount slides and this shelf bracket. Attach rear mounting block to the back of the shelf instead of notching and boring.



Undermount Shelf Bracket

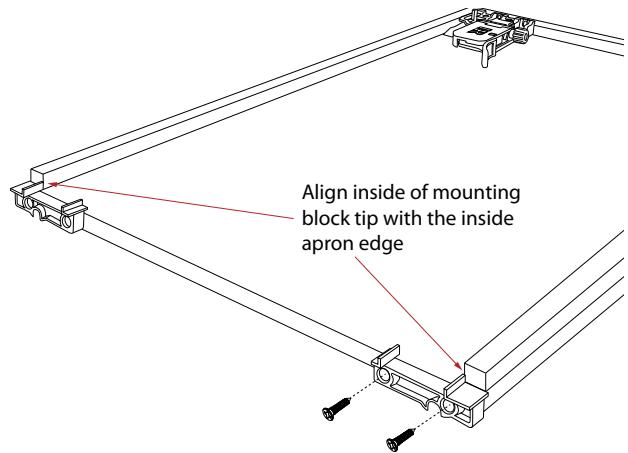
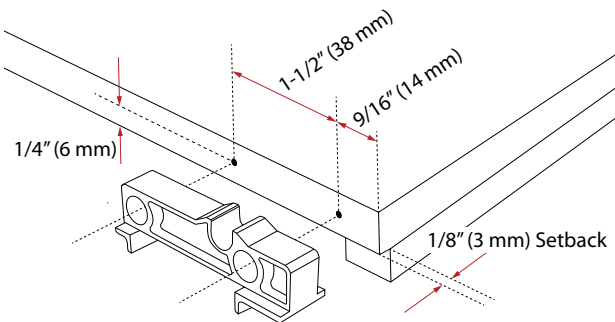
Black

USE-RMB

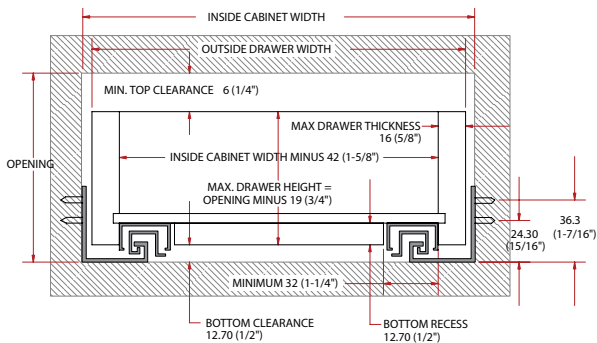
250 pcs/ctn

- » For use with USE58-300 undermount slides
- » Maximum apron thickness 16 mm (5/8") for USE58 series slides
- » Maximum apron thickness 19 mm (3/4") for USE34 series slides
- » One pair of drawer clips is required per shelf
- » Installation screws are provided

MOUNTING SPECIFICATIONS



FRONT VIEW OF THE SHELF INSIDE THE CABINET



OUTSIDE SHELF WIDTH CALCULATIONS

Drawer Side Thickness	Inside Cabinet Width Deduction
5/8"	3/8"
16 mm	10 mm
19/32"	15/32"
15 mm	12 mm
9/16"	9/16"
14 mm	14 mm
1/2"	5/8"
13 mm	16 mm
15/32"	23/32"
12 mm	18 mm

NOTE: Shelf length = length of slide minus 3/8" (10 mm)

Video Resources for Undermount Slides

The below videos are a collection of useful resources for Hardware Resources undermount slides and related products.

Use the QR codes or short links below to view each video.



**Undermount Release
Clips for 300 Series**
delivr.com/2cm9



**USE58-500 Synchronized
Undermount Slides**
delivr.com/2m55n



How to Use Your Multi Tool
delivr.com/2pww8



**How to Use Your Rear
Bracket Installation Tool**
delivr.com/2yhj3



**Correct Screw Selection
for Slides**
delivr.com/2bsd5



**How to Install Your
Metal Drawer Box**
delivr.com/2ncvz

View additional resources at www.HardwareResources.com/Functional-Hardware

Ball Bearing Slides

Hardware Resources is proud to offer a wide selection of ball bearing slides to meet the needs of almost any customer. From extra heavy-duty 225 lb. slides to standard-duty 100 lb. slides, soft-close to push-to-open, we have the slides to fit your cabinetry needs.

- **209FU Series:** 1" Overtravel Commercial-Grade Heavy-Duty Slides
- **300FU Series:** Extra Heavy-Duty Slides
- **303-200 Series:** Push-to-Open Slides
- **303-300 Series:** EZ Open Heavy-Duty Soft-Close Slides
- **303FUSFT Series:** Heavy-Duty Soft-Close Slides
- **303FU Series:** Heavy-Duty Slides
- **303-50 Series:** 100 lb. Standard-Duty Slides



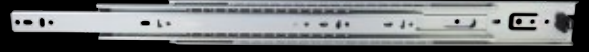
**Commercial-Grade Heavy-Duty Slides:
209FU Series - 1" Overtravel**

[40]



**Extra Heavy-Duty Slides:
300FU Series**

[42]



**Push-to-Open Slides:
303-200 Series**

[44]



**EZ Open Heavy-Duty Soft-Close Slides:
303-300 Series**

[46]



**Heavy-Duty Soft-Close Slides:
303FUSFT Series**

[48]



**Heavy-Duty Slides:
303FU Series**

[50]



**100 lb. Standard-Duty Slides:
303-50 Series**

[52]

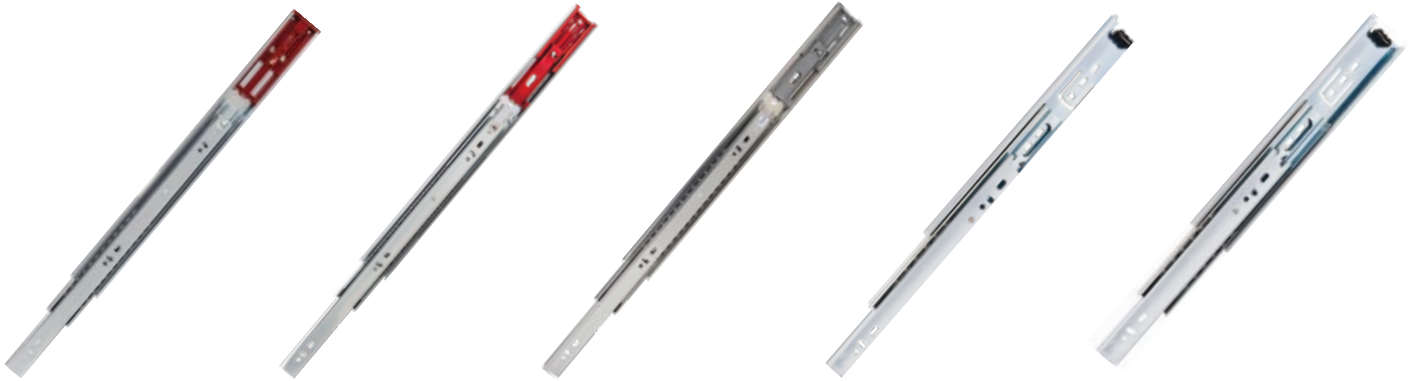


HR Series Comparison

Ball Bearing Slides



Series	209FU	300FU
Grade 1 ANSI/BHMA Certified	225 lb.	200 lb.
Commercial	✓	✓
Push-To-Open		
Soft-Close		
Cage Hold Forward: Holds ball-bearing cage at front of drawer for easy drawer installation		
EZ Open: Relaxed pull force for easy opening		
Side Spacing	3/4"	1/2"
Material Thickness (Cold-Rolled Steel)	2.2 x 2.0 x 2.0 mm	1.5 x 1.5 x 1.5 mm
Profile Height	54 mm	51 mm
Face Frame or Frameless Cabinet Compatibility	Frameless Only	Frameless Only
Lengths	16"–30"	12"–28"



 Customer Favorite

303-200	303-300	303FUSFT	303FU	303-50
100 lb.	100 lb.	100 lb.	100 lb.	100 lb.
✓				
	✓	✓		
✓	✓	✓	✓	✓
	✓			
1/2"	1/2"	1/2"	1/2"	1/2"
1.0 x 1.0 x 1.2 mm	1.0 x 1.0 x 1.2 mm	1.0 x 1.0 x 1.2 mm	1.0 x 1.0 x 1.2 mm	0.9 x 0.9 x 1.2 mm
45 mm	45 mm	45 mm	45 mm	45 mm
Both	Both	Both	Both	Both
14"-22"	10"-28"	12"-28"	8"-28"	12"-24"

Commercial-Grade Heavy-Duty Slides

209FU Series - 1" Overtravel

A 225 lb. heavy-duty commercial-grade slide designed specifically for use in frameless applications.



Features

- 1" overtravel slide
- Grade 1 ANSI/BHMA certified
- 225 lb. weight rating
- Lubricated steel ball bearings
- Non-handed trigger disconnect release
- Synthetic rubber hold-in detent prevents bounce-back and roll out

Specs

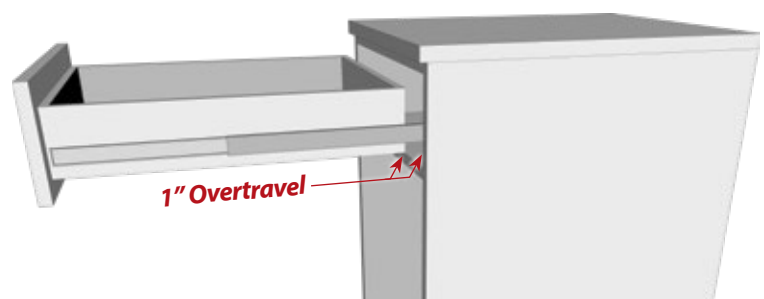
- 54 mm profile height
- 3/4" side spacing
- 2.2 mm x 2.0 mm x 2.0 mm cold-rolled steel material
- Clear zinc electroplated finish
- 6.3 mm Euro screw or #8 x 7/16" truss head screw is recommended

Weight Rating 225 lb	Travel 1" Over
Profile 54 mm	Finish Zinc
Side Spacing 3/4"	Lengths 16"-30"
Hole Pattern 32 mm	Material Dimensions 2.2 mm x 2.0 mm x 2.0 mm
Packaging 6 pr/box	Certification ANSI 50,000+

Ordering

Description	Part Number
16" Zinc Slide	209FU16
18" Zinc Slide	209FU18
20" Zinc Slide	209FU20
22" Zinc Slide	209FU22
24" Zinc Slide	209FU24
26" Zinc Slide	209FU26
28" Zinc Slide	209FU28
30" Zinc Slide	209FU30

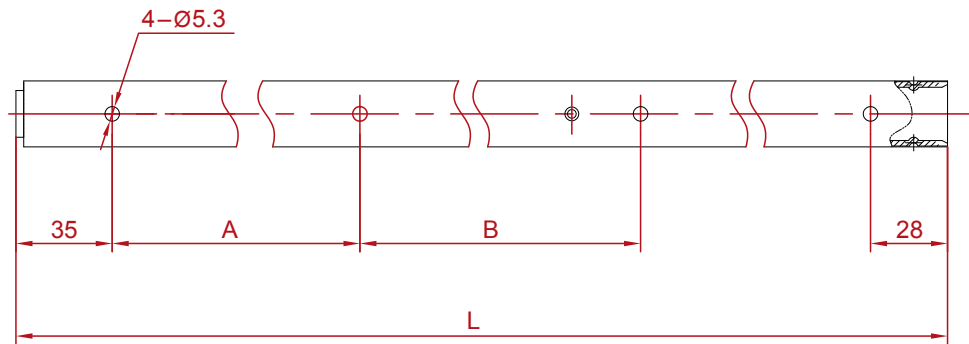
6 pr/ctn



Commercial-Grade Heavy-Duty Slides 209FU Series - 1" Overtravel

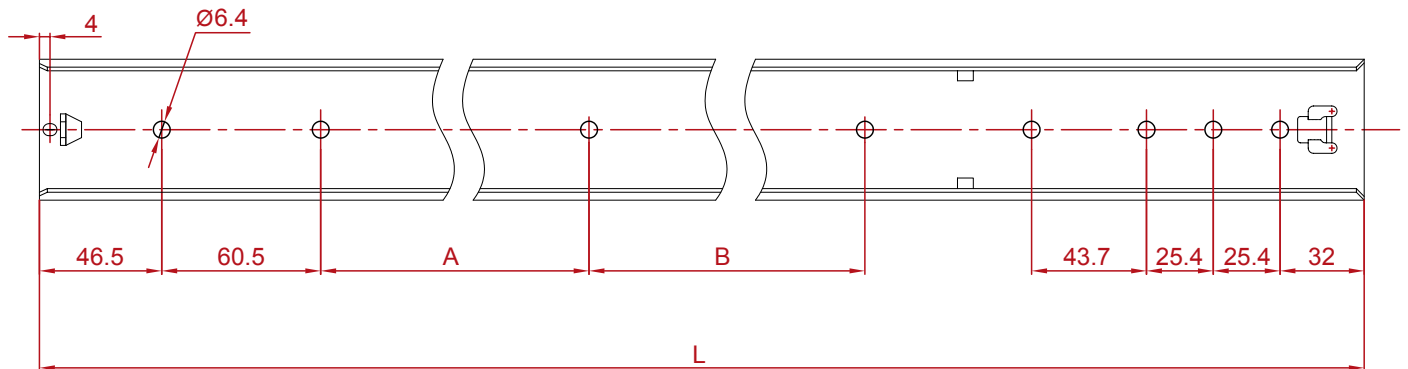
Hole Pattern and Length Specifications

DRAWER MEMBER



Specifications	L	A	B
209FU16 - 16"	404	96	128
209FU18 - 18"	455	96	224
209FU20 - 20"	506	96	224
209FU22 - 22"	557	96	288
209FU24 - 24"	608	160	292
209FU26 - 26"	659	160	292
209FU28 - 28"	710	160	356
209FU30 - 30"	761	160	356

CABINET MEMBER



Specifications	L	A	B
209FU16 - 16"	406	-	-
209FU18 - 18"	457	128	-
209FU20 - 20"	508	128	-
209FU22 - 22"	559	128	96
209FU24 - 24"	610	160	128
209FU26 - 26"	661	160	128
209FU28 - 28"	712	160	160
209FU30 - 30"	763	160	160

Extra Heavy-Duty Slides

300FU Series

A 200 lb. extra heavy-duty slide with 1/2" side clearance for use with standard drawer box sizes. Perfect for file drawers, wide drawers, drawers under ovens, or any drawer where weight is a concern.



Features

- Full extension slide
- Grade 1 ANSI/BHMA certified
- 200 lb. weight rating
- Lubricated steel ball bearings
- Non-handed trigger disconnect release
- Synthetic rubber hold-in detent prevents bounce-back and roll-out

Specs

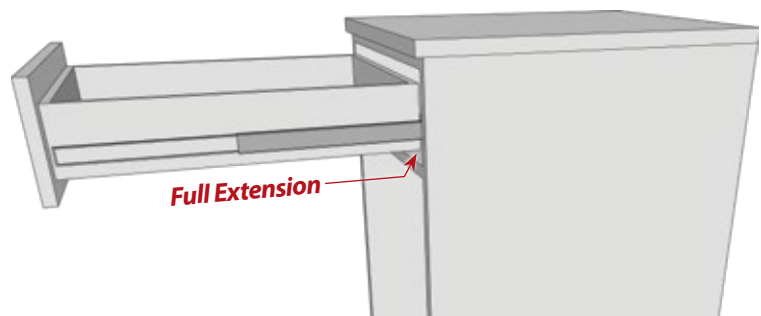
- 2" profile height
- 1/2" side spacing
- 1.5 mm x 1.5 mm x 1.5 mm cold-rolled steel material
- Clear zinc electroplated finish
- 6.3 mm Euro screw or #8 x 7/16" truss head screw is recommended

Ordering

Description	Part Number
12" Zinc Slide	300FU12
14" Zinc Slide	300FU14
16" Zinc Slide	300FU16
18" Zinc Slide	300FU18
20" Zinc Slide	300FU20
22" Zinc Slide	300FU22
24" Zinc Slide	300FU24
26" Zinc Slide	300FU26
28" Zinc Slide	300FU28

10 pr/ctn

Weight Rating 	Travel
Profile 	Finish
Side Spacing 	Lengths
Hole Pattern 	Material Dimensions
Packaging 	Certification

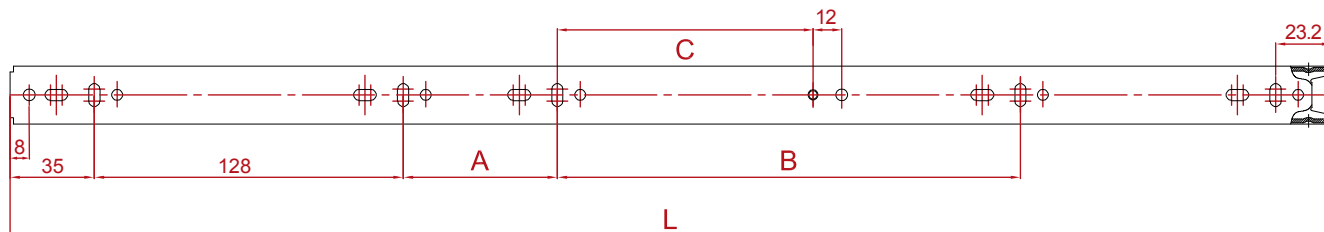


Extra Heavy-Duty Slides 300FU Series

Ball Bearing
Slides

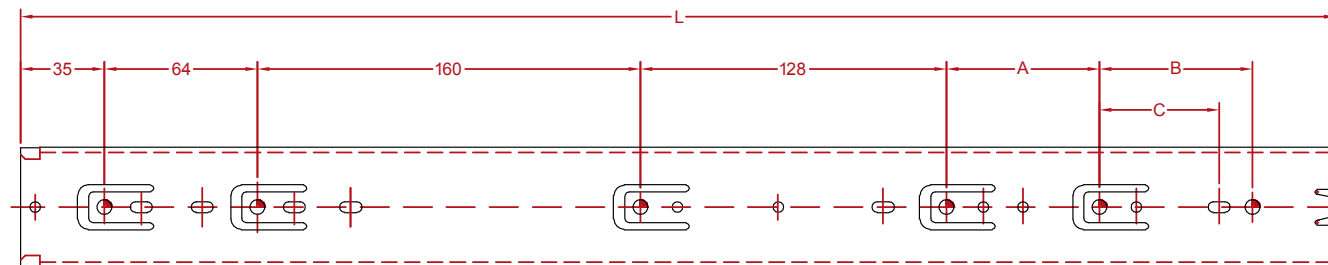
Hole Pattern and Length Specifications

DRAWER MEMBER



Specifications	L	A	B	C
300FU12 - 12"	298	-	-	60
300FU14 - 14"	348	-	-	98
300FU16 - 16"	398	-	-	124
300FU18 - 18"	448	192	-	146
300FU20 - 20"	498	64	160	106
300FU22 - 22"	548	64	192	106
300FU24 - 24"	598	64	224	156
300FU26 - 26"	648	64	256	168
300FU28 - 28"	698	64	288	193

CABINET MEMBER



Specifications	L	A	B	C	D
300FU12 - 12"	300	136	-	-	-
300FU14 - 14"	350	160	-	-	-
300FU16 - 16"	400	160	64	-	-
300FU18 - 18"	450	160	128	-	-
300FU20 - 20"	500	160	128	-	64
300FU22 - 22"	550	160	128	-	64
300FU24 - 24"	600	160	128	64	64
300FU26 - 26"	650	160	128	96	64
300FU28 - 28"	700	160	128	96	128

Push-to-Open Slides

303-200 Series

A heavy-duty 100 lb. push-to-open ball bearing slide designed for use in either frameless or face frame applications. Great for a clean, modern look or a limited space that does not have room for decorative hardware.



Features

- Full extension slide
- Grade 1 ANSI/BHMA certified
- 100 lb. weight rating
- Lubricated steel ball bearings with cage hold forward—retains cage during drawer member installation
- Non-handed trigger disconnect release

Cage Hold Forward allows for easy drawer reinstallation and reduces callbacks.



Scan for a video about this feature



Specs

- 45 mm profile height
- Clear zinc electroplated finish
- 1/2" side spacing
- 6.3 mm Euro screw or #8 x 7/16" truss head screw is recommended
- 1.0 mm x 1.0 mm x 1.2 mm cold-rolled steel material


Ordering


Description	Part Number
14" Zinc Slide	303-200-14
16" Zinc Slide	303-200-16
18" Zinc Slide	303-200-18
20" Zinc Slide	303-200-20
22" Zinc Slide	303-200-22


15 pr/ctn

Rear Mounting Bracket	
303FUSFT2	
100 pr/ctn	

Self-Adjusting Plastic Rear Bracket	
303FUSFT3	
100 pr/ctn	

Rear Mounting Bracket with 10 mm Dowels	
303FUSFT6	
100 pr/ctn	

Face Frame Front Mounting Bracket	
303FU4	
100 pr/ctn	











Self-Adjusting Plastic Rear Bracket with 8 mm Dowels	
303FUSFT7-L	
303FUSFT7-R	
50 each/ctn	

For inset application, no special installation required

For overlay application, allow 1/8" clearance for push-to-open mechanism

Opens drawer approximately 2" from closed position

Great for clean-line drawers without hardware and for commercial cabinetry

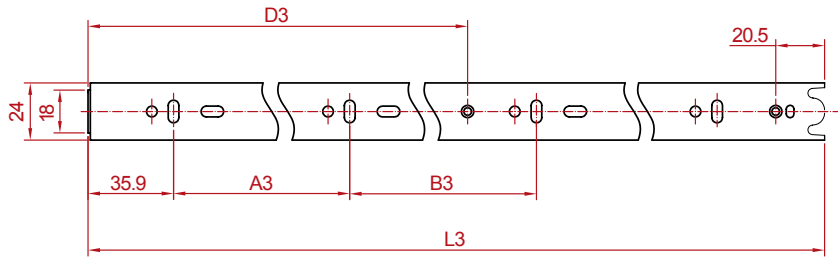
Weight Rating 	Travel 
Profile 	Finish 
Side Spacing 	Lengths 
Hole Pattern 	Material Dimensions 
Packaging 	Certification 

Push-to-Open Slides 303-200 Series

Ball Bearing
Slides


Hole Pattern and Length Specifications

DRAWER MEMBER

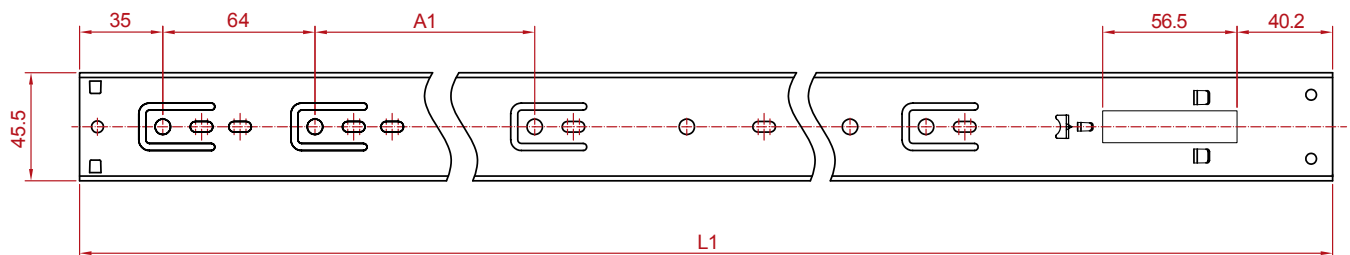


Specifications	L3	A3	B3	D3
303-200-14 - 14"	338	128	128	255
303-200-16 - 16"	388	128	192	290
303-200-18 - 18"	438	160	192	320
303-200-20 - 20"	488	192	224	340
303-200-22 - 22"	538	224	224	365

Installation Covers


		Protect slides from paint, stain, and dust during installation
303COVER-C	Installation cover cabinet member	High-strength plastic allows for multiple uses Installs on jobsite to protect slides from dust, paint, stain and damage Sold in 92" sticks—cut to fit any slide length Easily snaps on and off
303COVER-D	Installation cover drawer member	

CABINET MEMBER



Specifications	L1	A1
303-200-14 - 14"	350	96
303-200-16 - 16"	400	128
303-200-18 - 18"	450	160
303-200-20 - 20"	500	256
303-200-22 - 22"	550	288

Slide Mounting Kit

	SLIDE-KIT 50 pks/ctn
Includes 4 L-brackets & attachment screws Perfect for rollout drawers—mount slides directly to cabinet floor or fixed shelf Threaded collars mean secure slide attachment using only a screwdriver and included screws	



303-300 Series

A Dura-Close® easy-open heavy-duty soft-close slide designed to provide the most relaxed pull force of all Hardware Resources' ball bearing slides in either face frame or frameless applications. It features full extension in 12" length and above.



PATENT
9,648,952

Features

- 30% reduction in pull force compared to our 303FUSFT Series
- Full extension slide
- Grade 1 ANSI/BHMA certified
- 100 lb. weight rating
- Lubricated steel ball bearings with cage hold forward—retains cage during drawer member installation
- Non-handed trigger disconnect release

Cage Hold Forward allows for easy drawer reinstallation and reduces callbacks.



Scan for a video about this feature



Specs

- 45 mm profile height
- 1/2" side spacing
- 1.0 mm x 1.0 mm x 1.2 mm cold-rolled steel material
- Clear zinc electroplated finish
- 6.3 mm Euro screw or #8 x 7/16" truss head screw is recommended

Weight Rating



Travel



Profile



Finish



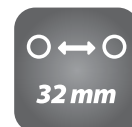
Side Spacing



Lengths



Hole Pattern



Material Dimensions



Packaging



Certification



Ordering

Description	Part Number
10" Zinc Slide	303-300-10 <i>3/4 extension</i>
12" Zinc Slide	303-300-12
14" Zinc Slide	303-300-14
16" Zinc Slide	303-300-16
18" Zinc Slide	303-300-18
20" Zinc Slide	303-300-20
22" Zinc Slide	303-300-22
24" Zinc Slide	303-300-24
26" Zinc Slide	303-300-26
28" Zinc Slide	303-300-28

Rear Mounting Bracket	
303FUSFT2 100 pr/ctn	

Self-Adjusting Plastic Rear Bracket	
303FUSFT3 100 pr/ctn	

Rear Mounting Bracket with 10 mm Dowels	
303FUSFT6 100 pr/ctn	

Self-Adjusting Plastic Rear Bracket with 8 mm Dowels	
303FUSFT7-L 303FUSFT7-R 50 each/ctn	

Face Frame Front Mounting Bracket	
303FU4 100 pr/ctn	

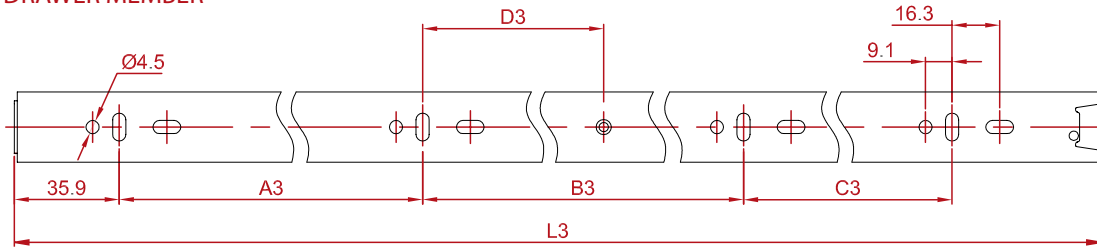
EZ Open Heavy-Duty Soft-Close Slides

303-300 Series

Ball Bearing Slides

Hole Pattern and Length Specifications

DRAWER MEMBER

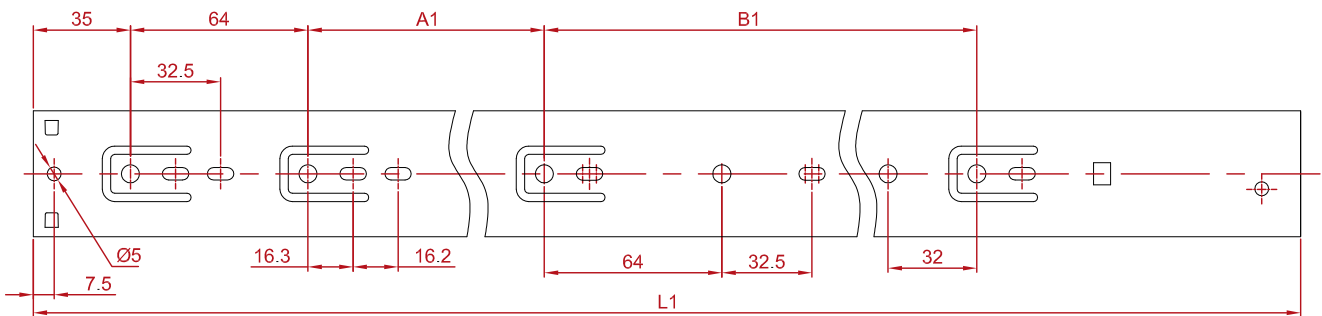


Specifications	L3	A3	B3	C3	D3
303-300-10 - 10"	245	160	-	-	-
303-300-12 - 12"	295	96	128	-	88
303-300-14 - 14"	345	128	128	-	75
303-300-16 - 16"	395	128	192	-	106
303-300-18 - 18"	445	160	192	-	94
303-300-20 - 20"	495	192	224	-	87
303-300-22 - 22"	545	224	224	-	85
303-300-24 - 24"	595	192	320	-	142
303-300-26 - 26"	645	192	224	160	167
303-300-28 - 28"	695	192	256	160	227

Installation Covers

		Protect slides from paint, stain, and dust during installation
303COVER-C	Installation cover cabinet member	High-strength plastic allows for multiple uses Installs on jobsite to protect slides from dust, paint, stain and damage Sold in 92" sticks—cut to fit any slide length Easily snaps on and off
303COVER-D	Installation cover drawer member	

CABINET MEMBER



Specifications	L1	A1	B1
303-300-10 - 10"	250	-	-
303-300-12 - 12"	300	94	-
303-300-14 - 14"	350	128	-
303-300-16 - 16"	400	160	-
303-300-18 - 18"	450	224	-
303-300-20 - 20"	500	256	-
303-300-22 - 22"	550	288	-
303-300-24 - 24"	600	352	-
303-300-26 - 26"	650	206	224
303-300-28 - 28"	700	256	224

Slide Mounting Kit

	SLIDE-KIT 50 pks/ctn
Includes 4 L-brackets & attachment screws Perfect for rollout drawers—mount slides directly to cabinet floor or fixed shelf Threaded collars mean secure slide attachment using only a screwdriver and included screws	

Heavy-Duty Soft-Close Slides

303FUSFT Series

The 303FUSFT Series is great for almost any application due to its heavy-duty, robust construction and soft-close action.



Features

- Full extension slide
- Grade 1 ANSI/BHMA certified
- 100 lb. weight rating
- Lubricated steel ball bearings with cage hold forward—retains cage during drawer member installation
- Non-handed trigger disconnect release

Cage Hold Forward allows for easy drawer reinstallation and reduces callbacks.



Scan for a video about this feature


Specs


- 45 mm profile height
- 1/2" side spacing
- 1.0 mm x 1.0 mm x 1.2 mm cold-rolled steel material
- Clear zinc electroplated finish
- 6.3 mm Euro screw or #8 x 7/16" truss head screw is recommended


Ordering


Description	Part Number
12" Zinc Slide	303FUSFT12
14" Zinc Slide	303FUSFT14
16" Zinc Slide	303FUSFT16
18" Zinc Slide	303FUSFT18
20" Zinc Slide	303FUSFT20
22" Zinc Slide	303FUSFT22
24" Zinc Slide	303FUSFT24
26" Zinc Slide	303FUSFT26
28" Zinc Slide	303FUSFT28


15 pr/ctn








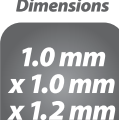


Rear Mounting Bracket	
303FUSFT2 100 pr/ctn	

Self-Adjusting Plastic Rear Bracket	
303FUSFT3 100 pr/ctn	

Rear Mounting Bracket with 10 mm Dowels	
303FUSFT6 100 pr/ctn	

Face Frame Front Mounting Bracket	
303FU4 100 pr/ctn	

Self-Adjusting Plastic Rear Bracket with 8 mm Dowels	
303FUSFT7-L 303FUSFT7-R 50 each/ctn	

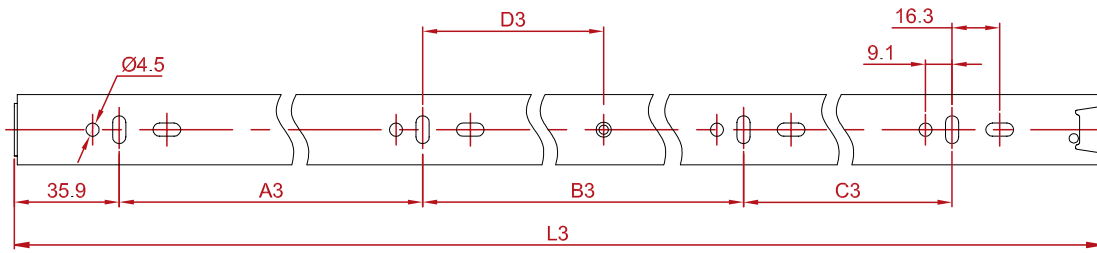
Weight Rating  100 lb	Travel  Full
Profile  45 mm	Finish  Zinc
Side Spacing  1/2"	Lengths  12"–28"
Hole Pattern  32 mm	Material Dimensions  1.0 mm x 1.0 mm x 1.2 mm
Packaging  15 pr/box	Certification  ANSI 50,000+

Heavy-Duty Soft-Close Slides 303FUSFT Series

Ball Bearing
Slides

Hole Pattern and Length Specifications

DRAWER MEMBER

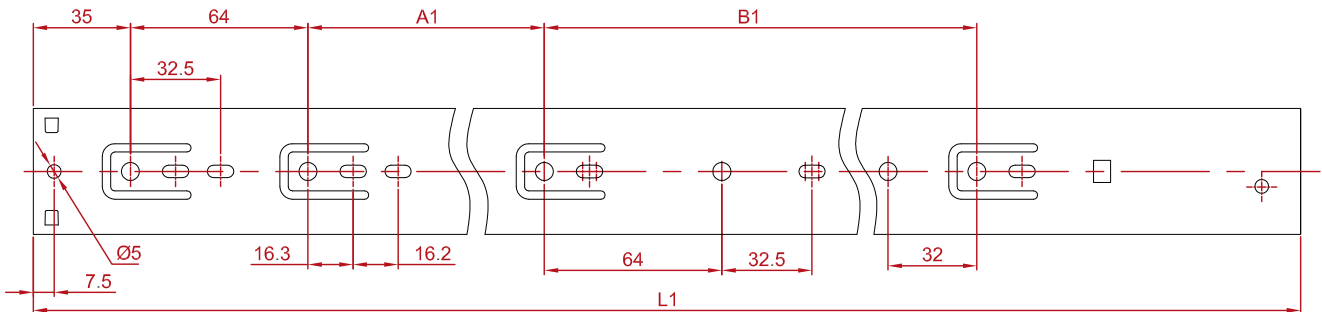


Specifications	L3	A3	B3	C3	D3
303FUSFT12 - 12"	295	96	128	-	88
303FUSFT14 - 14"	345	128	128	-	75
303FUSFT16 - 16"	395	128	192	-	106
303FUSFT18 - 18"	445	160	192	-	94
303FUSFT20 - 20"	495	192	224	-	87
303FUSFT22 - 22"	545	224	224	-	85
303FUSFT24 - 24"	595	192	320	-	142
303FUSFT26 - 26"	645	192	224	160	167
303FUSFT28 - 28"	695	192	256	160	227

Installation Covers

		Protect slides from paint, stain, and dust during installation
303COVER-C	Installation cover cabinet member	High-strength plastic allows for multiple uses Installs on jobsite to protect slides from dust, paint, stain and damage Sold in 92" sticks—cut to fit any slide length Easily snaps on and off
303COVER-D	Installation cover drawer member	

CABINET MEMBER



Specifications	L1	A1	B1
303FUSFT12 - 12"	300	94	-
303FUSFT14 - 14"	350	128	-
303FUSFT16 - 16"	400	160	-
303FUSFT18 - 18"	450	224	-
303FUSFT20 - 20"	500	256	-
303FUSFT22 - 22"	550	288	-
303FUSFT24 - 24"	600	352	-
303FUSFT26 - 26"	650	206	224
303FUSFT28 - 28"	700	256	224

Slide Mounting Kit

	SLIDE-KIT 50 pks/ctn
Includes 4 L-brackets & attachment screws Perfect for rollout drawers—mount slides directly to cabinet floor or fixed shelf Threaded collars mean secure slide attachment using only a screwdriver and included screws	

Heavy-Duty Slides

303FU Series

Hardware Resources' best-selling slide series has been the go-to 100 lb. ball bearing slide for cabinet makers for over a decade. This dependable, worry-free slide is a great solution to almost any application.



Features

- Full extension slide
- Grade 1 ANSI/BHMA certified
- 100 lb. weight rating
- Lubricated steel ball bearings with cage hold forward—retains cage during drawer member installation
- Non-handed trigger disconnect release
- Synthetic rubber hold-in detent prevents bounce-back and roll out

Specs

- 45 mm profile height
- 1/2" side spacing
- 1.0 mm x 1.0 mm x 1.2 mm cold-rolled steel material
- Clear zinc electroplated or black finish
- 6.3 mm Euro screw or #8 x 7/16" truss head screw is recommended

Cage Hold Forward allows for easy drawer reinstallation and reduces callbacks.



Scan for a video about this feature



Weight Rating



Travel



Profile



Finish



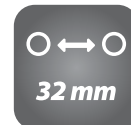
Side Spacing



Lengths



Hole Pattern



Material Dimensions



Packaging



Certification



ASSEMBLED (sold per pair)

Length	Zinc
8" Slide	303FU8
10" Slide	303FU10
12" Slide	303FU12
14" Slide	303FU14
16" Slide	303FU16
18" Slide	303FU18
20" Slide	303FU20
22" Slide	303FU22
24" Slide	303FU24
26" Slide	303FU26
28" Slide	303FU28

SPLIT SLIDES (sold as each)

Length	Zinc
14" Slide	cabinet 303-100-14C drawer 303-100-14D
16" Slide	cabinet 303-100-16C drawer 303-100-16D
18" Slide	cabinet 303-100-18C drawer 303-100-18D
20" Slide	cabinet 303-100-20C drawer 303-100-20D
22" Slide	cabinet 303-100-22C drawer 303-100-22D

30 cabinet/ctn
60 drawer/ctn

Self-Adjusting Plastic Rear Bracket with 8 mm Dowels	
303FU7-L 303FU7-R 50 each/ctn	

Face Frame Front Mounting Bracket	
303FU4 100 pr/ctn	
Rear Mounting Bracket	
303FU2 100 pr/ctn	
Self-Adjusting Plastic Rear Bracket	
303FU3 100 pr/ctn	

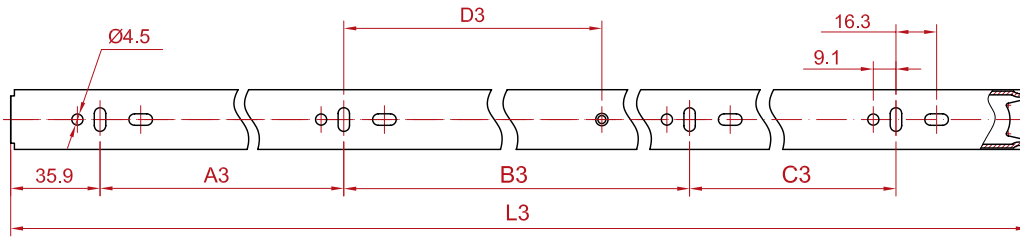
Rear Mounting Bracket with 8 mm Dowels	
303FU5 100 pr/ctn	
Rear Mounting Bracket with 10 mm Dowels	
303FU6 100 pr/ctn	

Heavy-Duty Slides 303FU Series

Ball Bearing
Slides

Hole Pattern and Length Specifications

DRAWER MEMBER

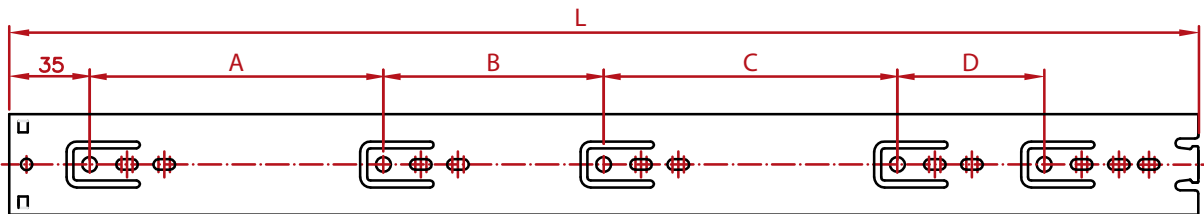


Specifications	L3	A3	B3	C3	D3
303FU8 - 8"	197	128	-	-	-
303FU10 - 10"	247	169	-	-	-
303FU12 - 12"	297	96	128	-	90
303FU14 - 14"	347	128	128	-	85
303FU16 - 16"	397	128	192	-	110.5
303FU18 - 18"	447	160	192	-	101
303FU20 - 20"	497	192	224	-	95
303FU22 - 22"	547	224	224	-	81
303FU24 - 24"	597	192	320	-	140
303FU26 - 26"	647	192	224	160	167
303FU28 - 28"	697	192	256	160	227

Installation Covers

		Protect slides from paint, stain, and dust during installation
303COVER-C	Installation cover cabinet member	High-strength plastic allows for multiple uses Installs on jobsite to protect slides from dust, paint, stain and damage Sold in 92" sticks—cut to fit any slide length Easily snaps on and off
303COVER-D	Installation cover drawer member	

CABINET MEMBER



Specifications	L	A	B	C	D
303FU8 - 8"	200	64	76	-	-
303FU10 - 10"	250	64	76	-	-
303FU12 - 12"	300	128	96	-	-
303FU14 - 14"	350	128	96	-	-
303FU16 - 16"	400	128	96	64	-
303FU18 - 18"	450	128	96	128	-
303FU20 - 20"	500	128	96	128	64
303FU22 - 22"	550	128	96	128	64
303FU24 - 24"	600	128	96	192	64
303FU26 - 26"	650	128	164	192	64
303FU28 - 28"	700	128	192	224	64

Slide Mounting Kit

	SLIDE-KIT 50 pks/ctn
Includes 4 L-brackets & attachment screws Perfect for rollout drawers—mount slides directly to cabinet floor or fixed shelf Threaded collars mean secure slide attachment using only a screwdriver and included screws	

100 lb. Standard-Duty Slides

303-50 Series

Hardware Resources' 303-50 Series ball bearing slides respond to the demand for an economical 100 lb. ball bearing slide. These cost-saving slides provide quality performance, easy installation, and ANSI-certified worry-free operation.



Features

- Full extension slide
- Grade 1 ANSI/BHMA certified
- 100 lb. weight rating
- Lubricated steel ball bearings with cage hold forward—retains cage during drawer member installation
- Non-handed trigger disconnect release
- Synthetic rubber hold-in detent prevents bounce-back and roll out

Specs

- 45 mm profile height
- Clear zinc electroplated finish
- 1/2" side spacing
- 6.3 mm Euro screw or #8 x 7/16" truss head screw is recommended
- 0.9 mm x 0.9 mm x 1.2 mm cold-rolled steel material

Cage Hold Forward allows for easy drawer reinstallation and reduces callbacks.



Scan for a video about this feature



Weight Rating



Travel



Profile



Finish



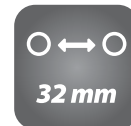
Side Spacing



Lengths



Hole Pattern



Material Dimensions



Packaging



Certification



ASSEMBLED (sold per pair)

Length	Zinc
12" Slide	303-50-12
14" Slide	303-50-14
16" Slide	303-50-16
18" Slide	303-50-18
20" Slide	303-50-20
22" Slide	303-50-22
24" Slide	303-50-24

15 pr/ctn

SPLIT SLIDES (sold as each)

Length	Zinc	Black
10" Slide	—	303-50-10BLKC 303-50-10BLKD
12" Slide	cabinet 303-50-12C drawer 303-50-12D	303-50-12BLKC 303-50-12BLKD
14" Slide	cabinet 303-50-14C drawer 303-50-14D	303-50-14BLKC 303-50-14BLKD
16" Slide	cabinet 303-50-16C drawer 303-50-16D	303-50-16BLKC 303-50-16BLKD
18" Slide	cabinet 303-50-18C drawer 303-50-18D	303-50-18BLKC 303-50-18BLKD
20" Slide	cabinet 303-50-20C drawer 303-50-20D	303-50-20BLKC 303-50-20BLKD
22" Slide	cabinet 303-50-22C drawer 303-50-22D	303-50-22BLKC 303-50-22BLKD
24" Slide	cabinet 303-50-24C drawer 303-50-24D	303-50-24BLKC 303-50-24BLKD

30 cabinet/ctn 30 cabinet/ctn
60 drawer/ctn 30 drawer/ctn

Rear Mounting Bracket	
303FU2 100 pr/ctn	
Self-Adjusting Plastic Rear Bracket	
303FU3 100 pr/ctn	
Rear Mounting Bracket with 8 mm Dowels	
303FU5 100 pr/ctn	

Rear Mounting Bracket with 10 mm Dowels	
303FU6 100 pr/ctn	
Face Frame Front Mounting Bracket	
303FU4 100 pr/ctn	

Self-Adjusting Plastic Rear Bracket with 8 mm Dowels	
303FU7-L 303FU7-R 50 each/ctn	

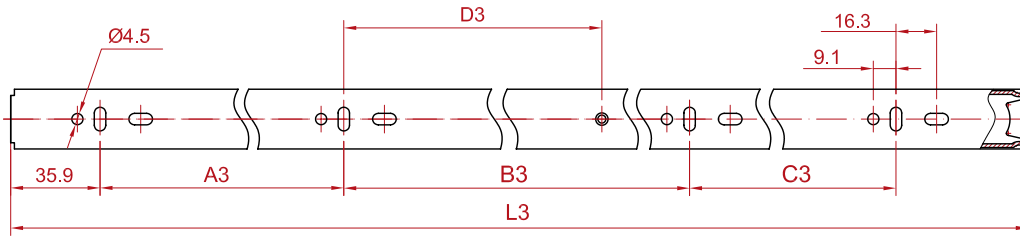
100 lb. Standard-Duty Slides

303-50 Series

Ball Bearing Slides

Hole Pattern and Length Specifications

DRAWER MEMBER

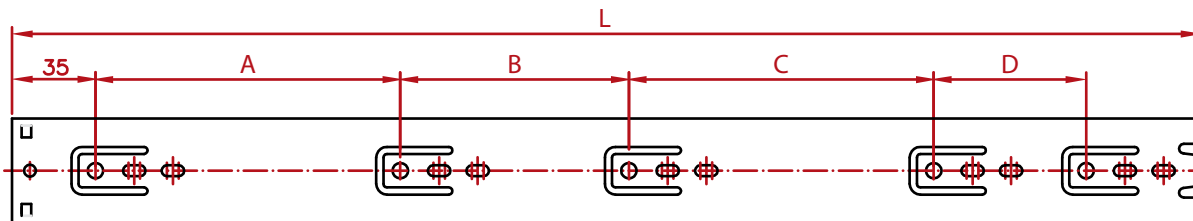


Specifications	L3	A3	B3	C3	D3
303-50-12 - 12"	297	96	128	-	90
303-50-14 - 14"	347	128	128	-	85
303-50-16 - 16"	397	128	192	-	110.5
303-50-18 - 18"	447	160	192	-	101
303-50-20 - 20"	497	192	224	-	95
303-50-22 - 22"	547	224	224	-	81
303-50-24 - 24"	597	192	320	-	140

Installation Covers

		Protect slides from paint, stain, and dust during installation
303COVER-C	Installation cover cabinet member	High-strength plastic allows for multiple uses Installs on jobsite to protect slides from dust, paint, stain and damage Sold in 92" sticks—cut to fit any slide length Easily snaps on and off
303COVER-D	Installation cover drawer member	

CABINET MEMBER



Specifications	L	A	B	C	D
303-50-12 - 12"	300	128	96	-	-
303-50-14 - 14"	350	128	96	-	-
303-50-16 - 16"	400	128	96	64	-
303-50-18 - 18"	450	128	96	128	-
303-50-20 - 20"	500	128	96	128	64
303-50-22 - 22"	550	128	96	128	64
303-50-24 - 24"	600	128	96	192	64

Slide Mounting Kit

	SLIDE-KIT 50 pks/ctn
Includes 4 L-brackets & attachment screws Perfect for rollout drawers—mount slides directly to cabinet floor or fixed shelf Threaded collars mean secure slide attachment using only a screwdriver and included screws	

Keyboard Slide without Tray

14" Black Slide	70541BK 20 pr/ctn
<i>Recommended screw:</i> #8 x 3/4" pan head	



- » Variable height range of 2"–3-7/8" in 7/16" increments
- » Heavy-duty cold-rolled steel construction with black powder coat finish
- » Keyboard slide built onto a 14" ball bearing slide
- » #8 x 3/4" pan washer head screw recommended for installation

Slide Mounting Kit

4 Zinc L-brackets & Screws	SLIDE-KIT 50 pks/ctn
<i>Recommended screw:</i> #6 pan head	

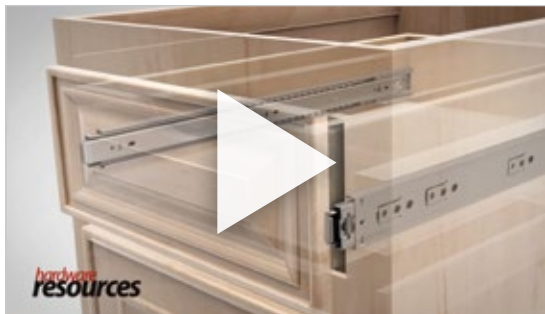


- » Perfect for rollout drawers—mount slides directly to cabinet floor or fixed shelf
- » Will fit 301FU and 303FU series ball bearing slides as well as undermount slides
- » Threaded collars mean secure attachment using only a screwdriver
- » Screws for mounting to slides included
- » #6 pan head screw suggested for installation to cabinet floor

Video Resources for Ball Bearing Slides

The below videos are a collection of useful resources for Hardware Resources undermount slides and related products.

Use the QR codes or short links below to view each video.



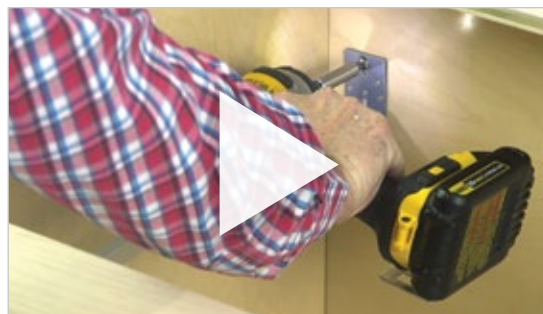
**Hardware Resources
Dura-Close™ Ball
Bearing Slide**
delivr.com/2mhzc



**One Minute Hits:
Cage Hold Forward**
delivr.com/27d7b



How to Use Your Multi Tool
delivr.com/2pww8



**How to Use Your Rear
Bracket Installation Tool**
delivr.com/2yhj3



**Correct Screw Selection
for Slides**
delivr.com/2bsd5



View all of our video content at
www.vimeo.com/HardwareResources

View additional resources at www.HardwareResources.com/Functional-Hardware

Epoxy Slides



[58]

**Commercial-Grade Heavy-Duty Slides:
5000 Series**



[60]

**Economy Self-Closing Slides:
2000 Series**



[62]

**Self-Closing Double Captive Slides:
9400/9500 Series**

HR Series Comparison

Epoxy Slides



✓ Customer Favorite

Series	9400/9500	5000	2000
Category	Heavy-Duty	Medium-Duty	Standard-Duty
Grade 1 ANSI/BHMA Certified	100 lb.	75 lb.	75 lb.
Double Captive	✓		
32 mm System Compatible	✓	✓	✓
Profile Height	1-5/8"	1-7/16"	1-7/16"
Lengths	16"-22"	14"-24"	12"-22"



A standard-duty self-closing slide designed for use in either frameless or face frame applications.



Features

- 3/4 extension slide travel
- 75 lb. weight rating
- Side or bottom mounting style for frameless and face frame cabinetry
- POM synthetic plastic roller, cylindrically ground for smooth and quiet action
- Positive lock-out on both members
- Disconnects via lift out
- Self-closing with positive stop prevents drawer bounce-back and roll-out

Specs

- 1-7/16" profile height
- 1/2" side spacing
- Epoxy powder-coated cream white finish
- 1.0 mm cold-rolled steel material
- 32 mm system hole pattern
- 6.3 mm euro screw or #6 undercut screw is recommended

Ordering

Bulk Pack

Description	Part Number
14" Bulk Pack Cabinet Member	5035CL/CR
14" Bulk Pack Drawer Member	5035DL/DR
16" Bulk Pack Cabinet Member	5040CL/CR
16" Bulk Pack Drawer Member	5040DL/DR
18" Bulk Pack Cabinet Member	5045CL/CR
18" Bulk Pack Drawer Member	5045DL/DR
20" Bulk Pack Cabinet Member	5050CL/CR
20" Bulk Pack Drawer Member	5050DL/DR
22" Bulk Pack Cabinet Member	5055CL/CR
22" Bulk Pack Drawer Member	5055DL/DR
24" Bulk Pack Cabinet Member	5060CL/CR
24" Bulk Pack Drawer Member	5060DL/DR

100 pcs/ctn

Builder Pack

Description	Part Number
14" (350 mm) Builder Pack	5035
16" (400 mm) Builder Pack	5040
18" (450 mm) Builder Pack	5045
20" (500 mm) Builder Pack	5050
22" (550 mm) Builder Pack	5055

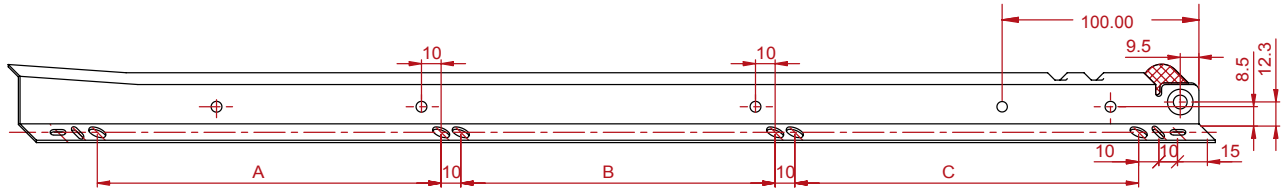
25 pcs/ctn

Self-Closing Slides 5000 Series

Epoxy
Slides

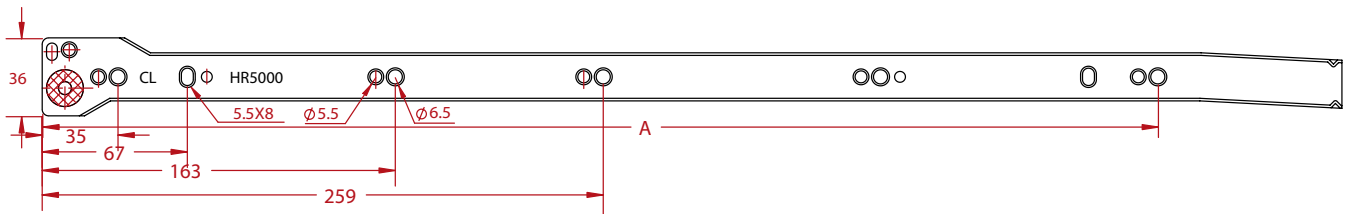
Hole Pattern and Length Specifications

DRAWER MEMBER



Specifications	L	A	B	C
5030 - 12"	300	110	110	-
5035 - 14"	350	135	135	-
5040 - 16"	400	160	160	-
5045 - 18"	450	185	185	-
5050 - 20"	500	210	210	-
5055 - 22"	550	235	235	-
5060 - 24"	600	175	160	175

CABINET MEMBER



Specifications	A
5030 - 12"	-
5035 - 14"	323
5040 - 16"	355
5045 - 18"	387
5050 - 20"	451
5055 - 22"	515
5060 - 24"	515

Rear Mounting Bracket

Left Hand Rear Socket	9000-LH	
Right Hand Rear Socket	9000-RH	

Mounts to rear cabinet wall; slotted holes allow vertical and horizontal adjustment

100 pcs/bag - 500 pcs/ctn

Economy Self-Closing Slides

2000 Series

An economy self-closing slide designed for use in either frameless or face frame applications.



Features

- 3/4 extension slide travel
- 75 lb. weight rating
- Side or bottom mounting style for frameless and face frame cabinetry
- POM synthetic plastic roller, cylindrically ground for smooth and quiet action
- Positive lock-out on both members
- Disconnects via lift out
- Self-closing with positive stop prevents drawer bounce-back and roll-out

Specs

- 1-7/16" profile height
- 1/2" side spacing
- Epoxy powder-coated cream white finish
- 1.0 mm cold-rolled steel material
- 32 mm system hole pattern
- 6.3 mm euro screw or #6 undercut screw is recommended

Ordering

Bulk Pack

Description	Part Number
12" Bulk Pack Cabinet Member	2030CL/CR
12" Bulk Pack Drawer Member	2030DL/DR
14" Bulk Pack Cabinet Member	2035CL/CR
14" Bulk Pack Drawer Member	2035DL/DR
16" Bulk Pack Cabinet Member	2040CL/CR
16" Bulk Pack Drawer Member	2040DL/DR
18" Bulk Pack Cabinet Member	2045CL/CR
18" Bulk Pack Drawer Member	2045DL/DR
20" Bulk Pack Cabinet Member	2050CL/CR
20" Bulk Pack Drawer Member	2050DL/DR
22" Bulk Pack Cabinet Member	2055CL/CR
22" Bulk Pack Drawer Member	2055DL/DR

100 pcs/ctn

Builder Pack

Description	Part Number
12" (300 mm) Builder Pack	2030
14" (350 mm) Builder Pack	2035
16" (400 mm) Builder Pack	2040
18" (450 mm) Builder Pack	2045
20" (500 mm) Builder Pack	2050
22" (550 mm) Builder Pack	2055B

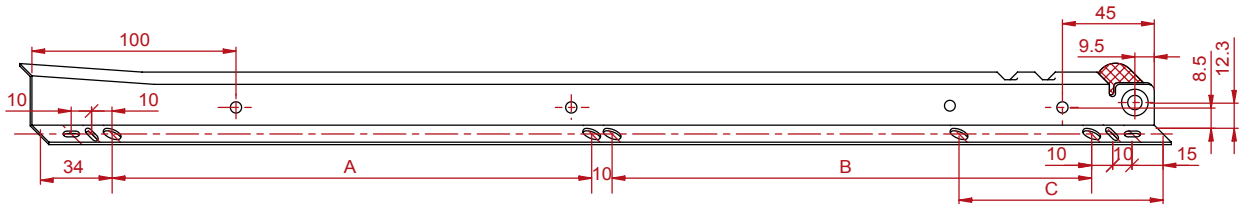
25 pcs/ctn

Economy Self-Closing Slides 2000 Series

Epoxy
Slides

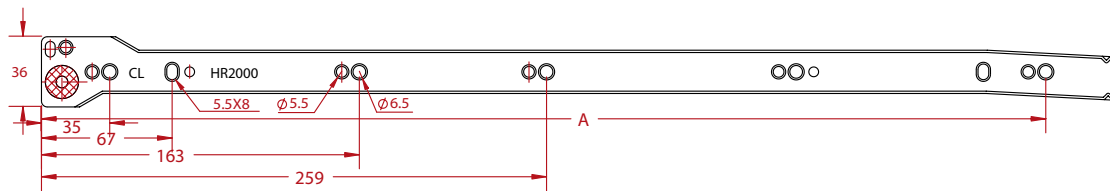
Hole Pattern and Length Specifications

DRAWER MEMBER



Specifications	L	A	B	C
2030 - 12"	300	110	110	-
2035 - 14"	350	135	135	-
2040 - 16"	400	160	160	-
2045 - 18"	450	185	185	-
2050 - 20"	500	210	210	53
2055 - 22"	550	235	235	102

CABINET MEMBER



Specifications	A
2030 - 12"	-
2035 - 14"	323
2040 - 16"	355
2045 - 18"	387
2050 - 20"	451
2055 - 22"	515

Rear Mounting Bracket

Left Hand Rear Socket	9000-LH	
Right Hand Rear Socket	9000-RH	
Mounts to rear cabinet wall; slotted holes allow vertical and horizontal adjustment		

100 pcs/bag - 500 pcs/ctn

Self-Closing Double Captive Slides 9400/9500 Series

A self-closing double captive slide that reduces slide play for a more stable drawer action.




Features


- 3/4 extension slide travel
- 100 lb. weight rating
- Side or bottom mounting style for frameless and face frame cabinetry
- Double captive (left and right channels) reduces side play for on-track precision across the entire length of the slide
- POM synthetic plastic roller, cylindrically ground for smooth and quiet action
- Positive lock-out on both members
- Disconnects via lift out
- Self-closing with positive stop prevents drawer bounce-back and roll-out

Specs

- 1-5/8" profile height
- 1/2" side spacing
- 1.0 mm cold-rolled steel material
- Epoxy powder-coated cream white finish
- 32 mm system hole pattern
- 6.3 mm euro screw or #6 undercut screw is recommended

Mounting Brackets

	
Left Hand Adjustable Socket	8001L
Right Hand Adjustable Socket	8001R
Rear mounting holes are slotted for easy adjustment	

	
Left Hand Adjustable Socket with 10 mm Dowels	8000L
Right Hand Adjustable Socket with 10 mm Dowels	8000R

100 pcs/bag - 500 pcs/ctn

100 pcs/bag - 500 pcs/ctn

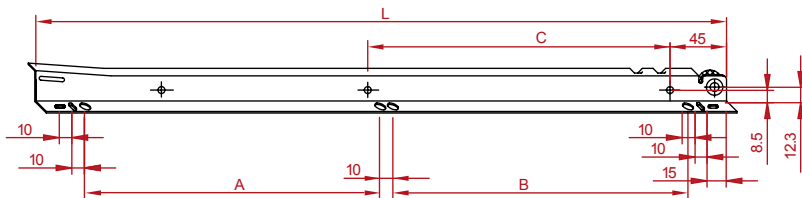
Ordering

Description	Part Number
16-3/8" (416 mm) Bulk Pack Cabinet Member	9416CL/CR
15-3/4" (400 mm) Bulk Pack Drawer Member	9400DL/DR
18-3/4" (476 mm) Bulk Pack Cabinet Member	9476CL/CR
17-3/4" (450 mm) Bulk Pack Drawer Member	9450DL/DR
19-3/4" (500 mm) Bulk Pack Cabinet Member	9500CL/CR
19-3/4" (500 mm) Bulk Pack Drawer Member	9500DL/DR
22-1/2" (572 mm) Bulk Pack Cabinet Member	9572CL/CR
21-5/8" (550 mm) Bulk Pack Drawer Member	9550DL/DR

100 pcs/ctn

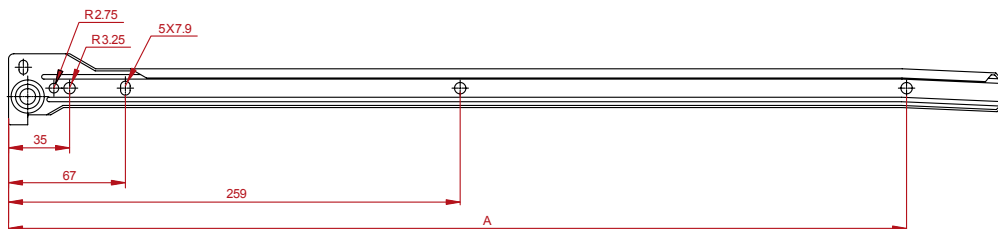
Hole Pattern and Length Specifications

DRAWER MEMBER



Specifications	L	A	B	C
9400 - 16"	160	160	170	400
9450 - 18"	185	185	195	450
9500 - 20"	210	210	220	500
9550 - 22"	235	235	245	550

CABINET MEMBER



Specifications	A
9416 - 16"	355
9476 - 18"	387
9500 - 20"	451
9572 - 22"	515

Quick Tray Pilaster System



- » Overall height is 20-1/8"
- » Vertical adjustment of shelves in increments of 1-1/4"
- » No tools necessary for shelf adjustments
- » Front spacing lip allows for offset behind the face frame
- » Supports are non-handed for easy installation
- » Frameless application can be mounted with wood or euro screws
- » Face frame application can be fastened with staples or wood screws
- » Can be factory installed or added to existing cabinets

Pilasters:

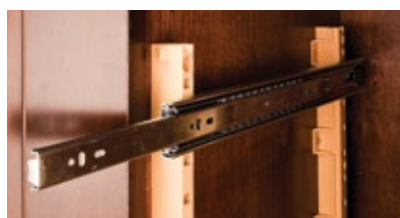
Maple	B512-01 5 pc/ctn	1-1/4" Pilaster System Pack, clear-coated maple pilaster with beige insert Pack Includes: 4 pilasters, 8 undermount hook dowels* and 16 screws
White	B500-00 100 pc/ctn	Quick Tray 1" Pilaster bulk pack Pack Includes: 100 pilasters, 200 undermount hook dowels* and 200 screws
	B520-00 20 pks/ctn	1" Pilaster System Pack Pack Includes: 4 pilasters, 8 undermount hook dowels* and 8 screws
	B521-00 20 pks/ctn	1-1/4" Pilaster System Pack Pack Includes: 4 pilasters, 8 undermount hook dowels* and 8 screws
Beige	B520-01 20 pks/ctn	1" Pilaster System Pack Pack Includes: 4 pilasters, 8 undermount hook dowels* and 8 screws
	B521-01 20 pks/ctn	1-1/4" Pilaster System Pack Pack Includes: 4 pilasters, 8 undermount hook dowels* and 8 screws

Use with any slide:

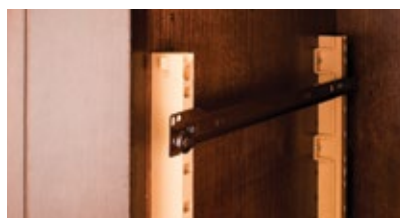
UNDERMOUNT



BALL BEARING



EPOXY



Accessories:

White	530117 2000 pc/ctn	7/8" Plastic Spacer with 1-3/8" CC holes 1-7/8" overall width	
	EXE001 2000 pc/ctn	3/4" Spacer with 32 mm holes	
Beige	B-400-02 100 pc/pk 10 pks/ctn	Drawer Bumper for Rollout Tray 11/16" (18 mm) Recommended screw: 6X7160-B	
Zinc	T-506 1000 pc/ctn	Hook Dowels for ball bearing slides (sold individually)	
	T-508 1000 pc/ctn	Hook Dowels for undermount slides (sold individually)	

*Ball bearing slide hook dowels sold separately



Scan to view the Quick Tray calculation sheet
delivr.com/2hwjs

Slide and Hinge Installation Tool HR-TOOL-300



PATENT
D824,741



Ordering

Description	Part Number
Slide and Hinge Installation Tool	HR-TOOL-300

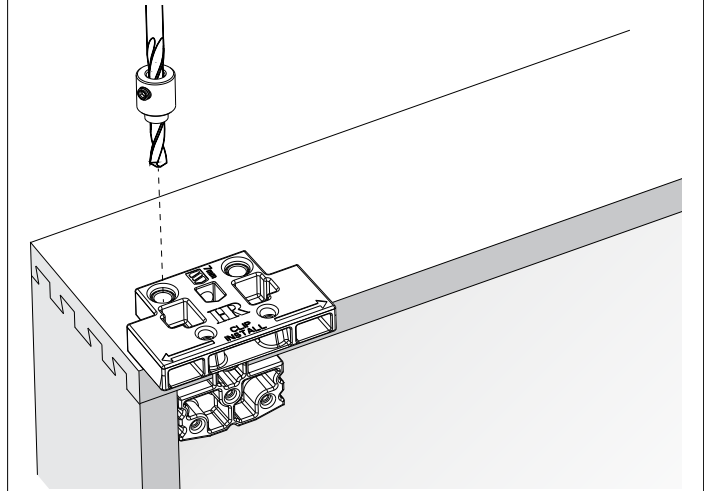


Scan for a video about
how to use this tool
delivr.com/2pww8

Each kit includes:

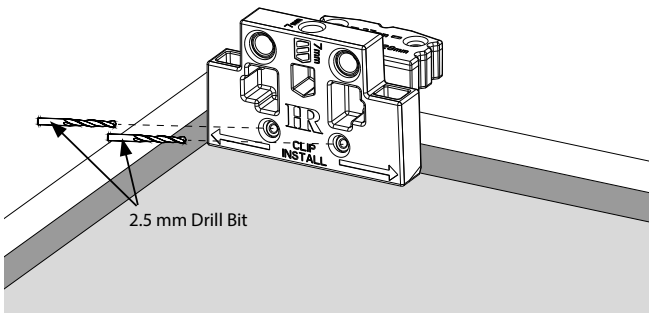
- Mounting Jig
- 7 mm Drill Bit
- 2.5 mm Drill Bit
- Drill Bit Depth Collar

Drilling Location for Rear Hook Hole on Drawer Box; Left and Right

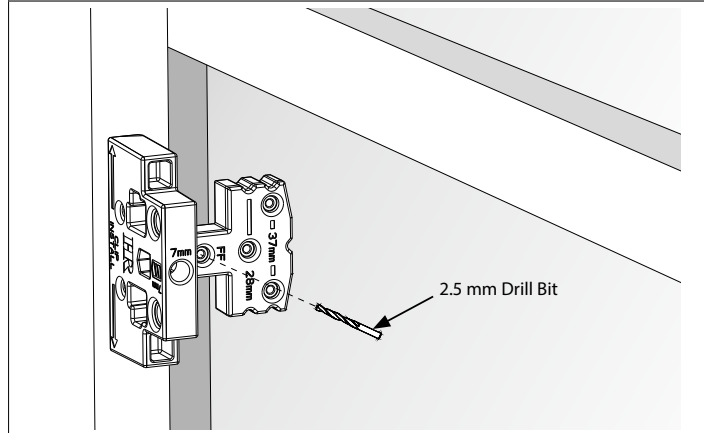


Drilling Location for Hardware Resources Undermount Slide Clip

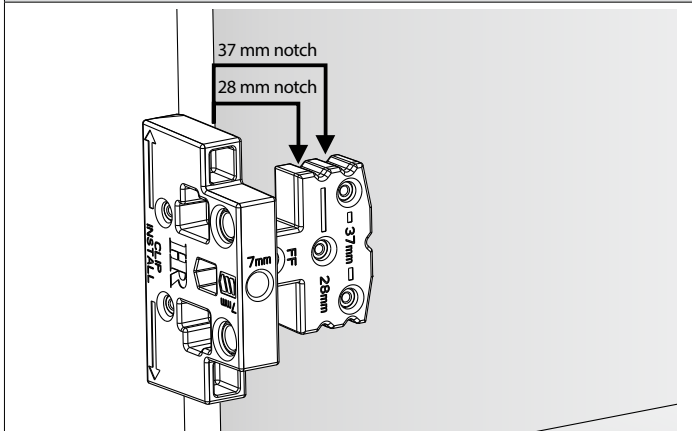
NOTE: Works with USCLIP500-2-xx and USECLIP2ND-xx clips.



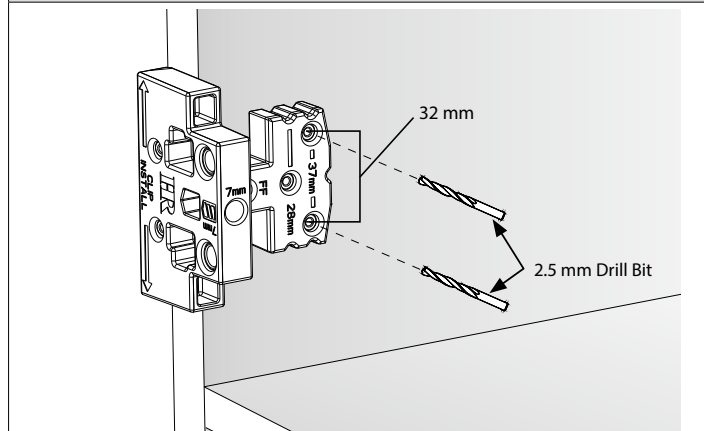
Drill Locations for Compact Hinge on Face Frame Cabinets



"V" Notches for Frameless Hinge Plate Holes at 28 mm and 37 mm Setback



Drill Locations for Hinge Plates in Frameless Cabinets with 37 mm Setback



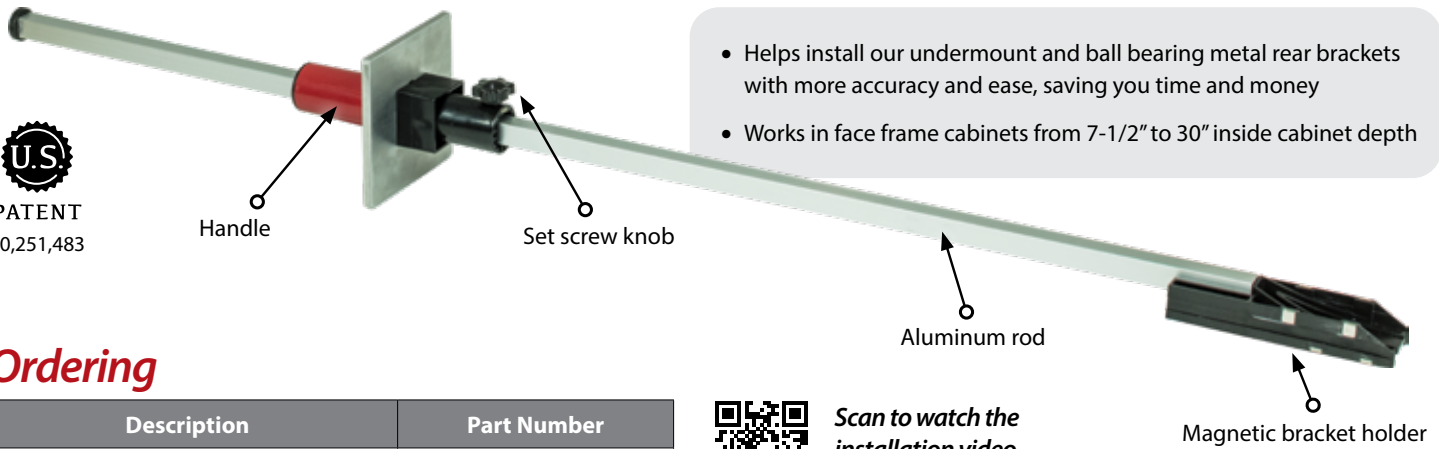
Rear Slide Bracket Installation Tool

HR-TOOL-RBINST

Slide
Accessories



PATENT
10,251,483



- Helps install our undermount and ball bearing metal rear brackets with more accuracy and ease, saving you time and money
- Works in face frame cabinets from 7-1/2" to 30" inside cabinet depth

Ordering

Description	Part Number
Rear Slide Bracket Installation Tool	HR-TOOL-RBINST



Scan to watch the
installation video
delivr.com/2yhj3

Step 1: For Ball Bearing Slides

Insert ball bearing bracket tabs into the side channel of the bracket holder

With the set screw knob facing upward, place the bottom of the magnetic bracket holder into the bottom channel of slide bracket. Make sure the bracket is square and pushed firmly against end of bracket holder.

Step 1: For Undermount Slides

Insert undermount bracket tabs into the bottom channel of the bracket holder

With the set screw knob facing upward, place the inside bottom of the slide bracket against the bottom of the magnetic bracket holder. Make sure the bracket is square and pushed firmly against end of magnetic bracket holder.

Step 2

Make sure set screw knob is facing upward. Loosen set screw.

Step 4

Making sure slide bracket is firmly attached to end of tool, carefully extend aluminum rod to back of cabinet with other hand.

Step 6

Attach slide bracket with screws using a drill or screwdriver.

Step 3

With your hand, grasp installation tool handle and place it in the bottom left corner of drawer opening. Be sure that the handle is flush and square against face frame.

Step 5

Keeping pressure on aluminum rod and bracket, tighten set screw knob for quicker installations of same cabinet depth.

Step 7

Slide out installation tool. Repeat process on right side.

Barn Door Hardware

This Matte Black barn door hardware brings a rustic/farmhouse style to any space. Install a barn door system in any door entryway including closets, pantries, laundry rooms, studies, and more.



Features

- Use two kits side-by-side for a large, double-door opening
- Soft-close damper included
- Maximum door weight of 220 lb.
- 8 ft. track works with doors up to 48" wide
- 6 ft. track works with doors up to 36" wide



Description	Part Number
8 ft. Track	BDH-01MB-96SET Set of 20
6 ft. Track	BDH-01MB-72-R* Sold individually

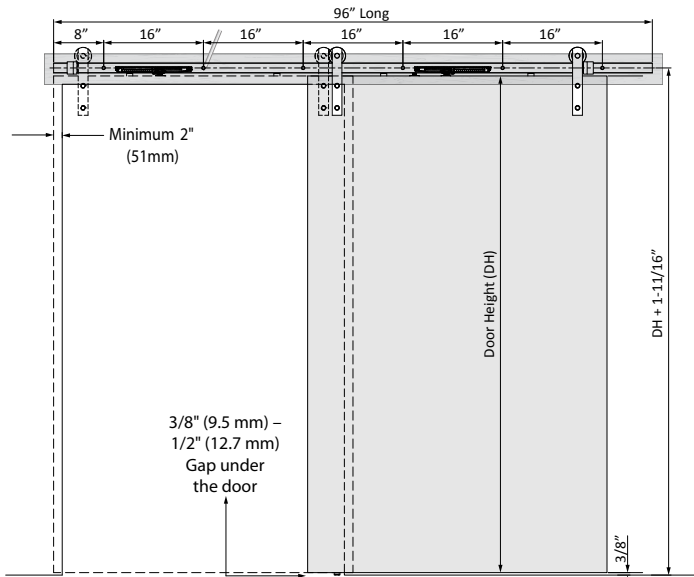
*Retail packaged

The kit includes:

- (1) Flat 8 ft. track for BDH-01MB-96SET; 6 ft. track for BDH-01MB-72-R
- (2) Door rollers
- (2) Door stops
- (2) Anti-jump disk
- (2) Door guide options
- (2) Soft-close dampers
- (6) Wall brackets; (5) for BDH-01MB-72-R
- Accessories in Matte Black finish

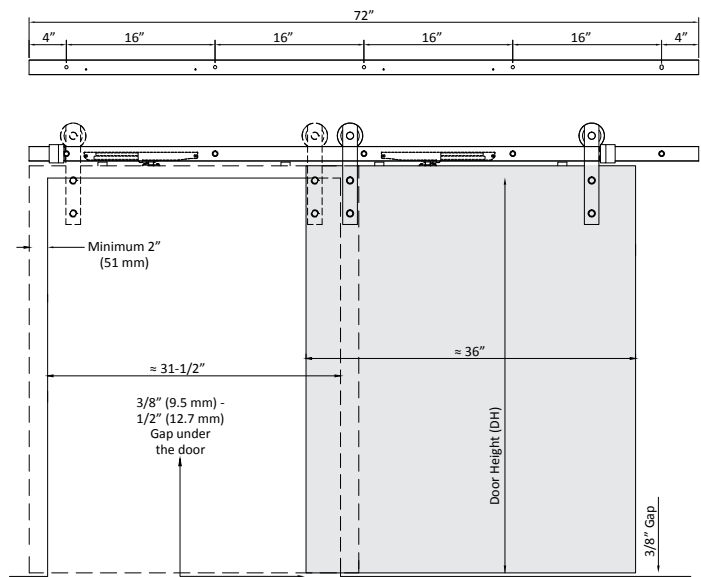
8 ft. Track

BDH-01MB-96



6 ft. Track

BDH-01MB-72-R



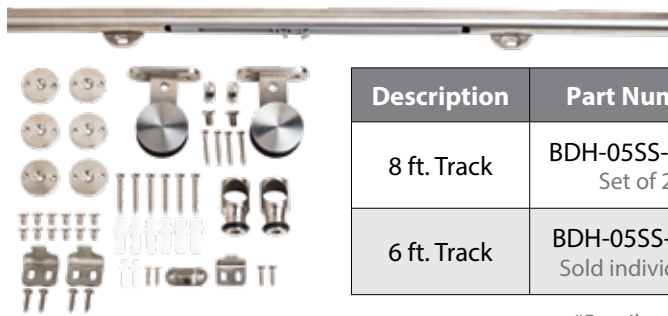
Barn Door Hardware

This Stainless Steel barn door hardware brings modern/industrial style to any space. Install a barn door system in any door entryway including closets, pantries, laundry rooms, studies, and more.



Features

- Use two kits side-by-side for a large, double-door opening
- Soft-close damper included
- Maximum door weight of 175 lb.
- 8 ft. track works with doors up to 48" wide
- 6 ft. track works with doors up to 36" wide



Description	Part Number
8 ft. Track	BDH-05SS-96SET Set of 20
6 ft. Track	BDH-05SS-72-R* Sold individually

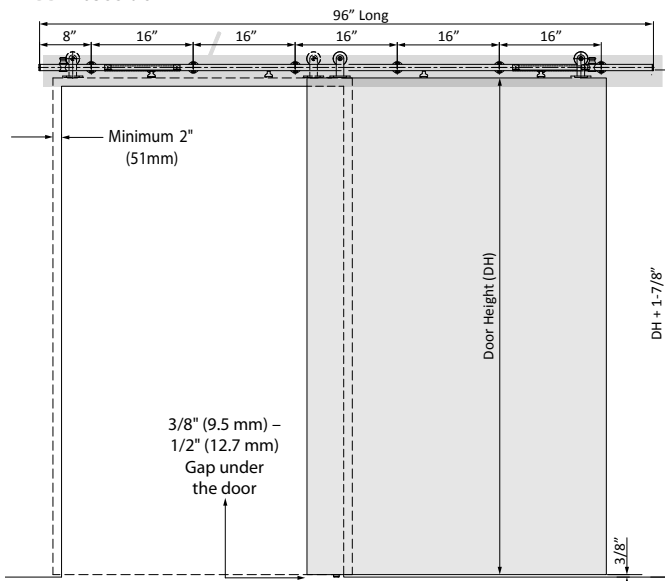
*Retail packaged

The kit includes:

- (1) Flat 8 ft. track for BDH-05SS-96SET; 6 ft. track for BDH-05SS-72-R
- (2) Door rollers
- (2) Door stops
- (2) Anti-jump disk
- (2) Door guide options
- (2) Soft-close dampers
- (6) Wall brackets; (5) for BDH-05SS-72-R
- Accessories in Stainless Steel

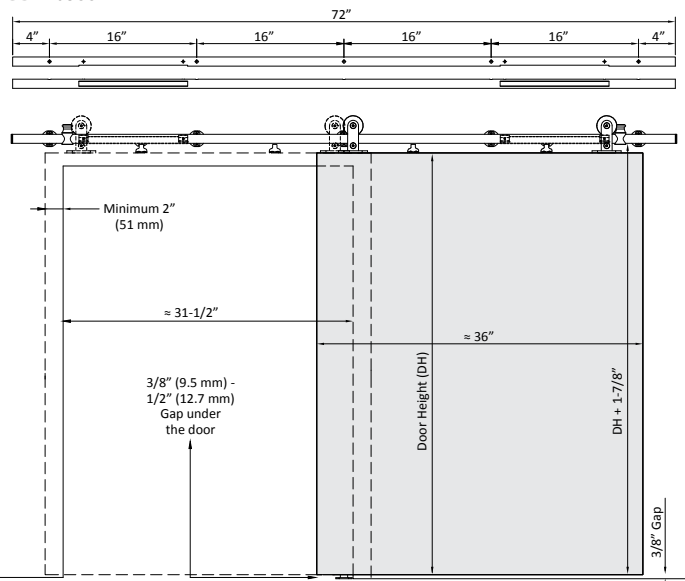
8 ft. Track

BDH-05SS-96



6 ft. Track

BDH-05SS-72-R

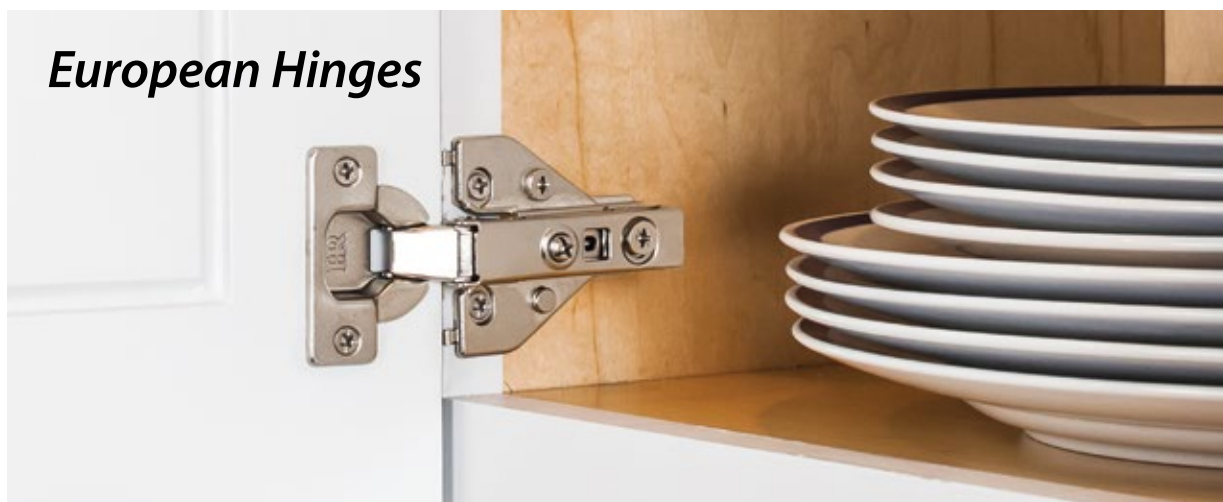


Choosing Hinges for the Job

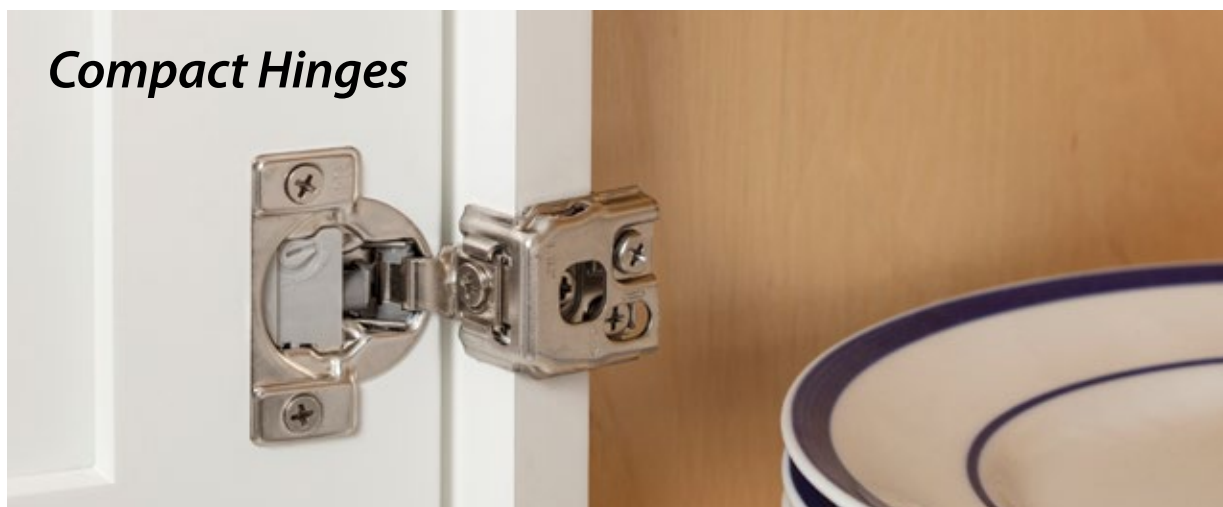


Choosing the best hinge for your application can be challenging. To simplify the process, we've identified the most significant features and benefits for each hinge style to help you choose the best hinge for your job.

European Hinges



Compact Hinges



European Hinges



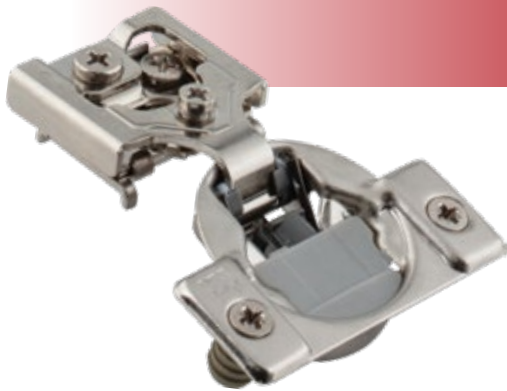
- Used for face frame or frameless cabinetry
- Multiple variations for custom cabinetry—including inset, blind corners, and multiple overlays with a single hinge
- Standard 45 mm boring pattern
- Adjustable tab for fine-tuning overlays

View details about each European Hinge series on pages 72-97



View our Mounting Plate options on pages 84-87 (600 Series) and pages 94-97 (400 Series)

Compact Hinges



- More overlays available (3/8" – 1-1/2"); no need to calculate hinge crank and plate height for overlay
- One-piece design for fast and easy installation
- Standard bore with 3 mm tab for all overlays

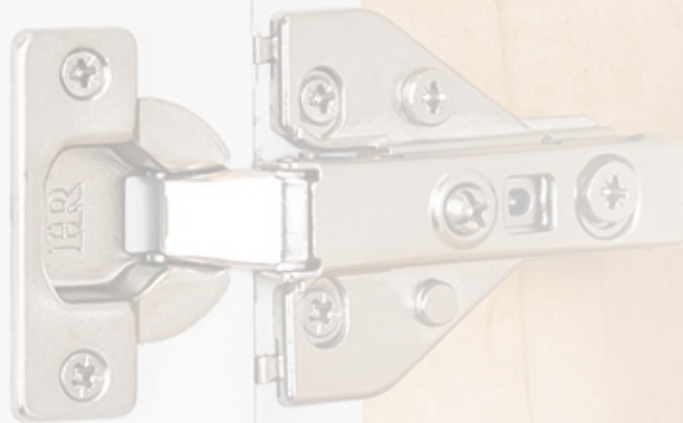
View details about each Compact Hinge series on pages 106-117



European Hinges

Hardware Resources has a well-rounded selection of hinges to meet just about every application: Face Frame/Frameless and Soft-Close/Self-Close.

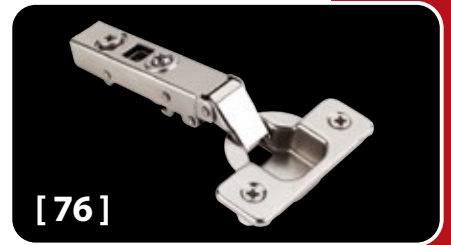
- **1750 Series:** 90° and 110° Heavy-Duty European Hinges with Adjustable Closing Speed
- **725 Series:** 110°, 125° and 165° Heavy-Duty European Hinges
- **700 Series:** 90°, 110°, 125° and 165° Heavy-Duty Soft-Close European Hinges
- **500 Series:** 90°, 110°, 125° and 170° Standard-Duty European Hinges



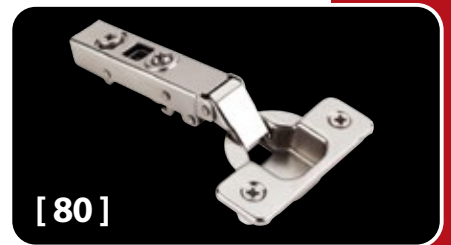
**Heavy-Duty European Hinges with
Adjustable Closing Speed:
1750 Series**



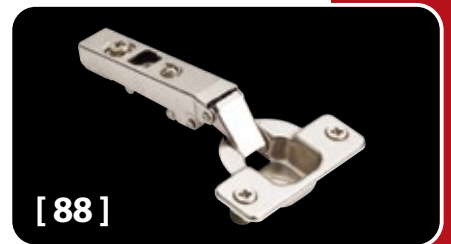
**Heavy-Duty Soft-Close European Hinges:
700 Series**



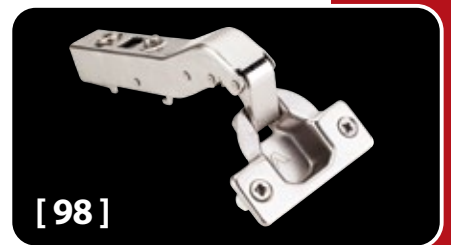
**Heavy-Duty European Hinges:
725 Series**



**Standard-Duty European Hinges:
500 Series**



Specialty Hinges



HR Series Comparison

European Hinges



Series	1750
Category	Adjustable Closing Speed
Grade 1 ANSI/BHMA Certified	100,000+ Cycles
Soft-Close	✓ Adjustable Closing Speed
Overlays Available	Full, Half, Inset
Opening Angle	90° & 110°
Compatible Plate Series	600 Series



700	725	500
Heavy-Duty Soft-Close	Heavy-Duty Self-Close	Standard-Duty Self-Close
100,000+ Cycles	100,000+ Cycles	50,000+ Cycles
✓		
Full, Half, Inset	Full, Half, Inset	Full, Half, Inset
90°, 110°, 125°, 165°	110°, 125°, 165°	90°, 110°, 125°, 170°
600 Series	600 Series	400 Series

Heavy-Duty Hinges with Adjustable Closing Speed

1750 Series

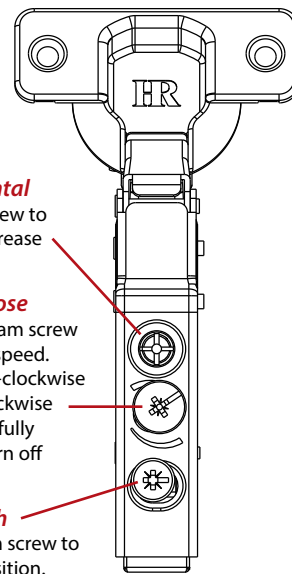
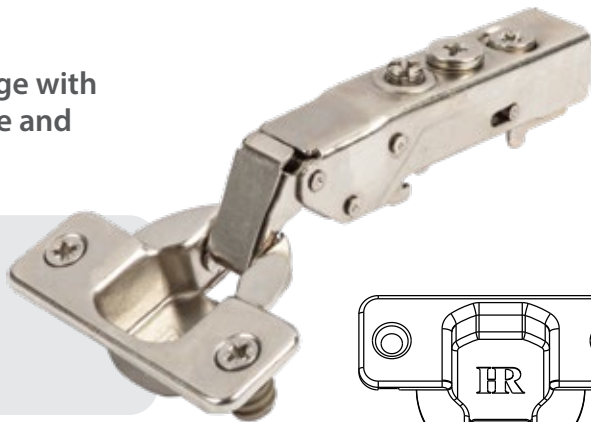
This is a patented, integrated soft-close European hinge with the ability to fine-tune closing speed based on the size and weight of the door.

Features

- Adjustable closing speed
- Grade 2 ANSI/BHMA certified to ANSI 100,000 cycles

Specs




- 90° and 110° opening angles
- 2-stop action
- Hinge and plate provide 6-way adjustability
- Cold-rolled steel with nickel plating
- 45 mm boring pattern
- Compatible with 600 Series mounting plates (see pages 84-87)

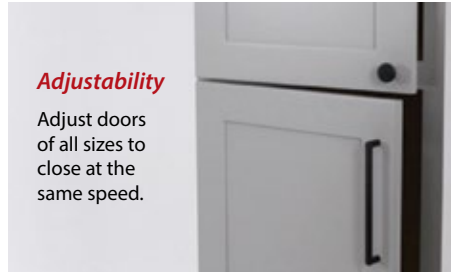


Horizontal
Rotate front screw to increase or decrease door overlay.

Soft-Close
Rotate center cam screw to adjust door speed. Rotate counter-clockwise to increase, clockwise to decrease, or fully clockwise to turn off soft-close.

Depth
Rotate rear cam screw to adjust door position.

APPLICATION	Full Overlay 0 mm Crank	Half Overlay 9 mm Crank	Full Inset 15 mm Crank
90° Hinges			
 Press-in 8 mm Dowels	1750.0161.25 200/ctn		
110° Hinges			
 No Dowels	1750.0535.25 200/ctn	1750.0536.25 200/ctn	1750.0537.25 200/ctn
 Press-in 8 mm Dowels	1750.0181.25 200/ctn	1750.0179.25 200/ctn	1750.0280.25 200/ctn



Adjustability

Adjust doors of all sizes to close at the same speed.

Hinges are cam adjustable unless otherwise noted



90° Restrictor Clip 700.RC
100 pcs/box*

*FULL BOX QUANTITIES ONLY



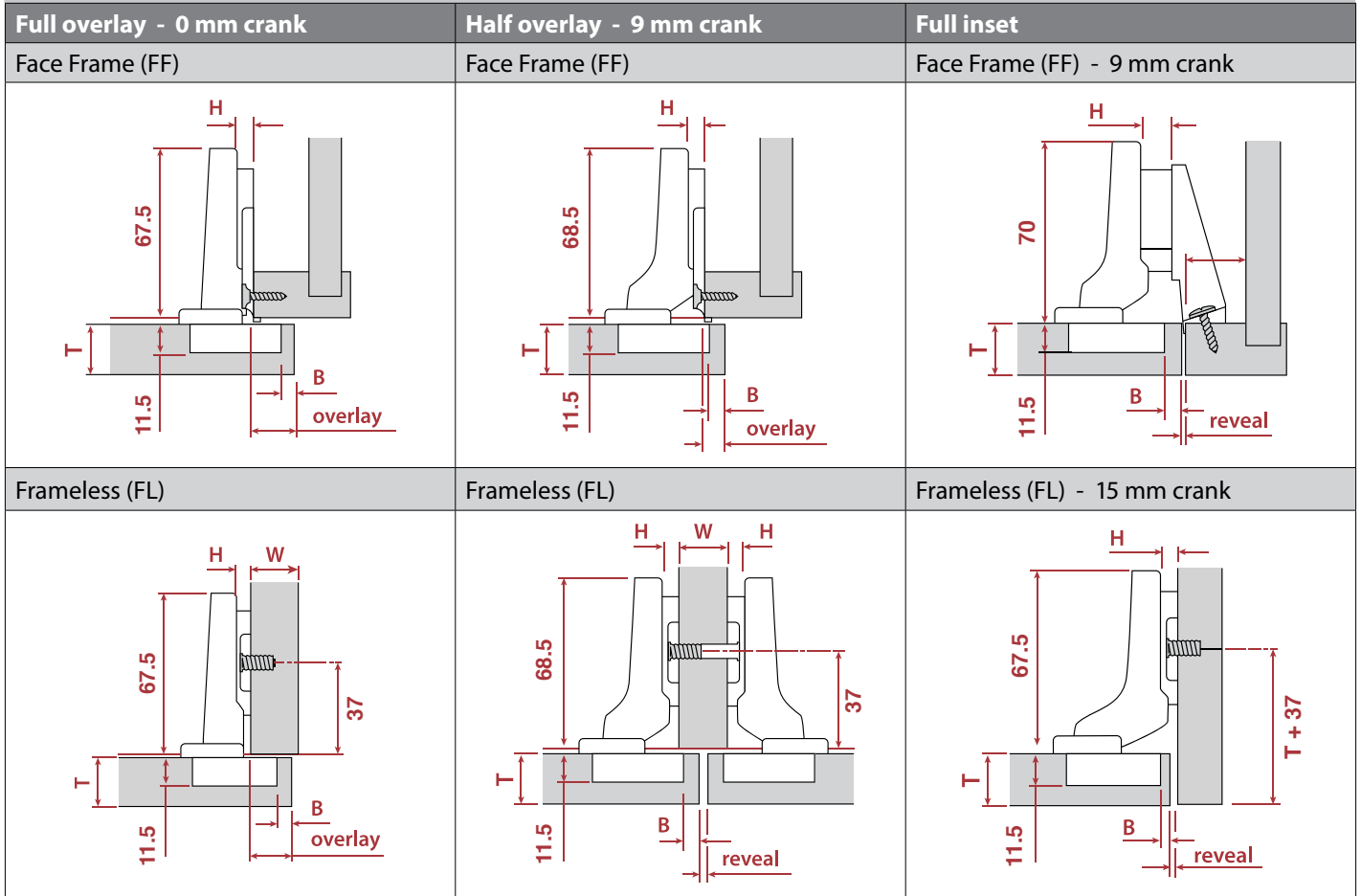
PATENT
9,169,681; 9,617,773;
10,081,975

Certification 	Opening Angle 	Boring Hole Pattern 
Application 	Finish 	Material 
Adjustment 	Overlay 	Packaging 

Heavy-Duty Hinges with Adjustable Closing Speed 1750 Series

European Hinges

90° & 110° Hinges



H	FL/FF	Overlay					P	S
0	FL/FF	16	17	18	19	20	8	18.5
2	FL	14	15	16	17	18	10	20.5
3	FF	13	14	15	16	17	11	21.5
6	FF	10	11	12	13	14	14	24.5
9	FL/FF	7	8	9	10	11	17	27.5
		3	4	5	6	7	Fixed distance = 13	
		B = boring distance (Tab)						

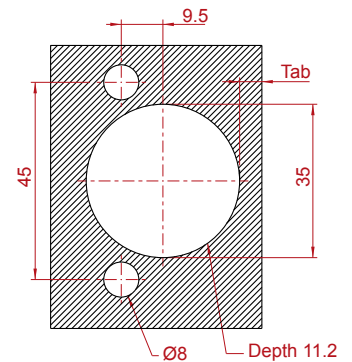
H	FL/FF	Overlay					P	S
0	FL/FF	6	7	8	9	10	17	28
		3	4	5	6	7	Fixed distance = 3	
		B = boring distance (Tab)						

H	FL/FF	Reveal					P	S
0	FL/FF	3	2	1	-	-	26.0	37.5
9	FL/FF	0	-	-	-	-	24.0	33.0
		3	4	5	6	7	Fixed distance = -6	
		B = boring distance (Tab)						

H	FL/FF	Reveal					W	P	S
0	FL/FF	4	2	-	-	-	16		
		7	5	3	1	-	19	17	28
		10	8	6	4	2	22		
		3	4	5	6	7			
		B = boring distance (Tab)							

Abbreviations	
H	= Plate height
P	= Door protrusion
S	= Side arm protrusion
T	= Door thickness
W	= Side panel width
FF	= Face frame
FL	= Frameless

Hinge Length	72.0
Mounting Dimension for Frameless Application*	37
Cup bore depth	11.5



* Inset is "T+" (T=door thickness)

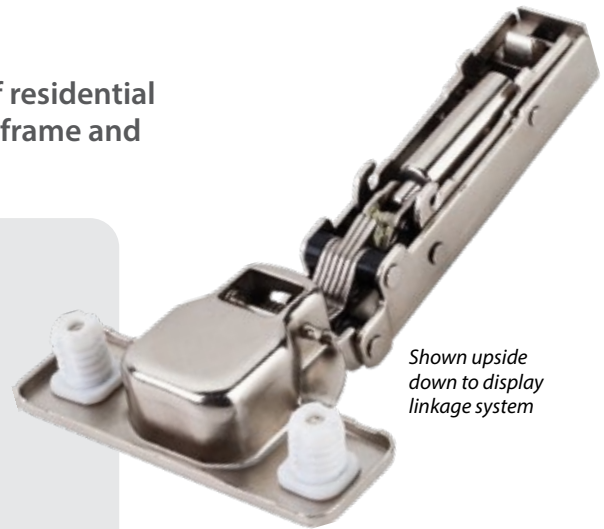
Subject to technical modifications without notice.
Dimensions in millimeters (inch equivalents as noted).

Heavy-Duty Soft-Close European Hinges



700 Series

This soft-close European hinge is ideal for a wide range of residential and commercial applications and is compatible with face frame and frameless cabinetry.



Shown upside down to display linkage system

Features

- Heavy-duty soft-close spring and patented linkage system
- Grade 2 ANSI/BHMA certified to ANSI 100,000 cycles
- All metal concealed damper provides a lifetime of worry-free use
- Lever-Top option available

Specs

- 90°, 110°, 125°, and 165° opening angles
- 2-stop action
- Hinge and plate provide 6-way adjustability
- Cold-rolled steel with nickel plating
- 45 mm boring pattern
- Compatible with 600 Series mounting plates (see pages 84-87)

Opening Angle



Application

Face frame
Frameless

Finish



Adjustment



Overlay



Boring Hole Pattern



Material



Packaging



Certification



Three-dimensional door adjustment

Horizontal adjustment	Vertical adjustment	Depth adjustment
Rotate front screw to increase or decrease door overlay (+/-2 mm).	Rotate cam screw on mounting plate to adjust door position (+/-2 mm). On non-cam mounting plates, loosen screws, adjust door and retighten screws.	Rotate rear cam screw to adjust door position (+3 mm, -2 mm).



8,819,897; 9,470,026;
9,708,840

PATENT

Heavy-Duty Soft-Close European Hinges 700 Series

European
Hinges



Full Overlay
0 mm Crank



Half Overlay
9 mm Crank



Full Inset
15 mm Crank

APPLICATION

90° Hinges - Restricted



Press-in
8 mm Dowels

700.0161.25
200/ctn

110° Hinges



No Dowels

700.0535.25
(cam adjust)
200/ctn

700.0534.25
(screw adjust)
200/ctn

700.0536.25
200/ctn

700.0537.25
200/ctn



Press-in
8 mm Dowels

700.0181.25
(cam adjust)
200/ctn

700.0171.25
(screw adjust)
200/ctn

700.0179.25
200/ctn

700.0280.25
200/ctn

125° Hinges



No Dowels

700.0U85.05
200/ctn



Press-in
8 mm Dowels

700.0U84.05
200/ctn



Easy-Fix
Dowels
with Cover

700.0U86.05
200/ctn



Lever-Top
Dowels

700.0U94.05
200/ctn

Hinges are cam adjustable unless otherwise noted



Full Overlay
0 mm Crank

APPLICATION

165° Hinges - Full Overlay



Press-in
8 mm Dowels

700.0M73.05
50/ctn



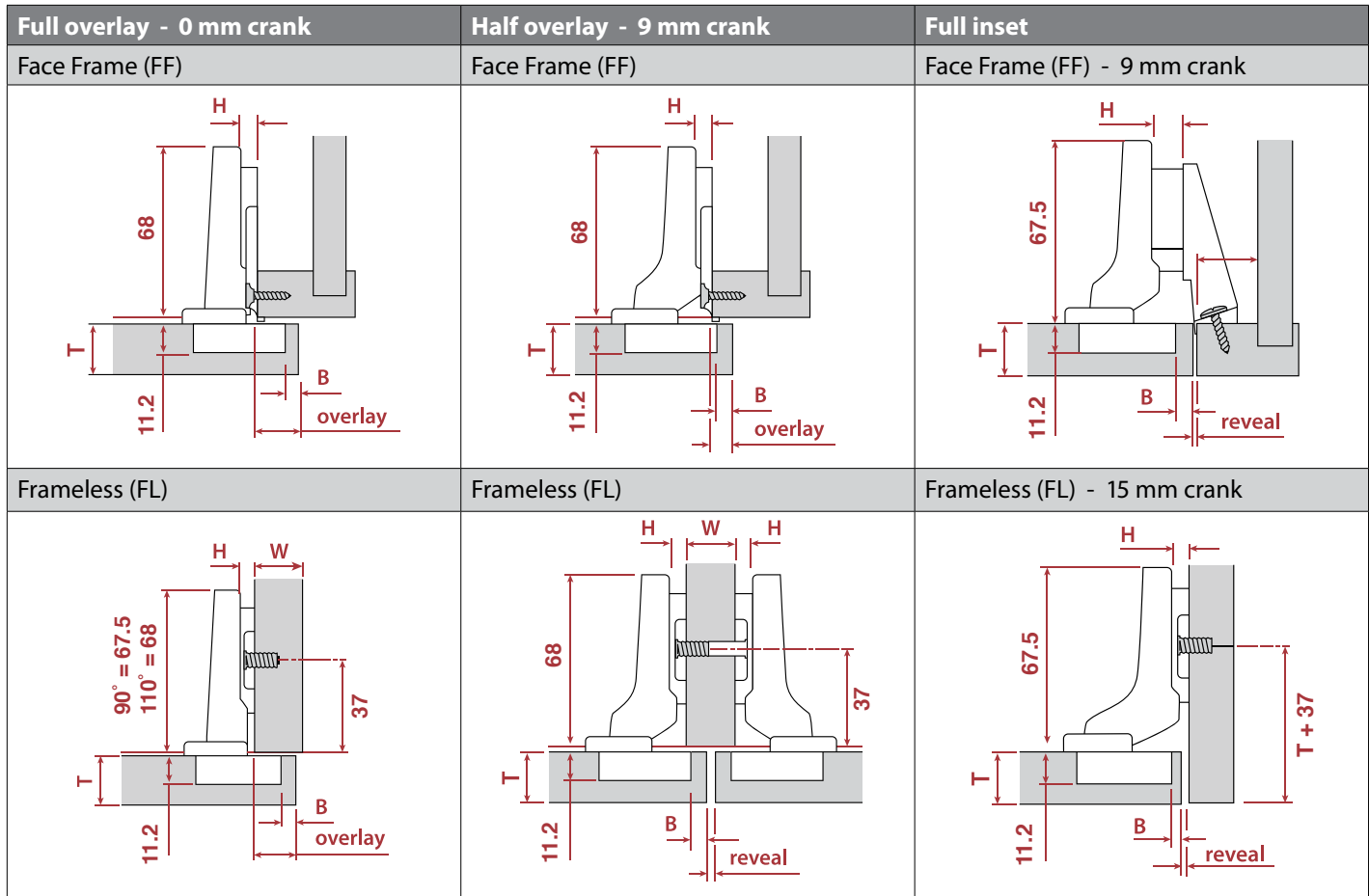
90° Restrictor Clip

700.RC
100 pcs/box*

*FULL BOX QUANTITIES ONLY

Heavy-Duty Soft-Close European Hinges 700 Series

90° & 110° Hinges



H	FL/FF	Overlay - 90°					P	S
0	FL/FF	16	17	18	19	20	4.5	19
2	FL	14	15	16	17	18	6.5	21
3	FF	13	14	15	16	17	7.5	22
6	FF	10	11	12	13	14	10.5	25
9	FL/FF	7	8	9	10	11	13.5	28
		3	4	5	6	7	Fixed distance = 13	
		B = boring distance (Tab)						

H	FL/FF	Overlay					P	S
0	FL/FF	6	7	8	9	10	17	28
		3	4	5	6	7	Fixed distance = 3	
		B = boring distance (Tab)						

H	FL/FF	Reveal					P	S
0	FL/FF	2.5	1.5	0.5	-	-	25.5	37
9	FL/FF	1	-	-	-	-	0	37
		3	4	5	6	7	Fixed distance = -5.5	
		B = boring distance (Tab)						

H	FL/FF	Reveal					W	P	S
0	FL/FF	4	2	-	-	-	16	17	28
		7	5	3	1	-	19		
		10	8	6	4	2	22		
		3	4	5	6	7	B = boring distance (Tab)		

H	FL/FF	Overlay - 110°					P	S
0	FL/FF	16	17	18	19	20	7	19
2	FL	14	15	16	17	18	9	21
3	FF	13	14	15	16	17	10	22
6	FF	10	11	12	13	14	13	25
9	FL/FF	7	8	9	10	11	16	28
		3	4	5	6	7	Fixed distance = 13	
		B = boring distance (Tab)						

Hinge Length	68 (67.5 inset)
Mounting Dimension for Frameless Application*	37
Cup bore depth	11.2

* Inset is "T+" (T=door thickness)

Abbreviations	
H	= Plate height
P	= Door protrusion
S	= Side arm protrusion
T	= Door thickness
W	= Side panel width
FF	= Face frame
FL	= Frameless

Subject to technical modifications without notice. Dimensions in millimeters (inch equivalents as noted).

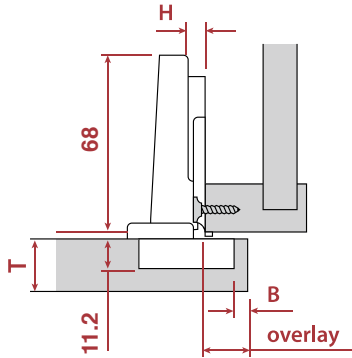
Heavy-Duty Soft-Close European Hinges 700 Series

European Hinges

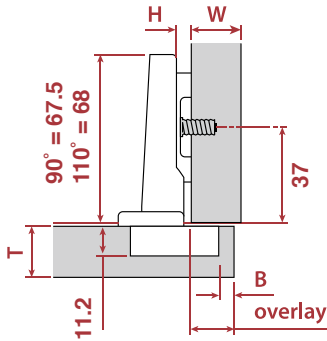
125° Hinges

Full overlay - 0 mm crank

Face Frame (FF)



Frameless (FL)



H	FL/FF	Overlay					P	S
0	FL/FF	16	17	18	19	20	8	19
2	FL	14	15	16	17	18	10	21
3	FF	13	14	15	16	17	11	22
6	FF	10	11	12	13	14	14	25
9	FL/FF	7	8	9	10	11	17	28
		3	4	5	6	7	Fixed distance = 13	
		B = boring distance (Tab)						

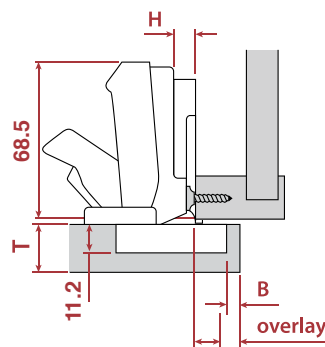
Hinge Length	68
Mounting Dimension for Frameless Application*	37
Cup bore depth	11.2

* Inset is "T+" (T=door thickness)

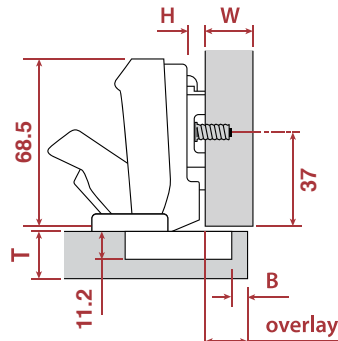
165° Hinges

Full overlay - 0 mm crank

Face Frame (FF)



Frameless (FL)

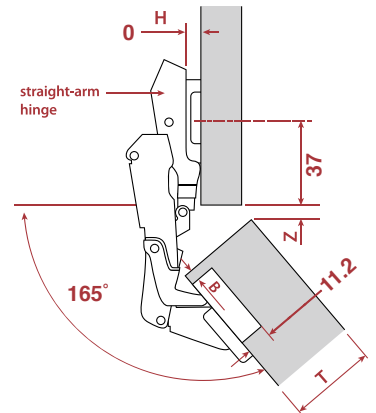


H	FL/FF	Overlay					P	S
0	FL/FF	15	16	17	18	19	-5	58.5
2	FL	13	14	15	16	17	-3	60.5
3	FF	12	13	14	15	16	-2	61.5
6	FF	9	10	11	12	13	1	64.5
9	FL/FF	6	7	8	9	10	4	67.5
		3	4	5	6	7	Fixed distance = 12	
		B = boring distance (Tab)						

Hinge Length	68.5
Mounting Dimension for Frameless Application*	37
Cup bore depth	11.2

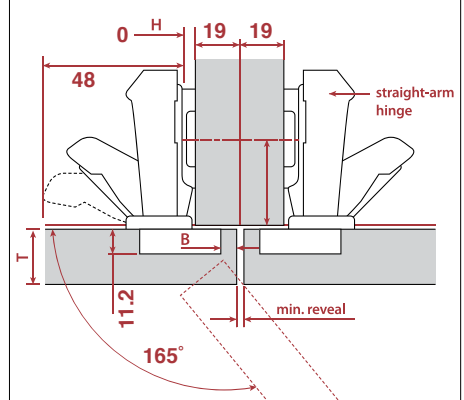
* Inset is "T+" (T=door thickness)

Thick door application

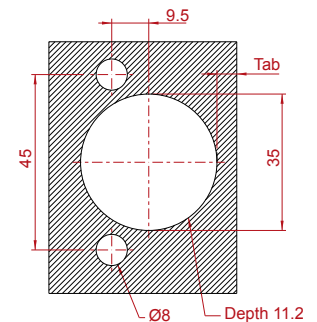


Z=Gap				
28	25	22	18	15
25	29	32	35	38
T = door thickness				

Twin door application



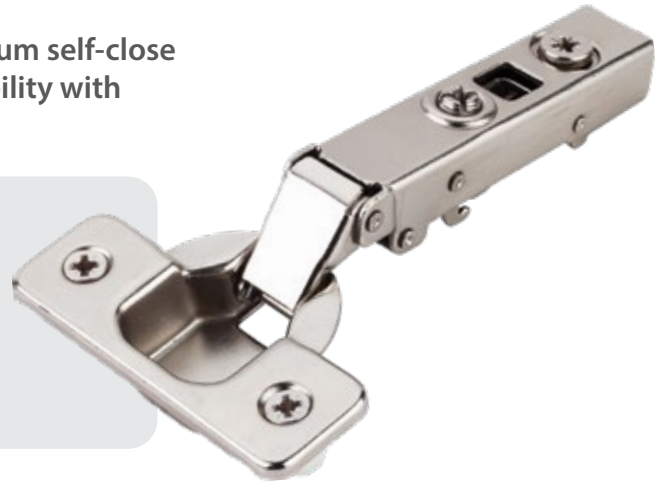
Minimum reveal table					S
0	0	0	14	17	66
19	22	25	29	32	
T = door thickness					



Subject to technical modifications without notice.
Dimensions in millimeters (inch equivalents as noted).

Heavy-Duty European Hinges 725 Series

The 725 series is perfect for those looking for a premium self-close hinge without the premium price. It has proven reliability with nearly a decade of recall-free performance.



Features

Heavy-duty spring and patented linkage system
Grade 2 ANSI/BHMA certified to ANSI 100,000 cycles

Specs

110°, 125°, and 165° opening angles
2-stop action
Hinge and plate provide 6-way adjustability
Cold-rolled steel with nickel plating
45 mm boring pattern
Compatible with 600 Series mounting plates (see pages 84-87)

Opening Angle



Application

Face frame
Frameless

Finish

Nickel Plating

Adjustment

6 way

Overlay

Full
Half
Inset

Boring Hole Pattern

45 mm

Material

Steel

Packaging

200/
carton

Certification

2X
ANSI
100,000+

Three-dimensional door adjustment

Horizontal adjustment	Vertical adjustment	Depth adjustment
Rotate front screw to increase or decrease door overlay (+/-2 mm).	Rotate cam screw on mounting plate to adjust door position (+/-2 mm). On non-cam mounting plates, loosen screws, adjust door and retighten screws.	Rotate rear cam screw to adjust door position (+3 mm, -2 mm).



PATENT

8,819,897; 9,470,026;
9,708,840

Heavy-Duty European Hinges 725 Series

European
Hinges



*Full Overlay
0 mm Crank*



*Half Overlay
9 mm Crank*



*Full Inset
15 mm Crank*

APPLICATION

110° Hinges



No Dowels

725.0535.25
(cam adjust)
200/ctn

725.0534.25
(screw adjust)
200/ctn

725.0536.25
200/ctn

725.0537.25
200/ctn



*Press-in
8 mm Dowels*

725.0181.25
(cam adjust)
200/ctn

725.0171.25
(screw adjust)
200/ctn

725.0179.25
200/ctn

725.0280.25
200/ctn

125° Hinges



No Dowels

725.0U85.05
200/ctn



*Press-in
8 mm Dowels*

725.0U84.05
200/ctn



*Lever-Top
Dowels*

725.0U94.05
200/ctn

Hinges are cam adjustable unless otherwise noted.



*Full Overlay
0 mm Crank*

APPLICATION

165° Hinges - Full Overlay



*Press-in
8 mm Dowels*

725.0M73.05
50/ctn

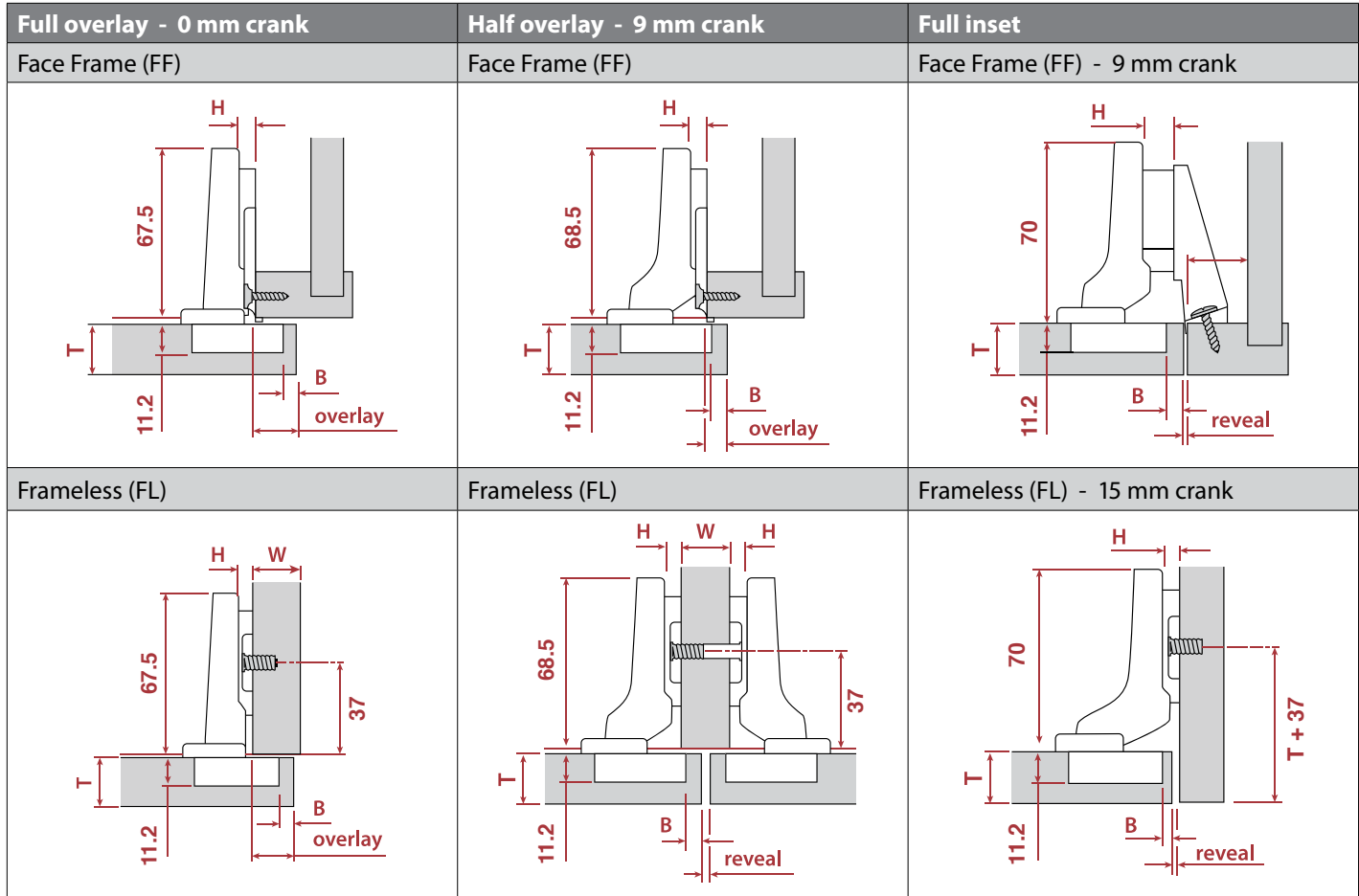


90° Restrictor Clip

700.RC
100 pcs/box*

*FULL BOX QUANTITIES ONLY

110° Hinges



H	Type	Overlay					P	S
0	FL/FF	16	17	18	19	20	8	18.5
2	FL	14	15	16	17	18	10	20.5
3	FF	13	14	15	16	17	11	21.5
6	FF	10	11	12	13	14	14	24.5
9	FL/FF	7	8	9	10	11	17	27.5
		3	4	5	6	7	Fixed distance = 13	
		B = boring distance (Tab)						

H	Type	Overlay					P	S
0	FL/FF	6	7	8	9	10	17	28
		3	4	5	6	7	Fixed distance = 3	
		B = boring distance (Tab)						

H	Type	Reveal					P	S
0	FL/FF	3	2	1	-	-	26.0	37.5
9	FL/FF	0	-	-	-	-	24.0	33.0
		3	4	5	6	7	Fixed distance = -6	
		B = boring distance (Tab)						

H	Type	Reveal					W	P	S
0	FL/FF	4	2	-	-	-	16	17	28
		7	5	3	1	-	19		
		10	8	6	4	2	22		
		3	4	5	6	7			
		B = boring distance (Tab)							

Hinge Length	68.0
Mounting Dimension for Frameless Application*	37
Cup bore depth	11.2

Abbreviations	
H	= Plate height
P	= Door protrusion
S	= Side arm protrusion
T	= Door thickness
W	= Side panel width
FF	= Face frame
FL	= Frameless

* Inset is "T+" (T=door thickness)

Subject to technical modifications without notice. Dimensions in millimeters (inch equivalents as noted).

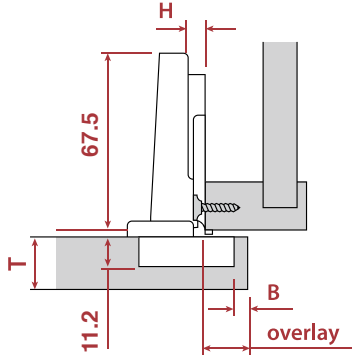
Heavy-Duty European Hinges 725 Series

European Hinges

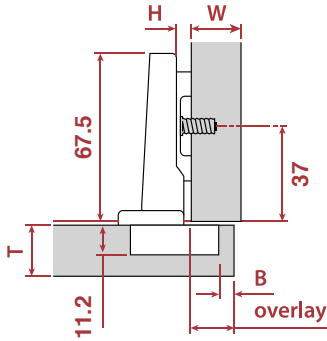
125° Hinges

Full overlay - 0 mm crank

Face Frame (FF)



Frameless (FL)



H	Type	Overlay					P	S
0	FL/FF	16	17	18	19	20	4	19.5
2	FL	14	15	16	17	18	6	21.5
3	FF	13	14	15	16	17	7	22.5
6	FF	10	11	12	13	14	10	25.5
9	FL/FF	7	8	9	10	11	13	28.5
		3	4	5	6	7	Fixed distance = 13	
		B = boring distance (Tab)						

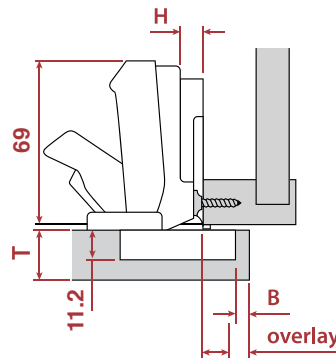
Hinge Length	68
Mounting Dimension for Frameless Application*	37
Cup bore depth	11.2

* Inset is "T+" (T=door thickness)

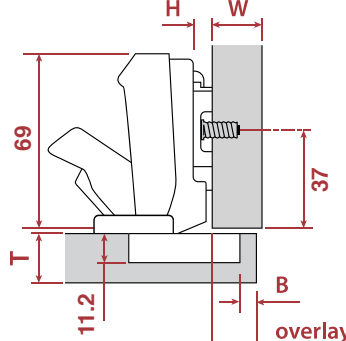
165° Hinges

Full overlay - 0 mm crank

Face Frame (FF)



Frameless (FL)

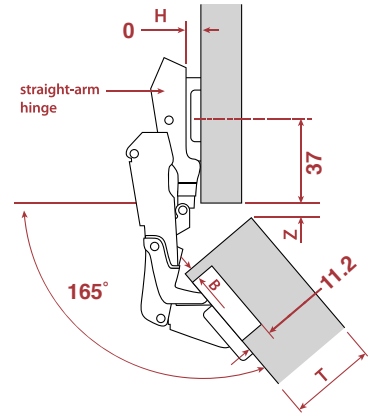


H	Type	Overlay					P	S
0	FL/FF	17	18	19	20	21	-4	58
2	FL	15	16	17	18	19	-2	60
3	FF	14	15	16	17	18	-1	61
6	FF	11	12	13	14	15	2	64
9	FL/FF	8	9	10	11	12	5	67
		3	4	5	6	7	Fixed distance = 14	
		B = boring distance (Tab)						

Hinge Length	69
Mounting Dimension for Frameless Application*	37
Cup bore depth	11.2

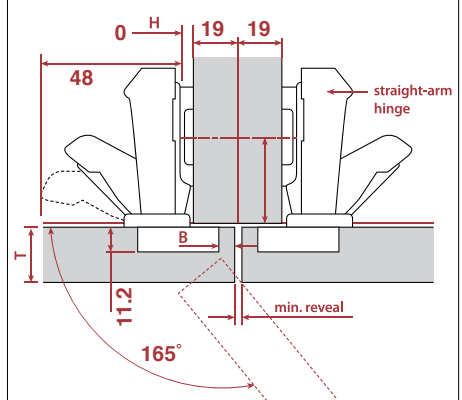
* Inset is "T+" (T=door thickness)

Thick door application

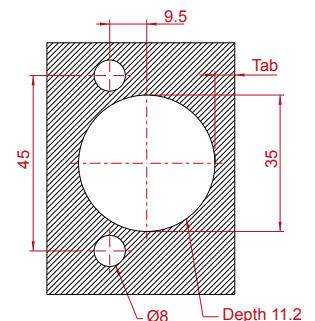


Z=Gap				
28	25	22	18	15
25	29	32	35	38
T = door thickness				

Twin door application













Minimum reveal table					S
0	0	0	14	17	66
19	22	25	29	32	
T = door thickness					



Subject to technical modifications without notice.
Dimensions in millimeters (inch equivalents as noted).

Mounting Plates

For 1750, 725 and 700 Series Hinges

Frameless Cabinetry		0 mm	2 mm	9 mm
Heavy-Duty Zinc Die Cast Cam Adjustable Plates				
	<p>3-hole mounting for added stability and secure attachment Material: Zinc die cast, nickel plated Preassembled with 6.3 mm x 15 mm Euro system screws Height adjustment: +/- 3 mm</p>	600.0P30.05 (screw adjust) 200/ctn	600.0P32.05 [†] (screw adjust) 200/ctn	
	<p>3-hole mounting for added stability and secure attachment Material: Zinc die cast, nickel plated Use #6 x 5/8" flat head wood screws for attachment Height adjustment: +/- 3 mm</p>	600.0R30.05 (screw adjust) 200/ctn	600.0R32.05 [†] (screw adjust) 200/ctn	
	<p>Heavy-Duty Material: Zinc die cast, nickel plated Preassembled with 6.3 mm x 15 mm Euro system screws Cam height adjustment: +/- 2 mm</p>	600.0P72.05 (cam adjust) 200/ctn	600.0P74.05 (cam adjust) 200/ctn	
	<p>Heavy-Duty Material: Zinc die cast, nickel plated Sold without screws Use #6 x 5/8" flat head wood screws for attachment Cam height adjustment: +/- 2 mm</p>	600.0R23.05 (cam adjust) 200/ctn	600.0R25.05 (cam adjust) 200/ctn	600.0P29.05 (cam adjust) 200/ctn
Standard-Duty Steel Cam Adjustable Plates				
	<p>Material: Cold-rolled steel, nickel plated Preassembled with 6.3 mm x 15 mm Euro system screws Cam height adjustment: +/- 2 mm</p>	600.0P71.05 200/ctn	600.0P73.05 200/ctn	
	<p>Material: Cold-rolled steel, nickel plated Sold without screws Use #6 x 5/8" flat head wood screws for attachment Cam height adjustment: +/- 2 mm</p>	600.0R22.05 200/ctn	600.0R24.05 200/ctn	
Standard-Duty Steel Non-Cam Adjustable Plates				
	<p>Material: Cold-rolled steel, nickel plated Preassembled with 6.3 mm x 15 mm Euro system screws Height adjustment: +/- 3 mm</p>	600.0118.05 200/ctn	600.0119.05 200/ctn	
	<p>Material: Cold-rolled steel, nickel plated Sold without screws Use #6 x 5/8" flat head wood screws for attachment Height adjustment: +/- 3 mm</p>	600.1233.05 200/ctn	600.1234.05 200/ctn	
	<p>Dowels provide a stronger holding force for the hinge and plate Material: Cold-rolled steel, nickel plated Preassembled with wood screws 5 mm expansion dowels Height adjustment: +/- 3 mm</p>	600.2118.05 200/ctn		
	<p>Used for back-to-back hinge installation in 19 mm material Material: Cold-rolled steel, nickel plated Preassembled with 6.3 mm x 10 mm shortened Euro system screws Height adjustment: +/- 3 mm</p>	600.3118.05 200/ctn		

Mounting Plates

For 1750, 725 and 700 Series Hinges

European
Hinges

Face Frame Cabinetry

0 mm

3 mm

6 mm

9 mm

Heavy-Duty Zinc Die Cast Cam Adjustable Plates



Material: Zinc die cast, nickel plated
Sold without screws
Use #6 x 5/8" flat head wood screws for attachment
Cam height adjustment: +/- 3.5 mm

600.3553.65
200/ctn

600.3554.65
200/ctn

600.3555.65
200/ctn



Material: Zinc die cast, nickel plated
Sold without screws
Use #6 x 5/8" flat head wood screws for attachment
Designed for inset applications using 9 mm crank hinges
Cam height adjustment: +/- 3.5 mm

600.3458.65
200/ctn

Heavy-Duty Zinc Die Cast Non-Cam Adjustable Plates



Material: Zinc die cast, nickel plated
Sold without screws
Use #6 x 5/8" flat head wood screws for attachment
Height adjustment: +/- 3.5 mm

600.3453.65
200/ctn

600.3454.65
200/ctn

600.3455.65
200/ctn



Material: Zinc die cast, nickel plated
Sold without screws
Use #6 x 5/8" flat head wood screws for attachment
Wrap around designed for MDF/plywood face frames
where 4 screws are needed to secure the plate and
prevent screw pull out
Height adjustment: +/- 3.5 mm

600.3459.65
200/ctn

Standard-Duty Steel Non-Cam Adjustable Plates



Material: Stamped steel, nickel plated
Sold without screws
Use #6 x 5/8" flat head wood screws for attachment
Height adjustment: +/- 3.5 mm

600.3456.65
200/ctn

600.3457.65
200/ctn

Hinge & Plate Selection Guide

For 1750, 725 and 700 Series Hinges

Frameless Cabinetry										SC = Soft-Close
Full Overlay					Half Overlay					
Hinge / 0 Crank	Dowel	Adj	Plate / 0 mm	Mat.	Hinge / 9 Crank	Dowel	Adj	Plate / 0 mm	Mat.	
90° 1750.0161.25 SC	None	Cam	600.0R23.05 Cam	Zinc	110° 1750.0179.25 SC	Press-in	Cam	600.0R23.05 Cam	Zinc	
90° 700.0161.25 SC	Press-in	Cam	600.0P72.05 Cam/Euro	Zinc	110° 1750.0536.25 SC	None	Cam	600.0P72.05 Cam/Euro	Zinc	
110° 1750.0181.25 SC	Press-in	Cam	600.0P30.05 3-Hole	Zinc	110° 700.0179.25 SC	Press-in	Cam	600.0P30.05 3-Hole	Zinc	
110° 1750.0535.25 SC	None	Cam	600.0R30.05 3-Hole	Zinc	110° 700.0536.25 SC	None	Cam	600.0R30.05 3-Hole	Zinc	
110° 700.0181.25 SC	Press-in	Cam	600.0R22.05 Cam	Steel	110° 725.0179.25	Press-in	Cam	600.0R22.05 Cam	Steel	
110° 700.0535.25 SC	None	Cam	600.0P71.05 Cam/Euro	Steel	110° 725.0536.25	None	Cam	600.0P71.05 Cam/Euro	Steel	
110° 700.0171.25 SC	Press-In	Screw	600.0118.05 Euro	Steel				600.0118.05 Euro	Steel	
110° 700.0534.25 SC	None	Screw	600.3118.05 Euro	Steel				600.3118.05 Euro	Steel	
110° 725.0181.25	Press-in	Cam	600.1233.05	Steel				600.1233.05	Steel	
110° 725.0535.25	None	Cam	600.2118.05	Steel				600.2118.05	Steel	
110° 725.0171.25	Press-In	Screw								
110° 725.0534.25	None	Screw								
125° 700.0U84.05 SC	Press-in	Cam								
125° 700.0U86.05 SC	Easy-Fix	Cam								
125° 700.0U94.05 SC	Lever	Cam								
125° 700.0U85.05 SC	None	Cam								
125° 725.0U84.05	Press-in	Cam								
125° 725.0U94.05	Lever	Cam								
125° 725.0U85.05	None	Cam								
165° 700.0M73.05 SC	Press-in	Cam								
165° 725.0M73.05	Press-in	Cam								
Inset					45 Degree					
Hinge / 15 Crank	Dowel	Adj	Plate / 0 mm	Mat.	Hinge / 18 Crank	Dowel	Adj	Plate / 0 mm	Mat.	
110° 1750.0280.25 SC	Press-in	Cam	600.0R23.05 Cam	Zinc	105° 700.0N20.05 SC	Press-in	Screw	600.0R23.05 Cam	Zinc	
110° 1750.0537.25 SC	None	Cam	600.0P72.05 Cam/Euro	Zinc				600.0P72.05 Cam/Euro	Zinc	
110° 700.0280.25 SC	Press-in	Cam	600.0P30.05 3-Hole	Zinc				600.0P30.05 3-Hole	Zinc	
110° 700.0537.25 SC	None	Cam	600.3118.05 Euro	Steel				600.0R30.05 3-Hole	Zinc	
110° 725.0280.25	Press-in	Cam	600.0R22.05 Cam	Steel				600.0R22.05 Cam	Steel	
110° 725.0537.25	None	Cam	600.0P71.05 Cam/Euro	Steel				600.0P71.05 Cam/Euro	Steel	
			600.0118.05 Euro	Steel				600.0118.05 Euro	Steel	
			600.1233.05	Steel				600.3118.05 Euro	Steel	
			600.2118.05	Steel				600.1233.05	Steel	
								600.2118.05	Steel	
					90 Degree Blind Corner (Inset application/no overlay)					
Hinge / 15 Crank	Dowel	Adj	Plate / 0 mm	Mat.	Hinge / 18 Crank	Dowel	Adj	Plate / 0 mm	Mat.	
110° 1750.0280.25 SC	Press-in	Cam	600.0R23.05 Cam	Zinc	105° 700.0N24.05 SC	Press-in	Screw	600.0R23.05 Cam	Zinc	
110° 1750.0537.25 SC	None	Cam	600.0P72.05 Cam/Euro	Zinc				600.0P72.05 Cam/Euro	Zinc	
110° 700.0280.25 SC	Press-in	Cam	600.0P30.05 3-Hole	Zinc				600.0P30.05 3-Hole	Zinc	
110° 700.0537.25 SC	None	Cam	600.3118.05 Euro	Steel				600.0R30.05 3-Hole	Zinc	
110° 725.0280.25	Press-in	Cam	600.0R22.05 Cam	Steel				600.0R22.05 Cam	Steel	
110° 725.0537.25	None	Cam	600.0P71.05 Cam/Euro	Steel				600.0P71.05 Cam/Euro	Steel	
			600.0118.05 Euro	Steel				600.0118.05 Euro	Steel	
			600.1233.05	Steel				600.3118.05 Euro	Steel	
			600.2118.05	Steel				600.1233.05	Steel	
								600.2118.05	Steel	

Hinge & Plate Selection Guide

For 1750, 725 and 700 Series Hinges

<i>Face Frame Cabinetry</i>										<i>SC = Soft-Close</i>
<i>3/4" Overlay</i>					<i>1/2" Overlay</i>					
<i>Hinge /0 Crank</i>	<i>Dowel</i>	<i>Adj</i>	<i>Plate /0 mm</i>	<i>Mat.</i>	<i>Hinge /0 Crank</i>	<i>Dowel</i>	<i>Adj</i>	<i>Plate /3 mm</i>	<i>Mat.</i>	
90° 700.0161.25 SC	Press-in	Cam	600.3553.65 Cam	Zinc	90° 700.0161.25 SC	Press-in	Cam	600.3554.65 Cam	Zinc	
110° 1750.0181.25 SC	Press-in	Cam	600.3453.65	Zinc	110° 1750.0181.25 SC	Press-in	Cam	600.3459.65 Wrap Around	Zinc	
110° 1750.0535.25 SC	None	Cam	600.3456.65	Steel	110° 1750.0535.25 SC	None	Cam	600.3454.65	Zinc	
110° 700.0181.25 SC	Press-in	Cam			110° 700.0181.25 SC	Press-in	Cam	600.3457.65	Steel	
110° 700.0535.25 SC	None	Cam			110° 700.0535.25 SC	None	Cam			
110° 725.0181.25	Press-in	Cam			110° 725.0181.25	Press-in	Cam			
110° 725.0535.25	None	Cam			110° 725.0535.25	None	Cam			
110° 725.0171.25	Press-in	Screw			110° 725.0171.25	Press-in	Screw			
110° 725.0534.25	None	Screw			110° 725.0534.25	None	Screw			
125° 700.0U84.05 SC	Press-in	Cam			125° 700.0U84.05 SC	Press-in	Cam			
125° 700.0U86.05 SC	Easy-Fix	Cam			125° 700.0U86.05 SC	Easy-Fix	Cam			
125° 700.0U94.05 SC	Lever	Cam			125° 700.0U94.05 SC	Lever	Cam			
125° 700.0U85.05 SC	None	Cam			125° 700.0U85.05 SC	None	Cam			
125° 725.0U84.05	Press-in	Cam			125° 725.0U84.05	Press-in	Cam			
125° 725.0U94.05	Lever	Cam			125° 725.0U94.05	Lever	Cam			
125° 725.0U85.05	None	Cam			125° 725.0U85.05	None	Cam			
165° 700.0M73.05 SC	Press-in	Cam			165° 700.0M73.05 SC	Press-in	Cam			
165° 725.0M73.05	Press-in	Cam			165° 725.0M73.05	Press-in	Cam			
					165° 725.0M73.05	Press-in	Cam			
<i>3/8" Overlay</i>					<i>Inset</i>					
<i>Hinge /9 Crank</i>	<i>Dowel</i>	<i>Adj</i>	<i>Plate /0 mm</i>	<i>Mat.</i>	<i>Hinge /9 Crank</i>	<i>Dowel</i>	<i>Adj</i>	<i>Plate /9 mm Inset</i>	<i>Mat.</i>	
110° 1750.0179.25 SC	Press-in	Cam	600.3553.65 Cam	Zinc	110° 1750.0179.25 SC	Press-in	Cam	600.3458.65 Cam	Zinc	
110° 1750.0536.25 SC	None	Cam	600.3453.65	Zinc	110° 1750.0536.25 SC	None	Cam			
110° 700.0179.25 SC	Press-in	Cam	600.3456.65	Steel	110° 700.0179.25 SC	Press-in	Cam			
110° 700.0536.25 SC	None	Cam			110° 700.0536.25 SC	None	Cam			
110° 725.0179.25	Press-in	Cam			110° 725.0179.25	Press-in	Cam			
110° 725.0536.25	None	Cam			110° 725.0536.25	None	Cam			

Standard-Duty European Hinges 500 Series

Hardware Resources' tried-and-true standard-duty European hinge provides the performance you need with a price you can't resist. It has proven reliability with nearly two decades of industry performance.



Features

Grade 2 ANSI/BHMA certified to ANSI 50,000 cycles

Specs

90°, 110°, 125°, and 170° opening angles
 1-stop action
 Hinge and plate provide 6-way adjustability
 Cold-rolled steel with nickel plating
 45 mm boring pattern
 Compatible with 400 Series mounting plates (see pages 94-97)

Opening Angle



Application

Face frame
Frameless

Finish


Nickel Plating

Adjustment


6 way

Overlay

Full
Half
Inset

Boring Hole Pattern

45 mm

Material


Steel

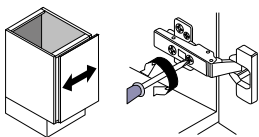
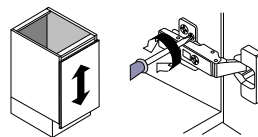
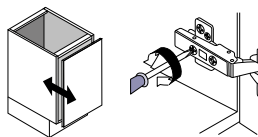
Packaging


200/
carton

Certification


ANSI
50,000+

Three-dimensional door adjustment

Horizontal adjustment	Vertical adjustment	Depth adjustment
Rotate front screw to increase or decrease door overlay (+/-2 mm).	Rotate cam screw on mounting plate to adjust door position (+/-2 mm). On non-cam mounting plates, loosen screws, adjust door and retighten screws.	Rotate rear cam screw to adjust door position (+3 mm, -2 mm).
		

Standard-Duty European Hinges 500 Series

European Hinges



Full Overlay
0 mm Crank



Half Overlay
9 mm Crank



Full Inset
15 mm Crank

APPLICATION

90° Hinges - Restricted



Press-in
8 mm Dowels

500.0161.75
200/ctn

110° Hinges



No Dowels

500.0535.75
(cam adjust)
200/ctn

500.0534.75
(screw adjust)
200/ctn

500.0536.75
200/ctn

500.0537.75
200/ctn



Press-in
8 mm Dowels

500.0181.75
(cam adjust)
200/ctn

500.0171.75
(screw adjust)
200/ctn

500.0179.75
(cam adjust)
200/ctn

500.0279.75
(screw adjust)
200/ctn

500.0280.75
200/ctn



Easy-Fix
Dowels

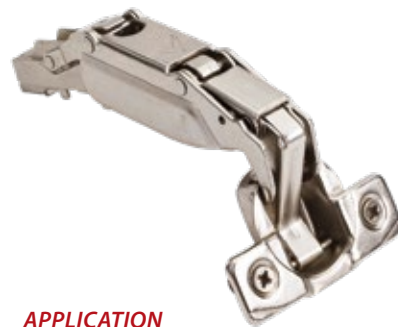
500.0186.75
(cam adjust)
200/ctn

110° Free-Swinging Hinges (Non-self-closing)



Press-in
8 mm Dowels

500.0141.75
(cam adjust)
200/ctn



APPLICATION

Full Overlay
0 mm Crank

125° Hinges



No Dowels

500.0U85.75
200/ctn

170° Hinges - Full Overlay



Press-in
8 mm Dowels

500.0U84.75
200/ctn



Press-in
8 mm Dowels

500.0M73.75
50/ctn



Easy-Fix
Dowels

500.0U86.75
200/ctn

Hinges are cam adjustable unless otherwise noted.

See page 118-119 for Soft-Close Dampers

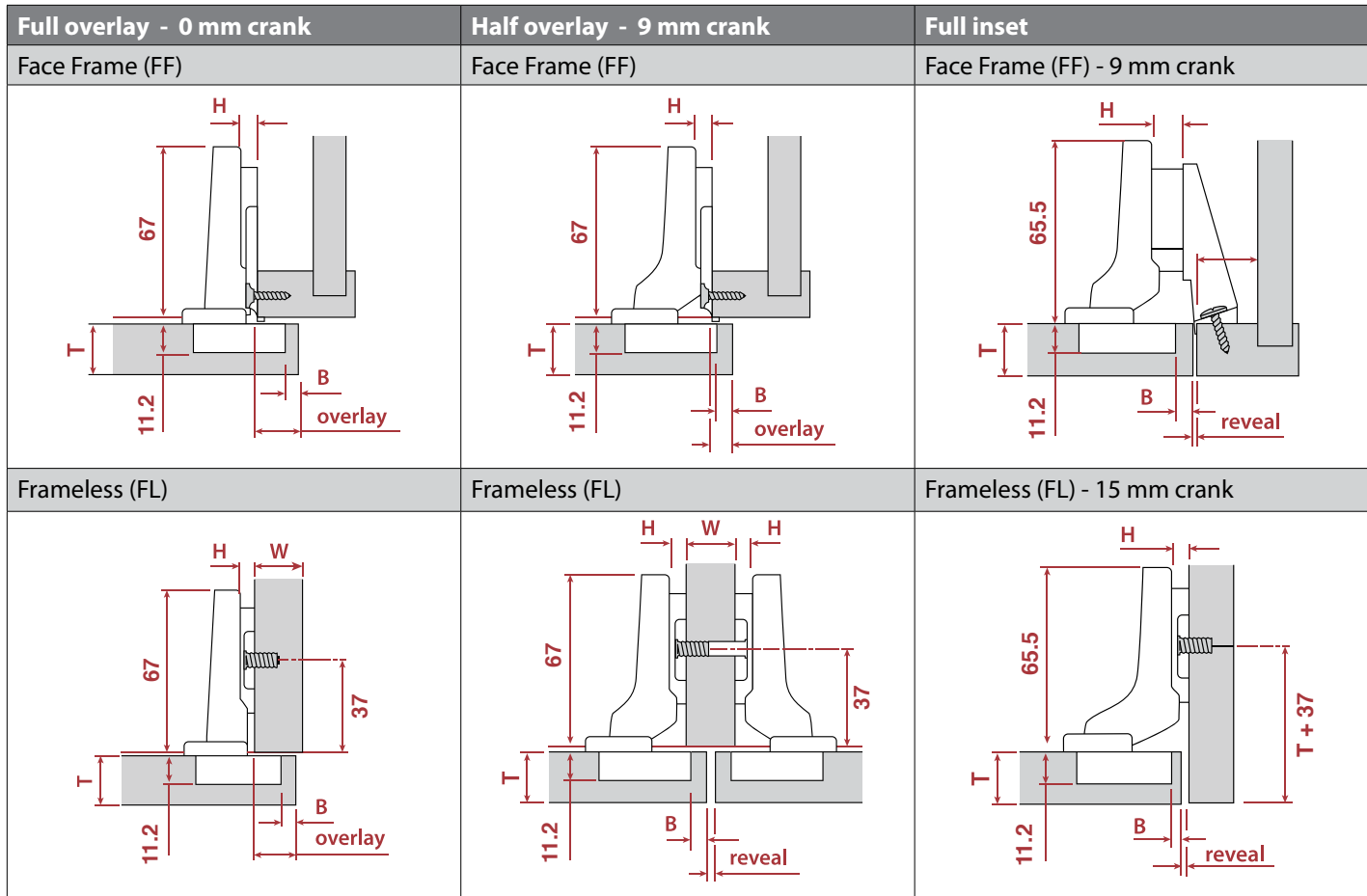


90° Restrictor Clip

575.RC
100 pcs/box*

*FULL BOX QUANTITIES ONLY

90° & 110° Hinges



H	FL/FF	Overlay - 90°					P	S
0	FL/FF	14	15	16	17	18	4	19
3	FL/FF	11	12	13	14	15	7	22
6	FF	8	9	10	11	12	10	25
9	FL/FF	5	6	7	8	9	13	28
		3	4	5	6	7	Fixed distance = 11	
		B = boring distance (Tab)						

H	FL/FF	Overlay - 110°					P	S
0	FL/FF	15	16	17	18	19	5	18
3	FL/FF	12	13	14	15	16	8	21
6	FF	9	10	11	12	13	11	24
9	FL/FF	6	7	8	9	10	14	27
		3	4	5	6	7	Fixed distance = 12	
		B = boring distance (Tab)						

H	FL/FF	Overlay					P	S
0	FL/FF	5.5	6.5	7.5	8.5	9.5	14.5	27
		3	4	5	6	7	Fixed distance = 2.5	
		B = boring distance (Tab)						

H	FL/FF	Reveal					W	P	S
0	FL/FF	5	3	1	-1	-3	16		
		8	6	4	2	0	19	14.5	27
		11	9	7	5	3	22		
		3	4	5	6	7			
		B = boring distance (Tab)							

Hinge Length	67 (65.5 inset)
Mounting Dimension for Frameless Application*	38.5
Cup bore depth	11.2

H	FL/FF	Reveal					P	S
9	FL/FF	0	-	-	-	-	22	33.5
		3	4	5	6	7	Fixed distance = -5.5	
		B = boring distance (Tab)						

Abbreviations	
H	= Plate height
P	= Door protrusion
S	= Side arm protrusion
T	= Door thickness
W	= Side panel width
FF	= Face frame
FL	= Frameless

* Inset is "T+" (T=door thickness)

Subject to technical modifications without notice. Dimensions in millimeters (inch equivalents as noted).

Standard-Duty European Hinges 500 Series

European Hinges

110° Hinges Free-swinging

125° Hinges

Full overlay - 0 mm crank

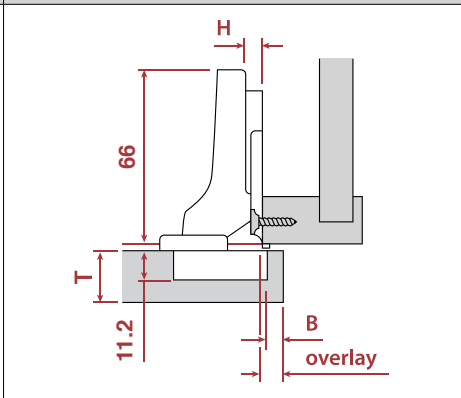
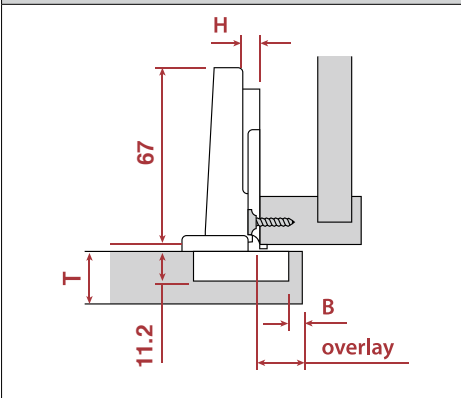
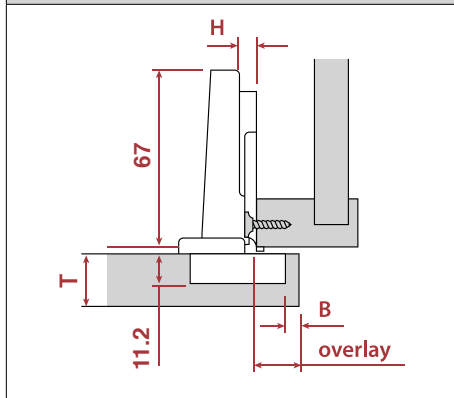
Full overlay - 0 mm crank

Half overlay - 9 mm crank

Face Frame (FF)

Face Frame (FF)

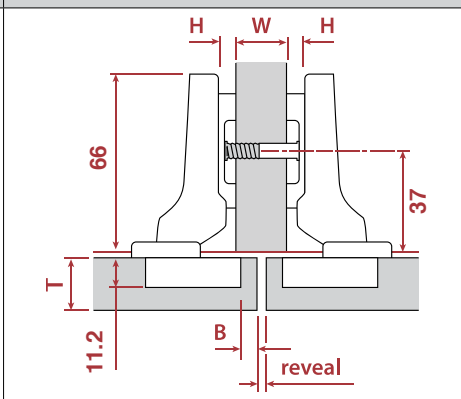
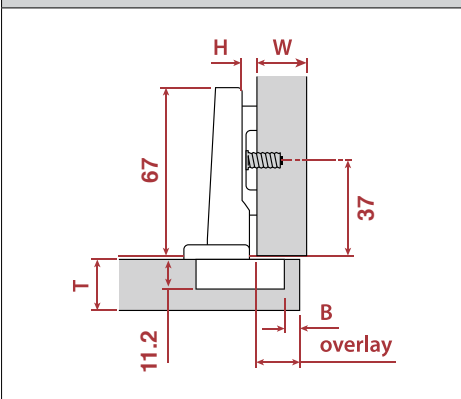
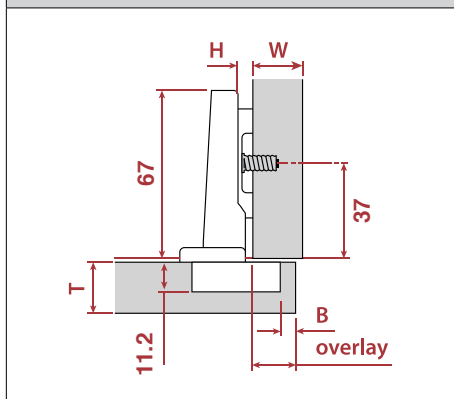
Face Frame (FF)



Frameless (FL)

Frameless (FL)

Frameless (FL)



H	FL/FF	Overlay						P	S
0	FL/FF	14	15	16	17	18	5.5	20	
3	FL/FF	11	12	13	14	15	8.5	23	
6	FF	8	9	10	11	12	11.5	26	
9	FL/FF	5	6	7	8	9	14.5	29	
		3	4	5	6	7	Fixed distance = 11		
		B = boring distance (Tab)							

H	FL/FF	Overlay						P	S
0	FL/FF	15	16	17	18	19	7.5	20	
3	FL/FF	12	13	14	15	16	10.5	23	
6	FF	9	10	11	12	13	13.5	26	
9	FL/FF	6	7	8	9	10	16.5	29	
		3	4	5	6	7	Fixed distance = 12		
		B = boring distance (Tab)							

H	FL/FF	Overlay					P	S	
0	FL/FF	5	6	7	8	9	20.5	30	
		3	4	5	6	7	Fixed distance = 2		
		B = boring distance (Tab)							

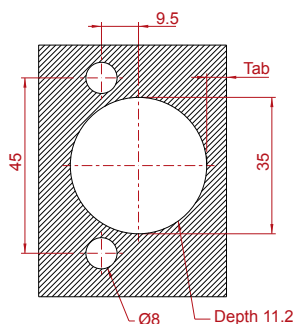
H	FL/FF	Reveal					W	P	S
0	FL/FF	6	4	2	~	~	16	20.5	30
		9	7	5	3	1	19		
		12	10	8	6	4	22		
		3	4	5	6	7	B = boring distance (Tab)		

Hinge Length	67
Mounting Dimension for Frameless Application*	38.5
Cup bore depth	11.2

Hinge Length	67 (66 partial)
Mounting Dimension for Frameless Application*	38.5
Cup bore depth	11.2

* Inset is "T+" (T=door thickness)

Subject to technical modifications without notice.
Dimensions in millimeters (inch equivalents as noted).

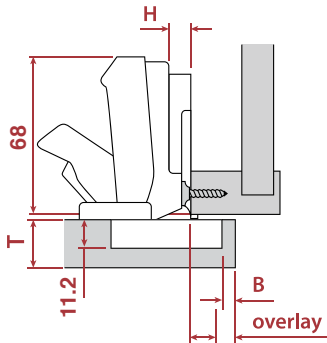


* Inset is "T+" (T=door thickness)

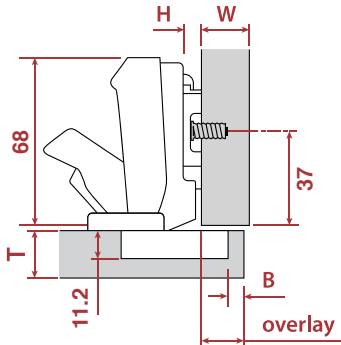
170° Hinges

Full overlay - 0 mm crank

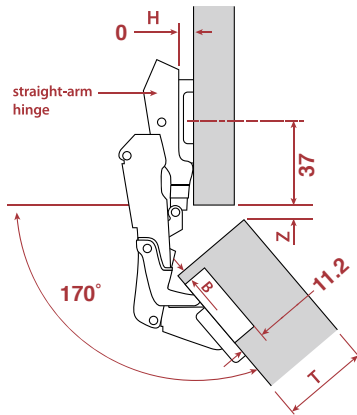
Face Frame (FF)



Frameless (FL)



Thick door application

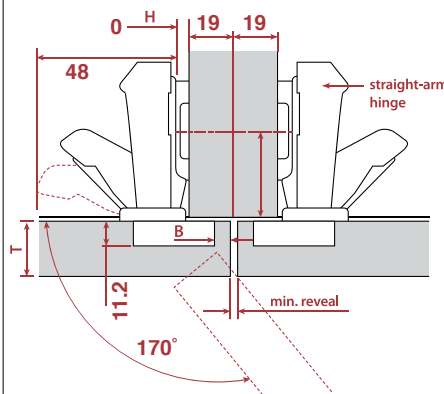


Z=Gap

23	20	17	14	11
25	29	32	35	38

T = door thickness

Twin door application



Minimum reveal table

Minimum reveal table					S
0	0	0	14	17	48
19	22	25	29	32	

T = door thickness

H	FL/FF	Overlay					P	S
0	FL/FF	14	15	16	17	18	-8	53
3	FL/FF	11	12	13	14	15	-5	56
6	FF	8	9	10	11	12	-2	59
9	FL/FF	5	6	7	8	9	1	62
		3	4	5	6	7	Fixed distance = 11	

B = boring distance (Tab)

Abbreviations

H	= Plate height
P	= Door protrusion
S	= Side arm protrusion
T	= Door thickness
W	= Side panel width
FF	= Face frame
FL	= Frameless

Hinge Length	68
Mounting Dimension for Frameless Application*	37
Cup bore depth	11.2

* Inset is "T+" (T=door thickness)

Subject to technical modifications without notice.
Dimensions in millimeters (inch equivalents as noted).

Slide and Hinge Installation Tool

Functional Hardware

HR-TOOL-300



PATENT
D824,741



Each kit includes:

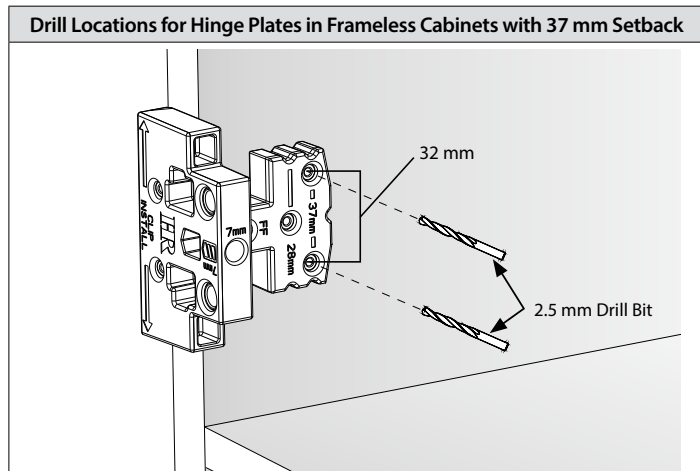
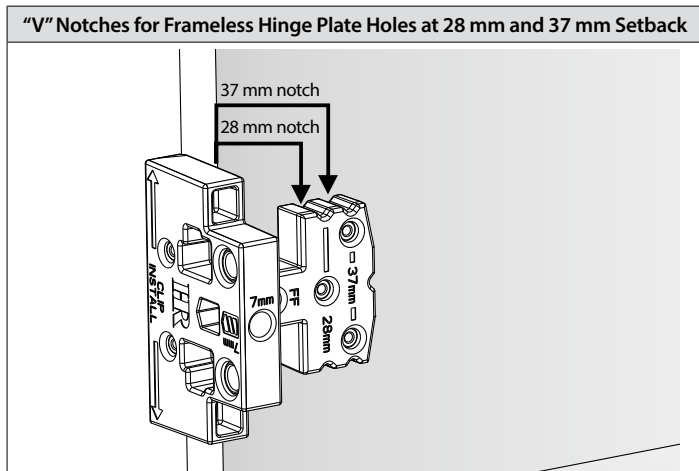
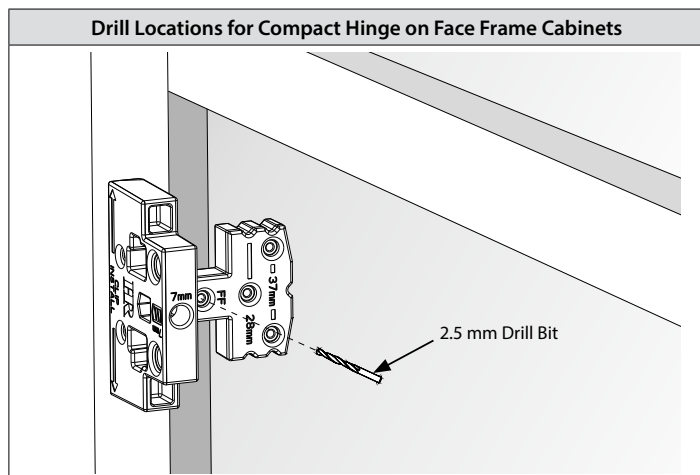
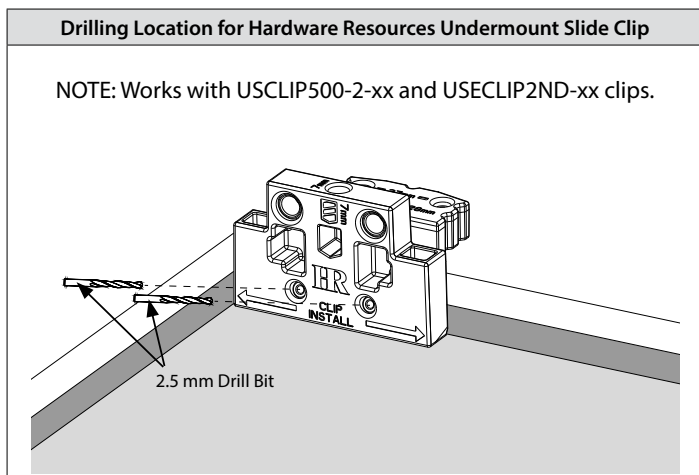
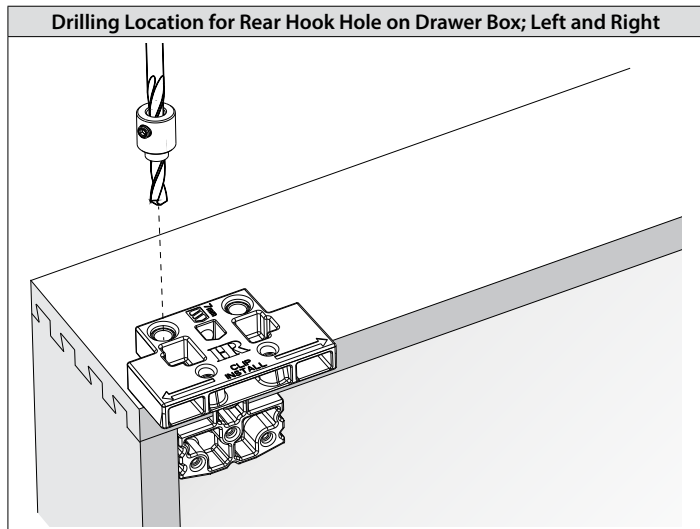
- Mounting Jig
- 7 mm Drill Bit
- Drill Bit Depth Collar
- Allen Wrench
- 2.5 mm Drill Bit

Ordering











Description	Part Number
Slide and Hinge Installation Tool	HR-TOOL-300



Scan for a video about
how to use this tool
delivr.com/2pww8







Mounting Plates For 500 Series Hinges

Frameless Cabinetry		0 mm	3 mm	9 mm	18 mm
Heavy-Duty Zinc Die Cast Cam Adjustable Plates					
	<p>3-hole mounting for added stability and secure attachment Material: Zinc die cast, nickel plated Use #6 x 5/8" flat head wood screws for attachment Height adjustment: +/- 3 mm</p>	400.0R30.75			
		200/ctn			
	<p>Material: Zinc die cast, nickel plated Preassembled with 6.3 mm x 15 mm Euro system screws Cam height adjustment: +/- 2 mm</p>	400.0P72.75	400.0P74.75		
		200/ctn	200/ctn		
	<p>Material: Zinc die cast, nickel plated Sold without screws Use #6 x 5/8" flat head wood screws for attachment Cam height adjustment: +/- 2 mm</p>	400.0R23.75	400.0R25.75		
		200/ctn	200/ctn		
Heavy-Duty Zinc Die Cast Non-Cam Adjustable Plates					
	<p>Material: Zinc die cast, nickel plated Preassembled with 6.3 mm x 15 mm Euro system screws Height adjustment: +/- 3 mm</p>			400.0P29.75	
				200/ctn	
	<p>Material: Zinc die cast, nickel plated Sold without screws Use #6 x 5/8" flat head wood screws for attachment Height adjustment: +/- 3 mm</p>				400.0P18.05
					200/ctn
Standard-Duty Steel Cam Adjustable Plates					
	<p>Material: Cold-rolled steel, nickel plated Preassembled with 6.3 mm x 15 mm Euro system screws Cam height adjustment: +/- 2 mm</p>	400.0P71.75	400.0P73.75		
		200/ctn	200/ctn		
	<p>Material: Cold-rolled steel, nickel plated Sold without screws Use #6 x 5/8" flat head wood screws for attachment Cam height adjustment: +/- 2 mm</p>	400.0R22.75	400.0R24.75		
		200/ctn	200/ctn		
Standard-Duty Steel Non-Cam Adjustable Plates					
	<p>Material: Cold-rolled steel, nickel plated Preassembled with 6.3 mm x 15 mm Euro system screws Height adjustment: +/- 3 mm</p>	400.0118.75	400.0119.75		
		200/ctn	200/ctn		
	<p>Material: Cold-rolled steel, nickel plated Sold without screws Use #6 x 5/8" flat head wood screws for attachment Height adjustment: +/- 3 mm</p>	400.1233.75	400.1234.75		
		200/ctn	200/ctn		
	<p>Dowels provide a stronger holding force for the hinge and plate Material: Cold-rolled steel, nickel plated Preassembled with wood screws and 5 mm expansion dowels Height adjustment: +/- 3 mm</p>	400.2118.05			
		200/ctn			

Mounting Plates For 500 Series Hinges

European
Hinges

Face Frame Cabinetry		0 mm	3 mm	6 mm	9 mm
Heavy-Duty Zinc Die Cast Cam Adjustable Plates					
	Material: Zinc die cast, nickel plated Sold without screws Use #6 x 5/8" flat head wood screws for attachment Cam height adjustment: +/- 3.5 mm	400.3723.75 200/ctn	400.3724.75 200/ctn		
	Material: Zinc die cast, nickel plated Sold without screws Use #8 x 3/4" pan head wood screws for attachment Designed for inset applications using 9 mm crank hinges Cam height adjustment: +/- 3.5 mm				400.3458.75 200/ctn
Heavy-Duty Zinc Die Cast Non-Cam Adjustable Plates					
	Material: Zinc die cast, nickel plated Sold without screws Use #6 x 5/8" flat head wood screws for attachment Height adjustment: +/- 3.5 mm	400.3453.75 200/ctn	400.3454.75 200/ctn	400.3455.75 200/ctn	
	Material: Zinc die cast, nickel plated Sold without screws Use #6 x 5/8" flat head wood screws for attachment Height adjustment: +/- 3.5 mm Recommended for 125° hinges	400.3713.75 200/ctn	400.3714.75 200/ctn	400.3715.75 200/ctn	
	Material: Zinc die cast, nickel plated Sold without screws Use #6 x 5/8" flat head wood screws for attachment Wrap around designed for MDF/plywood face frames where 4 screws are needed to secure the plate and prevent screw pull out Height adjustment: +/- 3.5 mm		400.3456.75 200/ctn		
Heavy-Duty Zinc Die Cast Non-Cam Adjustable Plates for Cabinet Refacing					
	Mounting holes on plate are indexed 1/4" away from face frame. This prevents mounting screws from penetrating the seam between the 1/4" reface material and the face frame. Material: Zinc die cast, nickel plated Sold without screws Use #6 x 5/8" flat head wood screws for attachment Height adjustment: +/- 3.5 mm	400.3553.75 200/ctn	400.3554.75 200/ctn		
Standard-Duty Steel Non-Cam Adjustable Plates					
	Material: Stamped steel, nickel plated Sold without screws Use #6 x 5/8" flat head wood screws for attachment Height adjustment: +/- 3.5 mm		400.3457.75 200/ctn		

Hinge & Plate Selection Guide

For 500 Series Hinges

Frameless Cabinetry										
Full Overlay					Half Overlay					
Hinge /0 Crank	Dowel	Adj	Plate /0 mm	Mat.	Hinge /9 Crank	Dowel	Adj	Plate /0 mm	Mat.	
90° 500.0161.75	Press-in	Cam	400.1233.75	Steel	110° 500.0536.75	None	Cam	400.1233.75	Steel	
110° 500.0534.75	None	Screw	400.0118.75 Euro	Steel	110° 500.0279.05	Press-in	Screw	400.0118.75 Euro	Steel	
110° 500.0535.75	None	Cam	400.0R22.75 Cam	Steel	110° 500.0179.75	Press-in	Cam	400.0R22.75 Cam	Steel	
110° 500.0171.75	Press-in	Screw	400.0R23.75 Cam	Zinc				400.0R23.75 Cam	Zinc	
110° 500.0181.75	Press-in	Cam	400.0P72.75 Cam/Euro	Zinc				400.0P72.75 Cam/Euro	Zinc	
110° 500.0186.75	Easy-Fix	Cam	400.0P71.75 Cam/Euro	Steel				400.0P71.75 Cam/Euro	Steel	
110° 500.0141.75*	Press-in	Cam	400.3118.05 Short Screw	Zinc				400.3118.05 Short Screw	Zinc	
125° 500.0U85.75	None	Cam	400.2118.05 Dowels	Steel				400.2118.05 Dowels	Steel	
125° 500.0U84.75	Press-in	Cam								
125° 500.0U86.75	Easy-Fix	Cam								
170° 500.0M73.75	Press-in	Screw								
<i>*500.0141.75 is free-swinging non-self-closing</i>										
Inset					45 Degree					
Hinge /15 Crank	Dowel	Adj	Plate /3 mm	Mat.	Hinge /18 Crank	Dowel	Adj	Plate/0 mm	Mat.	
110° 500.0537.75	None	Screw	400.1234.75	Steel	105° 500.0N20.75	Press-in	Screw	400.1233.75	Steel	
110° 500.0280.75	Press-in	Screw	400.0119.75 Euro	Steel				400.0118.75 Euro	Steel	
			400.0R24.75 Cam	Steel				400.0R22.75 Cam	Steel	
			400.0R25.75 Cam	Zinc				400.0R23.75 Cam	Zinc	
			400.0P73.75 Cam/Euro	Steel				400.0P72.75 Cam/Euro	Zinc	
			400.0P74.75 Cam/Euro	Zinc				400.0P71.75 Cam/Euro	Steel	
			400.0P32.05 3-Hole	Zinc				400.0R30.05 3-Hole	Zinc	
								400.2118.05 Dowels	Steel	
								400.3118.05 Short Screw	Steel	
90 Degree Blind Corner (Inset application/no overlay)										
Hinge /18 Crank	Dowel	Adj	Plate/0 mm	Mat.						
105° 500.0N24.75	Press-in	Screw	400.1233.75	Steel						
			400.0118.75 Euro	Steel						
			400.0R22.75 Cam	Steel						
			400.0R23.75 Cam	Zinc						
			400.0P72.75 Cam/Euro	Zinc						
			400.0P71.75 Cam/Euro	Steel						
			400.0P30.05 3-Hole	Zinc						
			400.0R30.05 3-Hole	Zinc						

Hinge & Plate Selection Guide

For 500 Series Hinges

European Hinges

Face Frame Cabinetry									
3/4" Overlay					1/2" Overlay				
Hinge /0 Crank	Dowel	Adj	Plate /0 mm	Mat.	Hinge /0 Crank	Dowel	Adj	Plate /3 mm	Mat.
90° 500.0161.75	Press-in	Cam	400.3453.75	Zinc	90° 500.0161.75	Press-in	Cam	400.3454.75	Zinc
110° 500.0534.75	None	Screw	400.3713.75	Zinc	110° 500.0534.75	None	Screw	400.3717.75	Steel
110° 500.0535.75	None	Cam	400.3723.75 Cam	Zinc	110° 500.0535.75	None	Cam	400.3457.75	Steel
110° 500.0171.75	Press-in	Screw			110° 500.0171.75	Press-in	Screw	400.3456.75 Wrap Around	Zinc
110° 500.0181.75	Press-in	Cam			110° 500.0181.75	Press-in	Cam	400.3714.75	Zinc
110° 500.0186.75	Easy-Fix	Cam			110° 500.0186.75	Easy-Fix	Cam	400.3724.75 Cam	Zinc
110° 500.0141.75*	Press-in	Cam			110° 500.0141.75*	Press-in	Cam		
125° 500.0U85.75	None	Cam			125° 500.0U85.75	None	Cam		
125° 500.0U84.75	Press-in	Cam			125° 500.0U84.75	Press-in	Cam		
125° 500.0U86.75	Easy-Fix	Cam			125° 500.0U86.75	Easy-Fix	Cam		
170° 500.0M73.75	Press-in	Screw			170° 500.0M73.05	Press-in	Screw		
*500.0141.75 is free-swinging non-self-closing					*500.0141.75 is free-swinging non-self-closing				
3/8" Overlay					Inset				
Hinge /9 Crank	Dowel	Adj	Plate /0 mm	Mat.	Hinge /9 Crank	Dowel	Adj	Plate /9 mm Inset	Mat.
110° 500.0536.75	None	Cam	400.3453.75	Zinc	110° 500.0536.75	None	Cam	400.3458.65 Cam	Zinc
110° 500.0179.75	Press-in	Cam	400.3723.75 Cam	Zinc	110° 500.0279.75	Press-in	Screw		
					110° 500.0179.75	Press-in	Cam		
1/4" Overlay					Pie Corner				
Hinge /9 Crank	Dowel	Adj	Plate/3 mm	Mat.	Hinge /18 Crank	Dowel	Adj	Plate /0 mm	Mat.
110° 500.0536.75	None	Cam	400.3454.75	Zinc	105° 500.0U22.75	Press-in	Screw	400.1233.75	Steel
110° 500.0279.75	Press-in	Screw	400.3717.65	Steel				400.0R22.75 Cam	Steel
110° 500.0179.75	Press-in	Cam	400.3456.75 Wrap Around	Zinc				400.0R23.75 Cam	Zinc
			400.3714.75	Zinc					
			400.3724.75 Cam	Zinc					
			400.3457.65	Steel					

45° Corner Overlay 700 Series Soft-Close Hinge

Soft-close heavy-duty hinge designed for 45° inside corner and overlay applications.



APPLICATION

*Inside Corner
18 mm Crank*



*Press-in
8 mm Dowels*

*Soft-Close
700.0N20.05
100/ctn*

Specs

105° opening angle

1-stop action

Hinge and plate provide 6-way adjustability

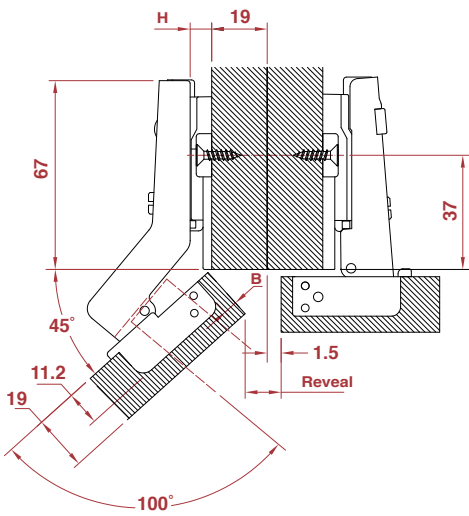
Cold-rolled steel with nickel plating

45 mm boring pattern

Recommended for use with 600 Series
0 mm plates

Inside corner - 18 mm crank

Frameless (FL)



H	Overlay					P	S
0	3	4	5	6	7	10.5	30
	3	4	5	6	7	Fixed distance = 0	
	B = boring distance (Tab)						

H	Inside Corner				P	S
0	4	3	2	1	10.5	30
	3	4	5	6		
	B = boring distance (Tab)					

NOTE: Reveal based on 19(3/4") side panel

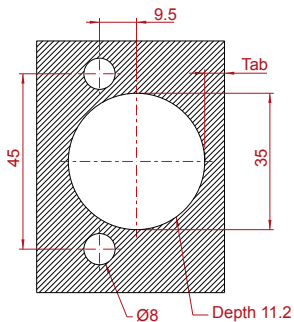
H	Y = Gap			
0	3.5	2.5	1.5	0.5
	3	4	5	6
	B = boring distance (Tab)			

NOTE: Reveal based on 19(3/4") side panel

Hinge Length	67
Mounting Dimension for Frameless Application*	37
Cup bore depth	11.2

Abbreviations	
H	= Plate height
P	= Door protrusion
S	= Side arm protrusion

Subject to technical modifications without notice.
Dimensions in millimeters (inch equivalents as noted).



Application

Face frame
Frameless

Opening Angle

105°

Finish

Nickel
Plating

Adjustment

6 way

Overlay

Corner
Overlay

Boring Hole Pattern

45 mm

Material

Steel

Packaging

100/
carton

45° Corner Overlay 500 Series Hinge

Specialty
Hinges

Self-close standard-duty hinge designed for 45° inside corner and overlay applications.



Inside Corner
18 mm Crank

APPLICATION



Press-in
8 mm Dowels

500.0N20.75
100/ctn



Open Position



Closed Position

Specs

105° opening angle

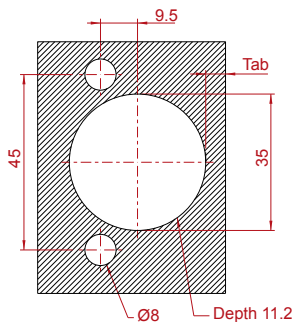
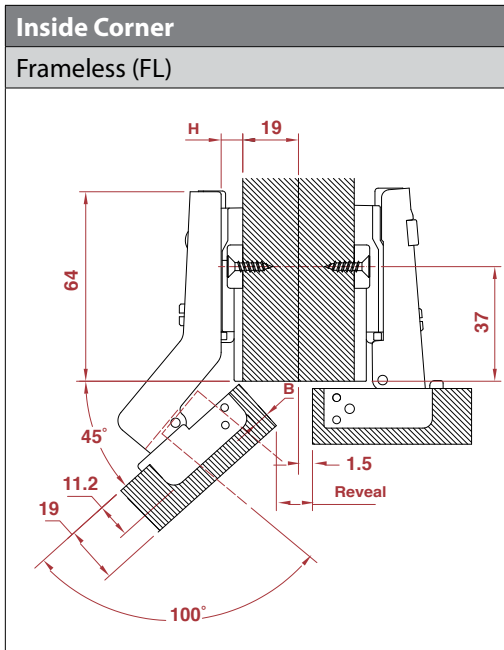
1-stop action

Hinge and plate
provide 6-way
adjustability

Cold-rolled steel with
nickel plating

45 mm boring pattern

Recommended for
use with 400 Series
0 mm plates



H	Overlay					P	S
0	-2	-1	0	1	2	14	38
	3	4	5	6	7	Fixed distance = -5	
	B = boring distance (Tab)						

H	Inside Corner				P	S
0	8.5	7.5	6.5	5.5	14	38
	3	4	5	6		
	B = boring distance (Tab)					
NOTE: Reveal based on 19(3/4") side panel						

H	Y = Gap			
0	8	7	6	5
	3	4	5	6
	B = boring distance (Tab)			
NOTE: Reveal based on 19(3/4") side panel				

Hinge Length	64
Mounting Dimension for Frameless Application*	37
Cup bore depth	11.2

Abbreviations	
H	= Plate height
P	= Door protrusion
S	= Side arm protrusion

Subject to technical modifications without notice.
Dimensions in millimeters (inch equivalents as noted).

Application

Face frame
Frameless

Opening Angle

105°

Finish

Nickel
Plating

Adjustment

6 way

Overlay

Corner
Overlay

Boring Hole Pattern

45 mm

Material

Steel

Packaging

100/
carton

90° Blind Corner Inset 700 Series Soft-Close Hinge

Soft-close heavy-duty hinge designed for 90° blind corner inset applications.



**Blind Corner
0 mm Crank**

APPLICATION

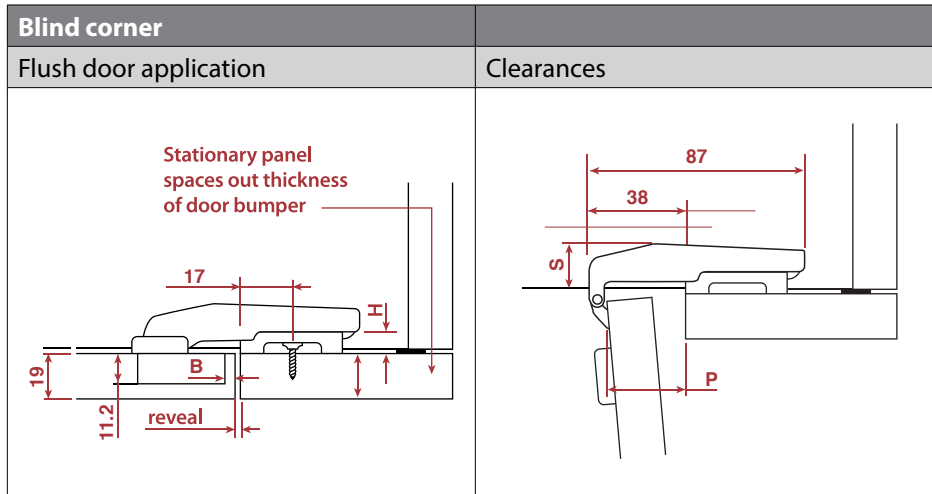


**Press-in
8 mm Dowels**

**Soft-Close
700.0N24.05
200/ctn**

Specs

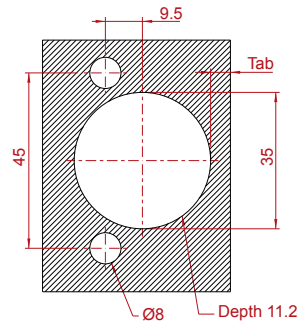
- 105° opening angle
- 1-stop action
- Hinge and plate provide 6-way adjustability
- Cold-rolled steel with nickel plating
- 45 mm boring pattern
- Recommended for use with 600 Series 0 mm plates



H	Reveal					P	S
0	4	3	2	1	0	24.5	22.0
	3	4	5	6	7		FD
	B = boring distance (Tab)						-7

Hinge Length	88.0
Cup bore depth	11.2

Abbreviations	
H	= Plate height
P	= Door protrusion
S	= Side arm protrusion
T	= Door thickness
W	= Side panel width



Application	Opening Angle
Face frame Frameless	105°
Finish	Adjustment
Nickel Plating	6 way
Inset	Boring Hole Pattern
Blind Corner	45 mm
Material	Packaging
Steel	200/ carton

90° Blind Corner Inset 500 Series Hinge

Specialty
Hinges

Self-close standard-duty hinge designed for 90° blind corner inset applications.



Blind Corner
0 mm Crank

APPLICATION



Press-in
8 mm Dowels

500.0N24.75
200/ctn



Open Position

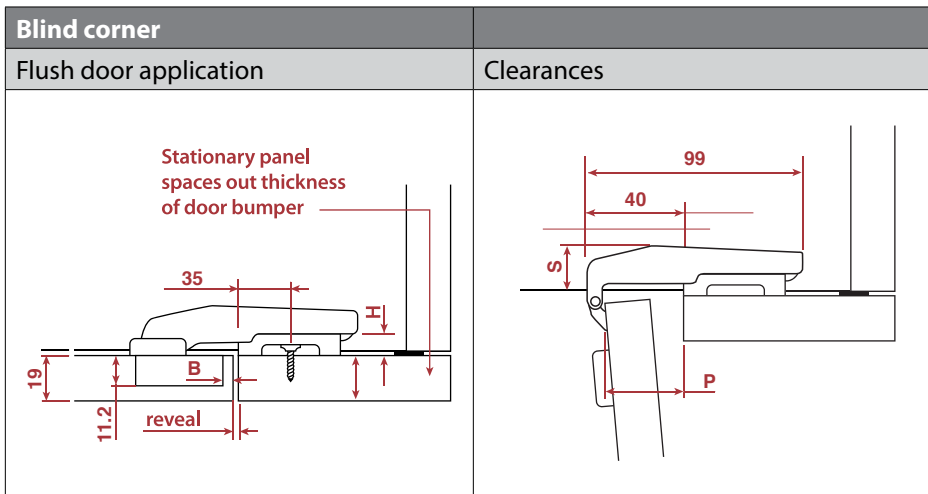


Closed Position

Specs

105° opening angle
1-stop action
Hinge and plate provide 6-way adjustability

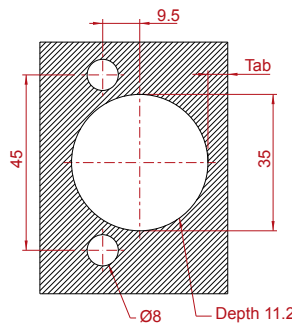
Cold-rolled steel with nickel plating
45 mm boring pattern
Recommended for use with 400 Series 0 mm plates



H	Reveal					P	S
0	6	5	4	3	2	28.0	21.0
	3	4	5	6	7	FD	
	B = boring distance (Tab)						-9

Hinge Length	102.0
Cup bore depth	11.2

Abbreviations	
H	= Plate height
P	= Door protrusion
S	= Side arm protrusion
T	= Door thickness
W	= Side panel width



Application Face frame Frameless	Opening Angle 105°
Finish Nickel Plating	Adjustment 6 way
Inset Blind Corner	Boring Hole Pattern 45 mm
Material Steel	Packaging 200/ carton

105° Pie Corner Hinge

500 Series Hinge

Self-close standard-duty hinge designed for connecting two doors in a corner cabinet with no need for a magnetic catch.



APPLICATION

Pie Corner
18 mm Crank



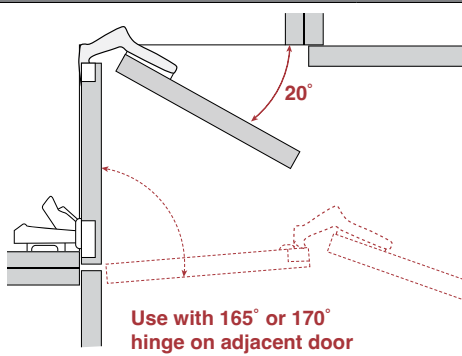
Press-in
8 mm Dowels

500.0U22.75
100/ctn

Specs

- 105° opening angle
- 1-stop action
- Use with 165° or 170° hinge on adjacent door
- Cold-rolled steel with nickel plating
- 45 mm boring pattern
- Hinge and plate provide 6-way adjustability
- Recommended for use with 400 Series 0 mm plates

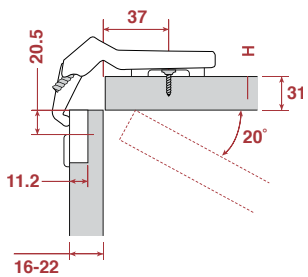
Inside corner application



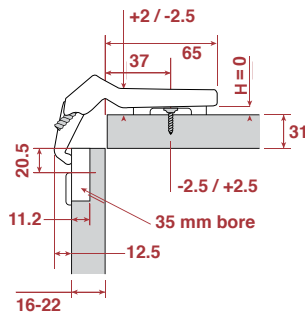
Abbreviations	
DW	= Door width
G	= Gap
H	= Plate height
IW	= Interior width
R	= Reveal
T	= Door thickness
W	= Side panel width



With flat panel doors

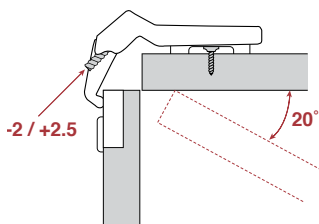


General specifications

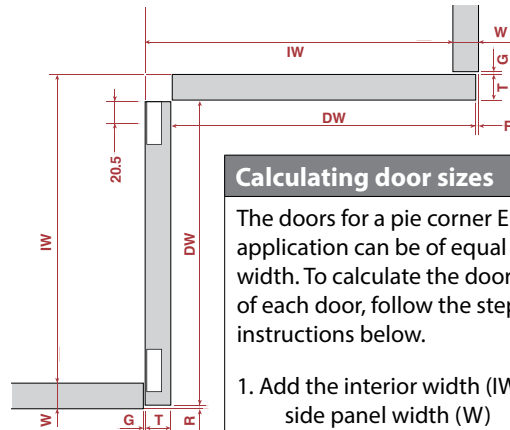
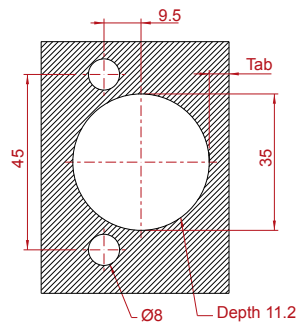


Adjustment

The cam adjustment of the pie corner European hinge allows for -2 / +2.5 mm adjustment



Boring Pattern



Calculating door sizes

The doors for a pie corner European hinge application can be of equal or unequal width. To calculate the door width (DW) of each door, follow the step-by-step instructions below.

1. Add the interior width (IW) to the side panel width (W)
2. Subtract door thickness (T) and reveal (R)
3. Subtract gap (G) behind adjacent door

Formula: $DW = (IW + W) - T - R - G$

Example: $DW = (500 + 19) - 19 - 3 - 1$
 $DW = 496 \text{ mm}$

130° Pie-Cut Corner Hinge 22877 Series Hinge

Specialty
Hinges

Specialty hinge designed for a pie-cut corner application; shallow profile does not interfere with lazy susans.

Specs

130° opening angle
Height adjustment
Zinc die cast construction with nickel plating



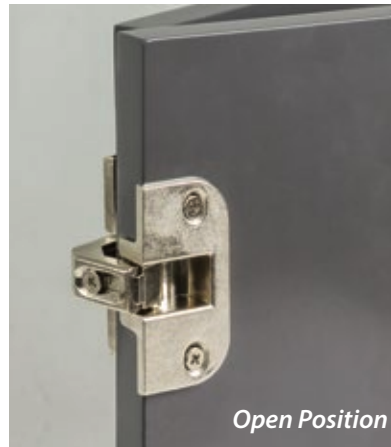
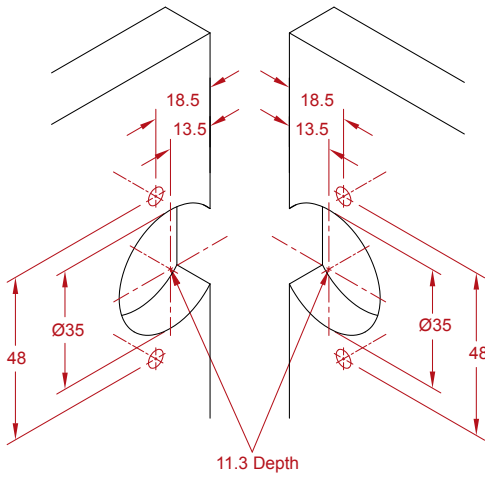
APPLICATION

Pie Corner



No Dowels

22877-000
200/ctn



Compact Hinges

Our complete family of compact hinges offers multiple options when it comes to face frame applications: 4-way and 6-way adjustability, soft-close and self-close, and a refacing option.

- **9390ADJ Series:** 105° Dura-Close® Compact Hinges with Adjustable Closing Speed
- **9390 Series:** 105° Dura-Close® Compact Soft-Close Hinges
- **8390 Series:** 105° Dura-Close® Compact Hinges
- **22855.SFT Series:** 105° Dual Pivot Compact Soft-Close Hinges
- **22855 Series:** 125° Dual Pivot Compact Hinges
- **3390 Series:** 105° Economical Compact Hinges



**Dura-Close® Compact Hinges with
Adjustable Closing Speed
9390ADJ Series**

[108]



**Dura-Close® Compact Soft-Close Hinges:
9390 Series**

[110]



**Dura-Close® Compact Hinges:
8390 Series**

[112]



**Dual Pivot Compact Soft-Close Hinges:
22855.SFT Series**

[114]



**Dual Pivot Compact Hinges:
22855 Series**

[115]



**Economical Compact Hinges:
3390 Series**

[116]



HR Series Comparison

Compact Hinges



Series	NEW 9390ADJ	9390
Category	Dura-Close® Adjustable Closing Speed	Dura-Close® Soft-Close
Grade 1 ANSI/BHMA Certified	50,000+ Cycles	50,000+ Cycles
Soft-Close	✓ Adjustable Closing Speed	✓
Glide Channel: Reduces friction and noise	✓	✓
Pivot Point: Dual pivot point brings door closer to the cabinet, reducing door crack	Single	Single
Opening Angle	105°	105°
Overlays Available	1/2" & 1-1/4"	3/8"–1-1/2"



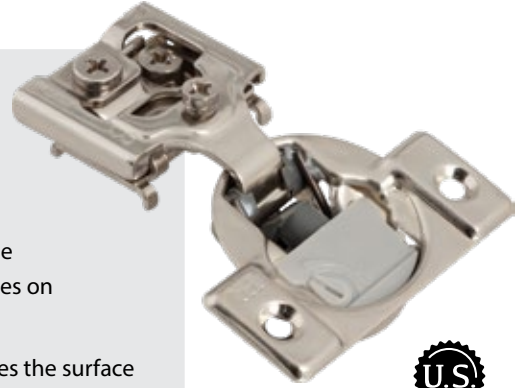
22855.SFT	8390	22855	3390
Dual Pivot Point Soft-Close	Dura-Close® Self-Close	Dual Pivot Point Self-Close	Standard-Duty Self-Close
50,000+ Cycles	50,000+ Cycles	50,000+ Cycles	50,000+ Cycles
✓			
	✓		
Dual	Single	Dual	Single
125°	105°	125°	105°
1/2"	3/8"-1-1/2"	1/2"	1/2"-1-1/2"

Dura-Close® Compact Hinges with Adjustable Closing Speed 9390ADJ Series

Match the closing speed of all doors regardless of size with the 9390ADJ hinges. Now large doors and small doors can close at the same speed.

Features

- 10 levels of soft-close speed adjustment ensure all door sizes will close at the same speed
- 100% steel constructed soft-close piston is stronger and more durable than competitors' plastic soft-close pistons
- Durable, yet quiet glide channels allow the hinge to operate with less friction and noise when compared to spring sleeves on previous models (Less friction = extended hinge life)
- Re-engineered hinge-to-cabinet mounting surface increases the surface area where the hinge contacts the cabinet; this keeps the hinge in place without damaging the face frame
- Grade 2 ANSI/BHMA certified to 50,000 cycles
- 2-cleat options available for face frame material over 3/4"
- One-piece compact assembly with vertical, horizontal, and depth cam adjustments



U.S.
PATENT
10,030,427





Specs

- 6-way cam adjustment
- 105° opening angle (with 85° restrictor clip available)
- Cold-rolled steel with nickel plating
- Single pivot point
- 45 mm boring pattern
- Compatible with 9390 Series and 8390 Series hinges
- #7 x 5/8" pan washer head screw (7X0580WCQ) recommended

Stronger 100% steel soft-close piston

Our new steel soft-close piston is manufactured to outlast competitors' plastic pistons

9390ADJ SERIES APPLICATION

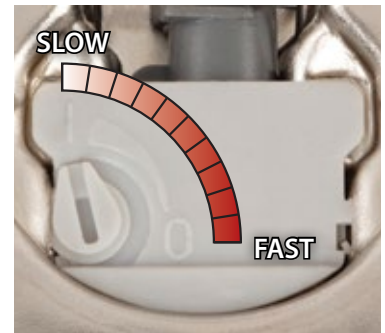
	1/2" Overlay	1-1/4" Overlay
 No Dowels	9390ADJ 200/ctn	—
 Press-in 8 mm Dowels	9390-2-000ADJ 200/ctn	9394-000ADJ 200/ctn

Soft-close adjustment mechanism

Turn the dial to any of the 10 positions to adjust the closing speed of the door. We recommend using a 3/16" slotted screwdriver to adjust the soft-close.

Use this feature to easily match closing speeds across different door sizes.

- | = Strongest soft-close; slowest closing
- 0 = Soft-close off; fastest closing



Application	Opening Angle	Finish	Adjustment	Overlay	Boring Hole Pattern	Material	Packaging	Certification
Face frame	105°	Nickel Plating	6 way	1/2" & 1 1/4"	45 mm	Steel	200/carton	ANSI 50,000+

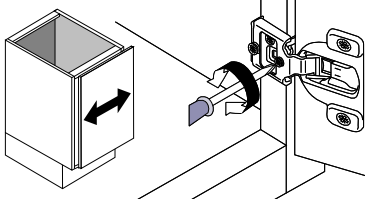
Dura-Close® Compact Hinges with Adjustable Closing Speed 9390ADJ Series

Compact Hinges

Three-dimensional door adjustment

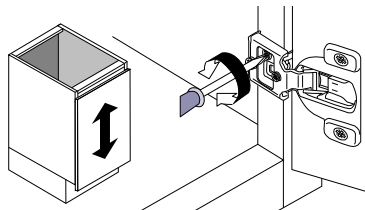
Horizontal adjustment

Rotate front screw to increase or decrease door overlay.



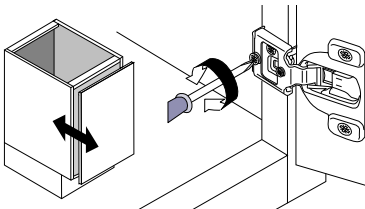
Vertical adjustment

Rotate center cam screw to adjust door position.

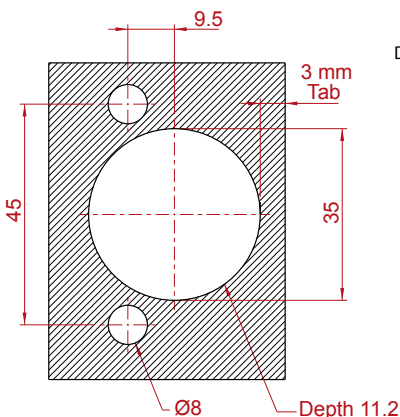


Depth adjustment

Rotate rear cam screw to adjust door position.



	85° Restrictor Clip		Insertion Ram
	9390.RC		LARM7390



Subject to technical modifications without notice.
Dimensions in millimeters (inch equivalents as noted).

	Boring Depth	Tab
9390ADJ Series	11.2 mm	3 mm

Abbreviations

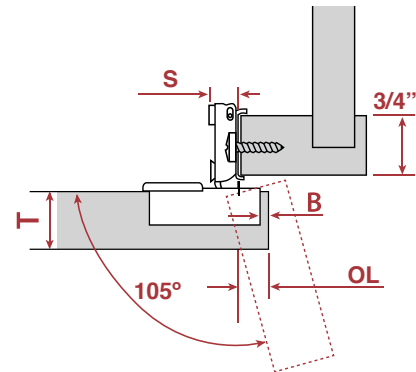
P	= Door protrusion
S	= Hinge arm protrusion
T	= Door thickness

To see the benefits of soft-close speed adjustment, scan the QR or visit delivr.com/2q9hv



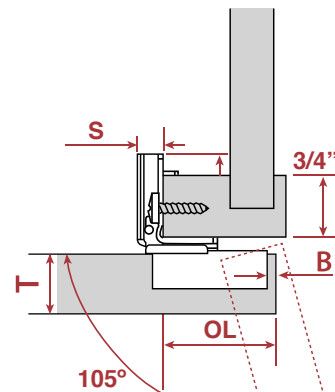
105° Hinges

1/2" Overlay



Part Number	Overlay	P	S
9390ADJ	13 mm (1/2")	6 mm (1/4")	13 mm (1/2")
9390-2-000ADJ	13 mm (1/2")	6 mm (1/4")	13 mm (1/2")
Boring distance = 3 mm		Minimum Reveal = 7 mm (9/32")	

1-1/4" Overlay



Part Number	Overlay	P	S
9394-000ADJ	32 mm (1-1/4")	0	9.5 mm (3/8")
Boring distance = 3 mm		Minimum Reveal = 7 mm (9/32")	



Hardware Resources' smoothest and longest-lasting soft-close hinge is perfect when quality and performance are a must.

Features

- 100% steel constructed soft-close piston is stronger and more durable than competitors' plastic soft-close pistons
- Durable, yet quiet glide channels allow the hinge to operate with less friction and noise when compared to spring sleeves on previous models (Less friction = extended hinge life)
- Re-engineered hinge-to-cabinet mounting surface increases the surface area where the hinge contacts the cabinet; this keeps the hinge in place without damaging the face frame
- Grade 2 ANSI/BHMA certified to 50,000 cycles
- 2-cleat options available for face frame material over 3/4"
- One-piece compact assembly with vertical, horizontal, and depth cam adjustments



Specs

- 105° opening angle (with 85° restrictor clip available)
- Single pivot point
- 6-way cam adjustment
- Cold-rolled steel with nickel plating
- 45 mm boring pattern
- Use with 8390 Series self-close hinges on lighter doors
- #7 x 5/8" pan washer head screw (7X0580WCQ) recommended



Stronger 100% steel soft-close piston



Our new steel soft-close piston is manufactured to outlast competitors' plastic pistons



Reduced friction and noise

New glide channels improves hinge durability and functionality



Application	Opening Angle	Finish	Adjustment	Overlay	Boring Hole Pattern	Material	Packaging	Certification	
Face frame	105°	Nickel Plating	6 way	3/8" - 1 1/2"	45 mm	Steel	200/carton	ANSI 50,000+	
9390 SERIES APPLICATION	3/8" Overlay	7/16" Overlay	1/2" Overlay	5/8" Overlay	3/4" Overlay	1" Overlay	1-1/4" Overlay	1-3/8" Overlay	1-1/2" Overlay
	—	—	9390 200/ctn	—	—	—	—	—	
	9390-038 200/ctn	9390-716 200/ctn	9390-2-000 200/ctn	9390-058 200/ctn	9390-6-000 200/ctn	9391-000 200/ctn	9394-000 200/ctn	9393-000 200/ctn	9392-000 200/ctn
			9390-2-2C* 200/ctn				9394-2C* 200/ctn		

*2C = 2-Cleat Hinge

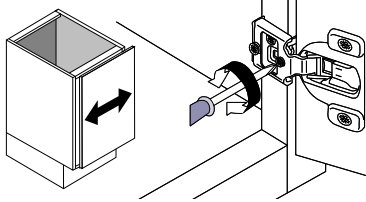
Dura-Close® Compact Soft-Close Hinges 9390 Series

Compact
Hinges

Three-dimensional door adjustment

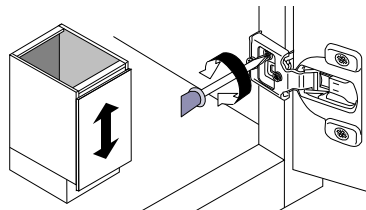
Horizontal adjustment

Rotate front screw to increase or decrease door overlay.



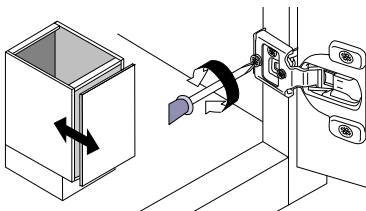
Vertical adjustment

Rotate center cam screw to adjust door position.



Depth adjustment

Rotate rear cam screw to adjust door position.



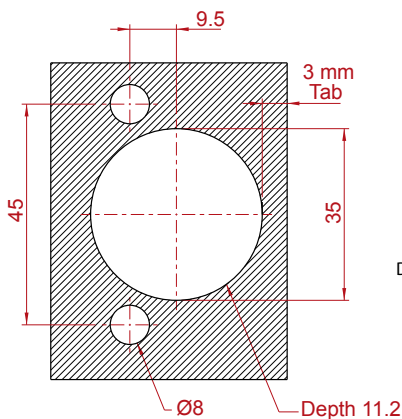
**85° Restrictor
Clip**

9390.RC



**Insertion
Ram**

LARM7390

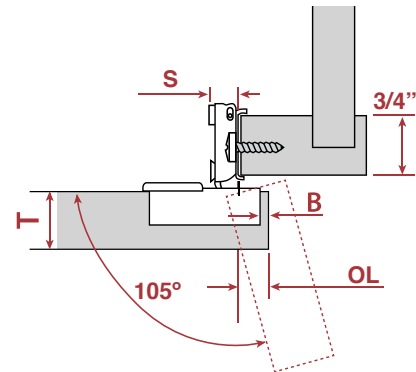


Subject to technical modifications without notice.
Dimensions in millimeters (inch equivalents as noted).

	Boring Depth	Tab
9390 Series	11.2 mm	3 mm

105° Hinges

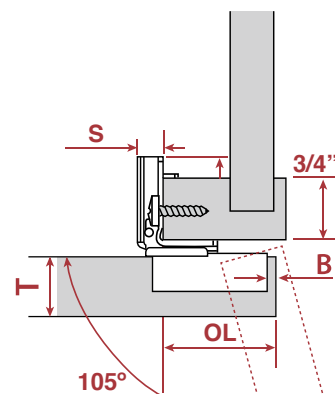
3/8" to 1" Overlay



Part Number	Overlay	P	S
9390-038	9.5 mm (3/8")	8 mm (5/16")	13 mm (1/2")
9390-716	11 mm (7/16")	8 mm (5/16")	13 mm (1/2")
9390	13 mm (1/2")	6 mm (1/4")	13 mm (1/2")
9390-2-000	13 mm (1/2")	6 mm (1/4")	13 mm (1/2")
9390-058	16 mm (5/8")	0	13 mm (1/2")
9390-6-000	19 mm (3/4")	0	13 mm (1/2")
9391-000	25.4 mm (1")	0	9.5 mm (3/8")

Boring distance = 3 mm Minimum Reveal = 7 mm (9/32")

1-1/4" to 1-1/2" Overlay



Part Number	Overlay	P	S
9394-000	32 mm (1-1/4")	0	9.5 mm (3/8")
9393-000	35 mm (1-3/8")	0	9.5 mm (3/8")
9392-000	38 mm (1-1/2")	0	9.5 mm (3/8")

Boring distance = 3 mm Minimum Reveal = 7 mm (9/32")

Abbreviations

P	= Door protrusion
S	= Hinge arm protrusion
T	= Door thickness

Dura-Close® Compact Hinges

8390 Series

When performance and customer satisfaction are a must, choose the quality of our 8390 Series self-close hinges.

Features

Durable, yet quiet glide channels allow the hinge to operate with less friction and noise when compared to spring sleeves on previous models (Less friction = extended hinge life)

Re-engineered hinge-to-cabinet mounting surface increases the surface area where the hinge contacts the cabinet; this keeps the hinge in place without damaging the face frame

Grade 2 ANSI/BHMA certified to 50,000 cycles

2-cleat options available for face frame material over 3/4"

One-piece compact assembly with vertical screw adjustment and horizontal and depth cam adjustment



Specs

105° opening angle (with 85° restrictor clip available)

Single pivot point

6-way cam adjustment

Cold-rolled steel with nickel plating

45 mm boring pattern

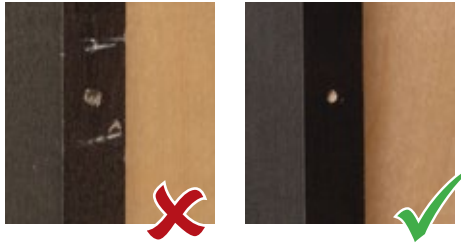
Use with 9390 Series self-close hinges on lighter doors

#7 x 5/8" pan washer head screw (7X0580WCQ) recommended



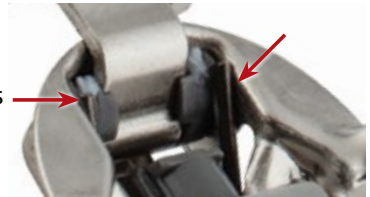
Mark-free removal

Better contact surface allows for repeated removal without damage to the cabinet surface





Reduced friction and noise

New glide channels improves hinge durability and functionality



Application	Opening Angle	Finish	Adjustment	Overlay	Boring Hole Pattern	Material	Packaging	Certification
Face frame	105°	Nickel Plating	6 way	3/8" - 1 1/2"	45 mm	Steel	200/ carton	ANSI 50,000+

8390 SERIES APPLICATION	3/8" Overlay	7/16" Overlay	1/2" Overlay	5/8" Overlay	3/4" Overlay	1-1/4" Overlay	1-3/8" Overlay	1-1/2" Overlay
 No Dowels	—	—	8390 200/ctn	—	—	—	—	—
 Press-in 8 mm Dowels	8390-038 200/ctn	8390-716 200/ctn	8390-2-000 200/ctn	8390-058 200/ctn	8390-6-000 200/ctn	8394-000 200/ctn	8393-000 200/ctn	8392-000 200/ctn
			8390-2-2C* 200/ctn			8394-2C* 200/ctn		

*2C = 2-Cleat Hinge

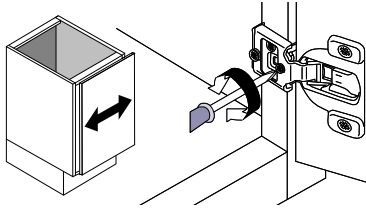
Dura-Close® Compact Hinges 8390 Series

Compact Hinges

Three-dimensional door adjustment

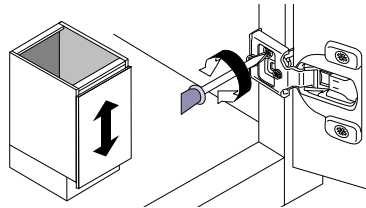
Horizontal adjustment

Rotate front screw to increase or decrease door overlay.



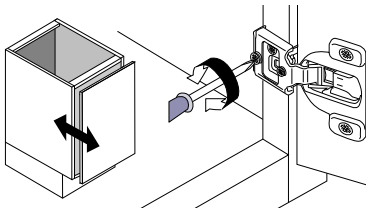
Vertical adjustment

Rotate center cam screw to adjust door position.



Depth adjustment

Rotate rear cam screw to adjust door position.



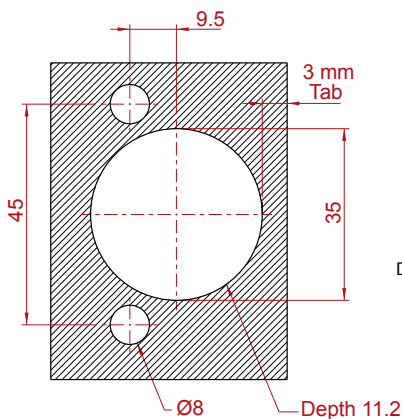
**85° Restrictor
Clip**

9390.RC



**Insertion
Ram**

LARM7390

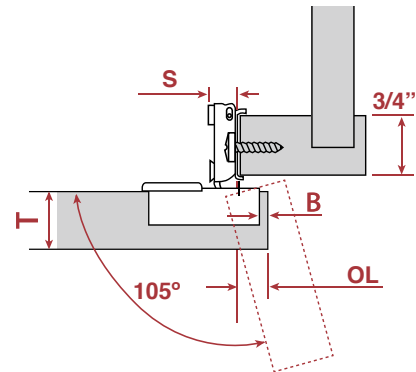


Subject to technical modifications without notice.
Dimensions in millimeters (inch equivalents as noted).

	Boring Depth	Tab
8390 Series	11.2 mm	3 mm

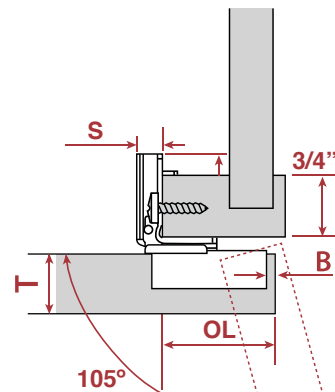
105° Hinges

3/8" to 1" Overlay



Part Number	Overlay	P	S
8390-038	9.5 mm (3/8")	8 mm (5/16")	13 mm (1/2")
8390-716	11 mm (7/16")	8 mm (5/16")	13 mm (1/2")
8390	13 mm (1/2")	6 mm (1/4")	13 mm (1/2")
8390-2-000	13 mm (1/2")	6 mm (1/4")	13 mm (1/2")
8390-058	16 mm (5/8")	0	13 mm (1/2")
8390-6-000	19 mm (3/4")	0	13 mm (1/2")
Boring distance = 3 mm		Minimum Reveal = 7 mm (9/32")	

1-1/4" to 1-1/2" Overlay



Part Number	Overlay	P	S
8394-000	32 mm (1-1/4")	0	9.5 mm (3/8")
8393-000	35 mm (1-3/8")	0	9.5 mm (3/8")
8392-000	38 mm (1-1/2")	0	9.5 mm (3/8")
Boring distance = 3 mm		Minimum Reveal = 7 mm (9/32")	

Abbreviations

P	= Door protrusion
S	= Hinge arm protrusion
T	= Door thickness

Compact Soft-Close Hinges

22855.SFT Series

This hybrid compact soft-close hinge combines a hidden steel damper and the dual pivot point of a European hinge. This design creates a tighter gap between the door and cabinet while retaining the compact size and convenience of a compact hinge.

Features

- Die cast face frame plate securely grasps the frame and provides two attachment points
- Grade 2 ANSI/BHMA certified to ANSI 50,000 cycles
- Built-in soft-close damper is concealed
- One-piece compact assembly with vertical screw adjustment and horizontal and depth cam adjustment

Specs

- 105° opening angle
- Dual pivot point
- 6-way adjustability
- Cold-rolled steel with nickel plating
- 45 mm boring pattern
- #7 x 5/8" pan head washer screw (7X0580WCQ) recommended



APPLICATION



No Dowels

1/2" Overlay with Cam Adj Plate

22855-10SFT
(cam adjust)
200/ctn



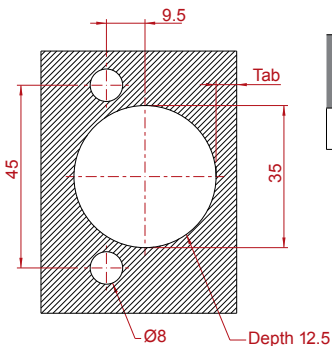
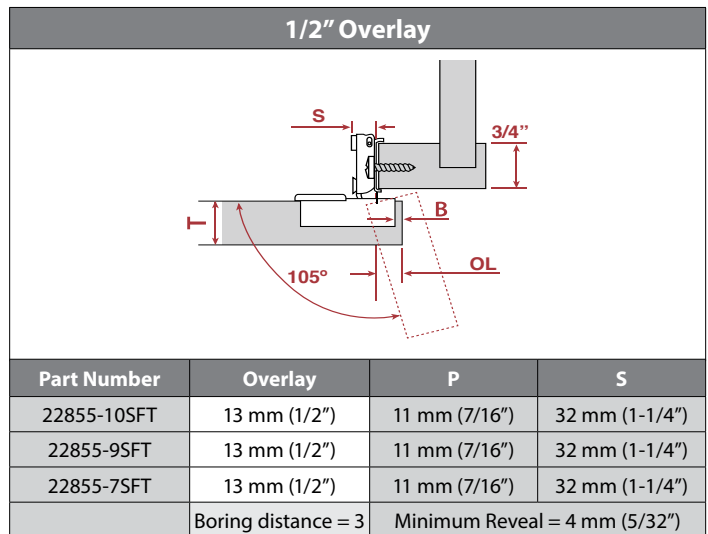
Press-in 8 mm Dowels

22855-9SFT
(cam adjust)
200/ctn



Press-in 8 mm Dowels

22855-7SFT
(non-cam adjust)
200/ctn



Application	Opening Angle	Finish	Adjustment
Face frame	105°	Nickel Plating	6 way
Overlay	Boring Hole Pattern	Material	Packaging
1/2"	45 mm	Steel	200/ carton
Certification	ANSI BHMA		

Compact Hinges 22855 Series

Compact
Hinges

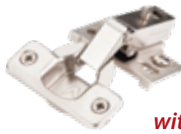
This self-close hinge combines the strength and tighter door-cabinet gap of a European hinge with the simplicity of a compact hinge. A 125° opening angle and a dual pivot point make this hinge a good choice in any face frame cabinet.

Features

- Die cast face frame plate securely grasps the frame and provides two attachment points
- Grade 2 ANSI/BHMA certified to ANSI 50,000 cycles
- Available with or without cam adjustable plate
- One-piece compact assembly with vertical screw adjustment and horizontal and depth cam adjustment

Specs

- 125° opening angle
- Dual pivot point
- 6-way adjustability
- Cold-rolled steel with nickel plating
- 45 mm boring pattern
- #7 x 5/8" pan head washer screw (7X0580WCQ) recommended



1/2" Overlay
with Cam Adj Plate



1/2" Overlay



APPLICATION



No Dowels

22855-10
200/ctn

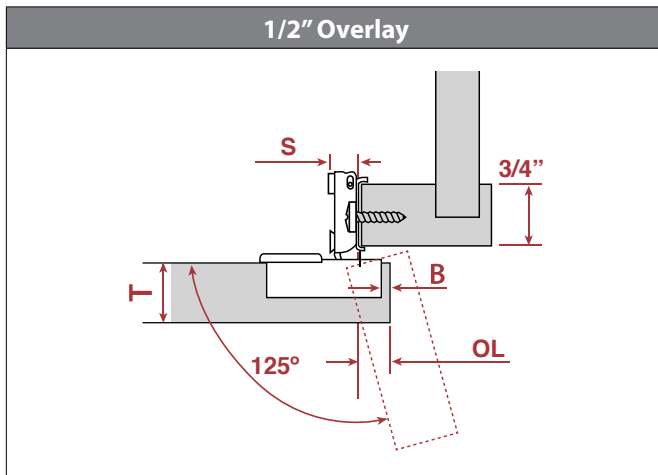
22855-8-000N-2
200/ctn



Press-in
8 mm Dowels

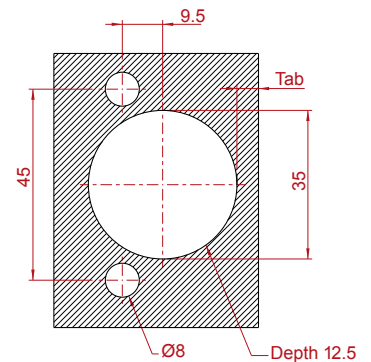
22855-9
200/ctn

22855-7-000N-2
200/ctn



Subject to technical modifications without notice. Dimensions in millimeters (inch equivalents as noted).

Boring Depth	Tab
12.5 mm	3 mm



Part Number	Overlay	P	S
22855-10	13 mm (1/2")	11 mm (7/16")	32 mm (1-1/4")
22855-8-000N-2	13 mm (1/2")	11 mm (7/16")	32 mm (1-1/4")
22855-9	13 mm (1/2")	11 mm (7/16")	32 mm (1-1/4")
22855-7-000N-2	13 mm (1/2")	11 mm (7/16")	32 mm (1-1/4")
	Boring distance = 3	Minimum Reveal = 4 mm (5/32")	

Compact Hinges

3390 Series

Hardware Resources's most economical hinge, the 3390 Series, has proven reliability with over two decades of field-tested performance.






Features

- Grade 2 ANSI/BHMA certified to ANSI 50,000 cycles
- One-piece compact assembly with vertical screw adjustment and horizontal and depth cam adjustment
- 2-cleat options available for face frame material over 3/4"

Specs

- 105° opening angle
- Single pivot point
- 6-way adjustability
- Cold-rolled steel with nickel plating
- 45 mm boring pattern
- #7 x 5/8" pan washer head screw (7X0580WCQ) recommended



APPLICATION	1/2" Overlay	3/4" Overlay	1" Overlay	1-1/4" Overlay	1-1/2" Overlay
 No Dowels	3390 200/ctn	—	—	—	—
 Press-in 8 mm Dowels	3390-2-000 200/ctn	3390-6-000 200/ctn	3391-000 200/ctn	3394-000 200/ctn	3392-000 200/ctn
	3390-2-2C* 200/ctn			3394-2C* 200/ctn	
 Easy-Fix Dowels	3390-3-000 200/ctn				

Adjustment  6 way	Overlay  1/2"– 1 1/2"
Application  Face frame	Opening Angle  105°
Finish  Nickel Plating	Material  Steel
Certification  ANSI BHMA	Packaging  200/carton
	Boring Hole Pattern  45 mm


U.S. PATENT
7,653,967; 8,839,488;
10,415,283

*2C = 2-Cleat Hinge

105° Compact Hinge with 4-Way Adjustment

Looking for simplicity? Use the 3396-000 hinge on jobs that only require horizontal and vertical adjustability.



APPLICATION	1/2" Overlay
 Press-in 8 mm Dowels	3396-000 200/ctn

Features

- Grade 2 ANSI/BHMA certified to ANSI 50,000 cycles
- One-piece compact assembly with vertical screw adjustment and horizontal cam adjustment

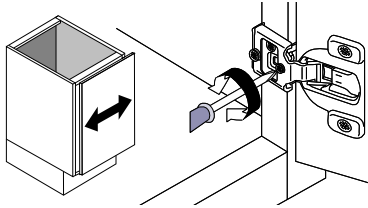
Specs

- 105° opening angle
- Single pivot point
- 4-way adjustability
- 45 mm boring pattern
- Cold-rolled steel with nickel plating
- #7 x 5/8" pan washer head screw (7X0580WCQ) recommended

Three-dimensional door adjustment

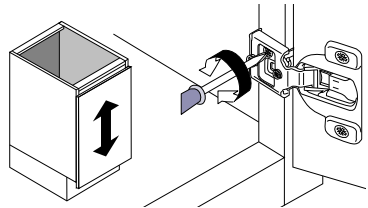
Horizontal adjustment

Rotate front screw to increase or decrease door overlay.



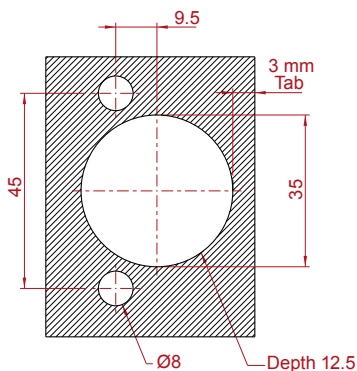
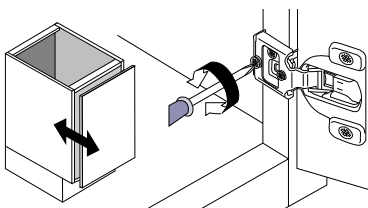
Vertical adjustment

Rotate center cam screw to adjust door position.



Depth adjustment

Rotate rear cam screw to adjust door position.
Note: 3396-000 does not have depth adjustment.

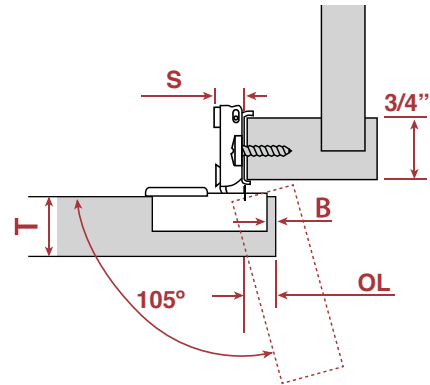


Subject to technical modifications without notice.
Dimensions in millimeters (inch equivalents as noted).

	Boring Depth	Tab
3390 Series	12.5 mm	3 mm

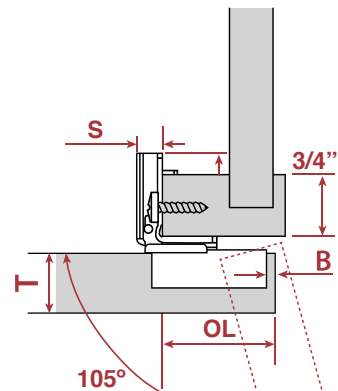
105° Hinges

1/2" to 1" Overlay



Part Number	Overlay	P	S
3390	13 mm (1/2")	5 mm (3/16")	13 mm (1/2")
3390-2-000	13 mm (1/2")	5 mm (3/16")	13 mm (1/2")
3396-0000	13 mm (1/2")	5 mm (3/16")	13 mm (1/2")
3390-6-000	19 mm (3/4")	0	13 mm (1/2")
3391-000	25.4 mm (1")	0	13 mm (1/2")
	Boring distance = 3	Minimum Reveal = 7 mm (9/32")	

1-1/4" to 1-1/2" Overlay



Part Number	Overlay	P	S
3394-000	32 mm (1-1/4")	0	9 mm (11/32")
3393-000	35 mm (1-3/8")	0	9 mm (11/32")
3392-000	38 mm (1-1/2")	0	9 mm (11/32")
	Boring distance = 3	Minimum Reveal = 7 mm (9/32")	

Abbreviations

P	= Door protrusion
S	= Hinge arm protrusion
T	= Door thickness

Independent Soft-Close

- » One soft-close for every application
 - Face frame cabinetry (any overlay)
 - Frameless cabinetry (full overlay)
- » Mounts above the uppermost hinge using one screw
- » Pressure adjustment dial on back of device
- » Strong polymer construction with nickel plating
- » Available in bulk pack or retail pack
- » Retail pack includes #6 x 3/4" pan head screw and mounting instructions.



	<i>Bulk Packed</i>	<i>Retail Packed</i>
Nickel	ISC 200 pcs/ctn	ISC-R 40 pks/box 640 pks/master
<i>Recommended screw:</i>	<i>#6 pan head</i>	<i>screw included</i>



Soft-Close Dampers

Clip-On Soft-Close

- » Available for 500 Series European hinges
- » Quickly and easily installs onto hinge body
- » Smooth closing motion on any size cabinet door
- » Pressure adjustment dial on back of damper
- » Average size doors only require one damper, oversize doors may require two



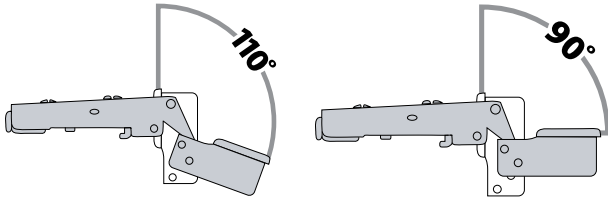
For **500 Series** European hinges
with **0 mm crank**

500.SC
500 pcs/box
1000/master



Hinge Accessories

90° Angle Restrictor Clips for European & Compact Hinges



- » Convert 110° European hinges to 90° and convert 105° compact hinges to 85°
- » Restrictor clip slips easily into the back of the cup
- » Keeps cabinet door from contacting an appliance, wall, or other cabinet



	<i>Restrictor Clip</i>	<i>Angle</i>
For 500 Series European Hinges	575.RC 100 pcs/box*	90°
For 700, 725, & 1750 Series European Hinges	700.RC 100 pcs/box*	90°

*FULL BOX QUANTITIES ONLY



	<i>Restrictor Clip</i>	<i>Angle</i>
For 9390ADJ, 9390 and 8390 Compact Hinges	9390.RC 100 pcs/box*	85°

*FULL BOX QUANTITIES ONLY

Custom Branded Hinge Cover Caps



YOUR Logo printed in black on white plastic caps. 3 week production lead time

	<i>Hinge Cover Cap with Custom Branding</i>	<i>Hinge Cover Cap with Custom Branding</i>
For 500 Series European Hinges	500.CAP 1000/ctn	For 3390 Series Compact Hinges 3390.CAP 1000/ctn
For 700 & 725 Series European Hinges	700.CAP 1000/ctn	

Screwdriver



Screwdriver

#2 Pozi Screwdriver with magnetized tip

HR-SCREW-DRIVER
1 pc/box

Dowels & Screws



8 mm Dowels for Hardware Resources Hinges

276.4389.37
5000 pcs/master

Dowel Screws for Hardware Resources Hinges

828.6250.05
10,000 pcs/master

Hinge Boring & Accessories

Hinge Boring Machine

- Single-handed operation
- Quick tab setting with dial indicator
- Fully-adjustable up and down speed setting
- Each machine is fine-tuned and preset before shipment
- Board placement guide provides fast and consistent alignment
- 220V single phase boring machine, 1.5 HP, 3450 RPM
- Ships preassembled with bits and long-arm European hinge ram for 1750, 700, 725, & 500 series hinges
- Ships with tool kit
- Affordable hinge commitment program —ask your rep for details



Scan to watch the
Boring Machine video
delivr.com/2x3gu



HRBORE220SP

Insertion Rams

- Solid steel construction guaranteed to last and to hold tolerances
 - Magnetic and ball bearing catches integrated into ram to hold hinge in place during insertion
 - RAM3386 compatible only with HRBORE220SP machine
- Compatible with most brands of boring machines
 - Adjustable set screws allowing adjustment of ram for all European hinges
 - Compatible with 500, 700, 725, & 1750 series European hinges and 22855 series compact hinges



*Insertion Ram for
HR Boring Machine (standard)*

LARM-110



*Insertion Ram for
non-HR Boring Machines*

LARM-110B



*Insertion Ram for
700.0M73.05 165° Hinge*

LARM-165.SFT



*Insertion Ram for
3390 Series Compact Hinges*

RAM3386



*Insertion Ram for 9390ADJ, 9390,
and 8390 Dura-Close® Series Hinges*

LARM-7390

Replacement Bits



8 mm Brad Bit for Dowel Hole

301008



35 mm Center Bit for Cup Hole

203351

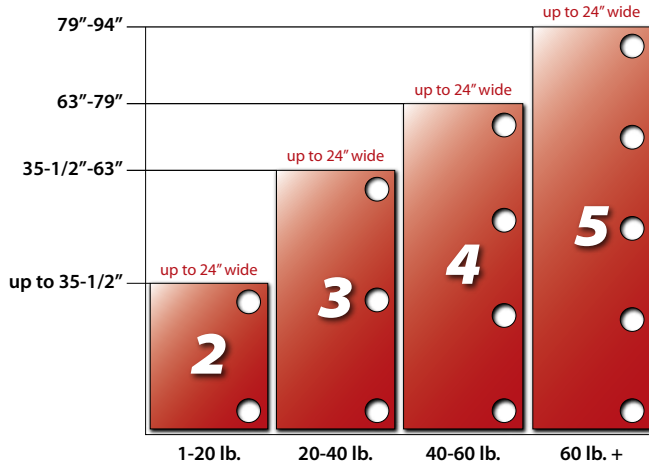
- Solid carbide cutting edge stays sharp and precise
- Carbon alloy steel prevents corrosion and defects

Hinge Mounting Information

Determining the Number of Hinges per Door

European Hinges

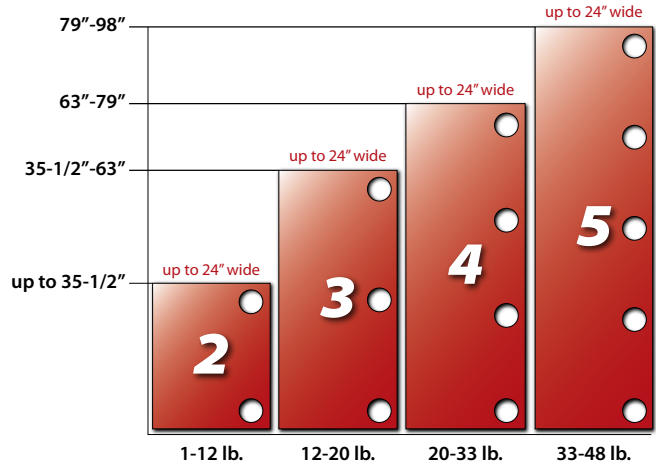
Door Height



Door Weight

Compact Hinges

Door Height

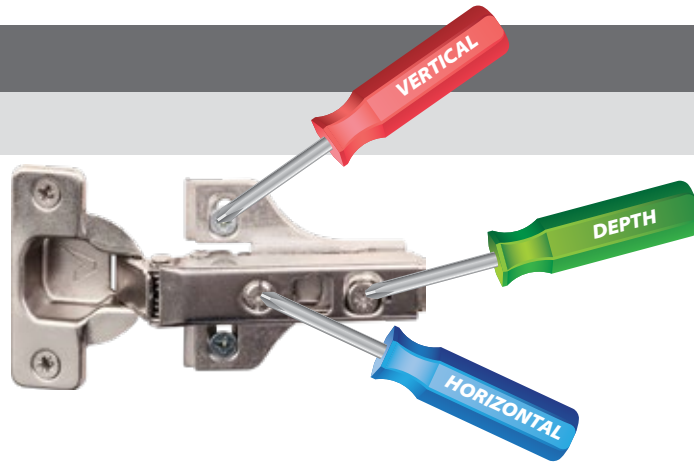


Door Weight

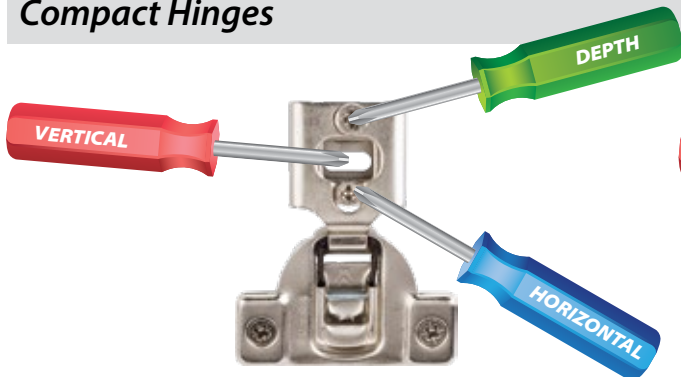
NOTE: Avoid doors that are wider than they are tall.
Keep hinges as close to top and bottom of door as possible.
Attach hinges and plates using all available holes.

Adjusting the Hinge

European Hinges



Compact Hinges



Compact Hinge - 22855 series

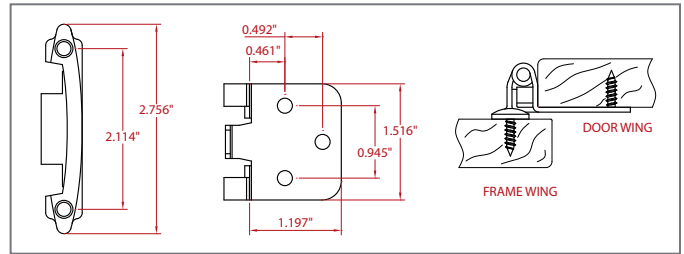


Hinge Mounting Information

Conversion Chart					
mm	inch		mm	inch	
1	1/32	.031	13.5	17/32	.531
1.5	1/16	.063	14	9/16	.563
2	5/64	.078	15	19/32	.594
3	1/8	.125	16	5/8	.625
4	5/32	.156	17	21/32	.656
5	3/16	.188	17.5	11/16	.688
5.5	7/32	.219	18	23/32	.719
6	1/4	.25	19	3/4	.75
7	9/32	.281	20	25/32	.781
8	5/16	.313	20.5	13/16	.813
9	11/32	.344	21	27/32	.844
9.5	3/8	.375	22	7/8	.875
10	13/32	.406	23	29/32	.906
11	7/16	.438	24	15/16	.938
12	15/32	.469	24.5	31/32	.969
13	1/2	.5	25.4	1	1

Decorative Hinges Self-Closing

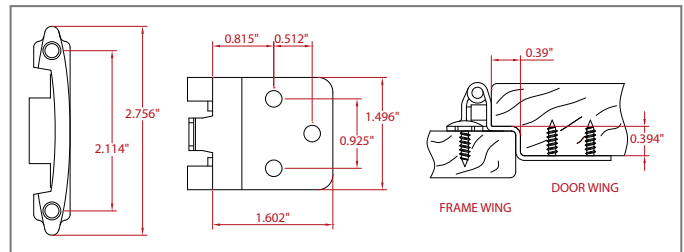
Overlay Hinge—Face Frame Mount



	<i>Bulk Pack</i>	<i>Retail Pack</i>
Antique Brass		P5011AB
Black Powder Coat	H5011BLK	—
Brushed Dull Nickel	H5011BNBDL	—
Burnished Brass	H5011BB	P5011BB
Dark Antique Copper Machined	—	P5011DACM
Dark Brushed Antique Copper	H5011DBAC	P5011DBAC
Matte Black NEW	—	P5011MB-R
Polished Brass	—	P5011PB
Satin Nickel	H5011SN	P5011SN
White	—	P5011WH
	125 pr/ctn	1 pr/polybag 100 pks/ctn

- » Traditional overlay hinge with semi-concealed frame wing
- » Steel construction with reliable power pack for firm, spring-loaded self-close
- » #5 x 5/8" oval head screw recommended for face frame attachment and #6 x 1/2" flat head screw recommended for door attachment
- » Retail packs are polybagged with UPC label and contain: 2 hinges, 4 finished screws for face frame attachment, 6 finished screws for door attachment, and 2 door bumpers

3/8" Inset Hinge—Face Frame Mount



	<i>Bulk Pack</i>	<i>Retail Pack</i>
Antique Brass		P5922AB
Burnished Brass	H5922BB	—
Dark Antique Copper Machined	—	P5922DACM
Dark Brushed Antique Copper	—	P5922DBAC
Matte Black NEW	—	P5922MB-R
Polished Brass	—	P5922PB
Polished Chrome	—	P5922PC
Satin Nickel	—	P5922SN
	125 pr/ctn	1 pr/polybag 100 pks/ctn

- » Traditional 3/8" inset hinge with semi-concealed frame wing
- » Steel construction with reliable power pack for firm, spring-loaded self-close
- » #5 x 5/8" oval head screw recommended for face frame attachment and #6 x 1/2" flat head screw recommended for door attachment
- » Retail packs are polybagged with UPC label and contain: 2 hinges, 4 finished screws for face frame attachment, 6 finished screws for door attachment, and 2 door bumpers

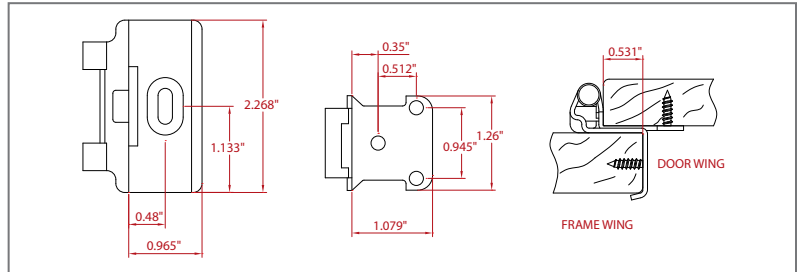
Full Wrap Around Hinge—3 Hole Door Mount, 1/2" Overlay



Bulk Pack

Antique Brass	H6541AB
Burnished Brass	H6541BB
Satin Nickel	H6541SN

100pr/ctn



- » For 3/4" frame and 1/2" overlay applications
- » Steel construction with reliable power pack for firm, spring-loaded self-close
- » #6 x 5/8" flat head screw recommended for fast single-point attachment to face frame and #6 x 1/2" flat head screws recommended for door attachment
- » Slotted face frame hole provides vertical adjustment

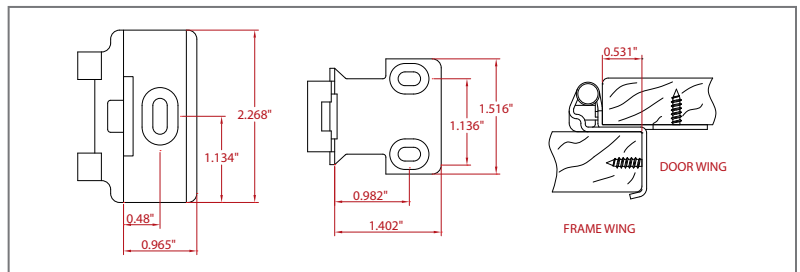
Full Wrap Around Hinge—2 Hole Door Mount, 1/2" Overlay



Bulk Pack

Burnished Brass	H6441BB
Satin Nickel	H6441SN

100 pr/ctn



- » For 3/4" frame and 1/2" overlay applications
- » Steel construction with reliable power pack for firm, spring-loaded self-close
- » #6 x 5/8" flat head screw recommended for fast single-point attachment to face frame and #6 x 1/2" flat head screw recommended for door attachment
- » Slotted face frame and door holes provide horizontal and vertical adjustment

Decorative Hinges Self-Closing

Partial Wrap Around Hinge—3 Hole Door Mount, 1/2" Overlay

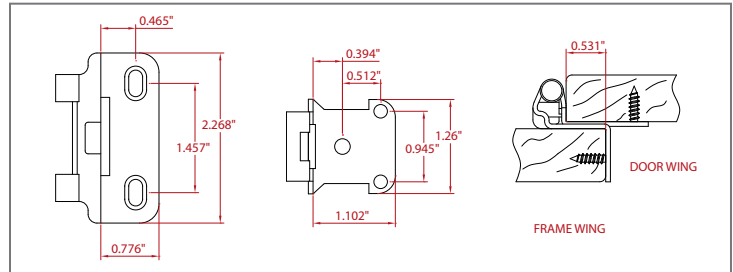


Burnished Brass

Bulk Pack

H7441BB

200 pr/ctn

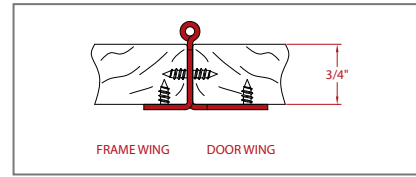


- » For 3/4" frame and 1/2" overlay applications
- » Steel construction with reliable power pack for firm, spring-loaded self-close
- » #6 x 5/8" flat head screw recommended for attachment to face frame and #6 x 1/2" flat head screw recommended for door attachment
- » Slotted face frame holes provide vertical adjustment

Decorative Hinges Free-swinging

Decorative
Hinges

Full Wrap Around Hinge—Full Inset Ball Tip

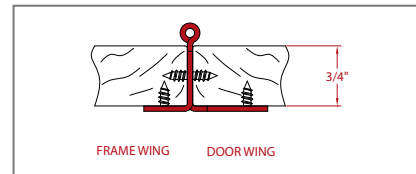


	<i>Bulk Pack</i>
Antique Brass	0128AB
Dark Brushed Antique Copper	0128DBAC
Matte Black	0128MB
Satin Nickel	0128SN

250 pcs/ctn

- » For 3/4" frame and 3/4" door, 270° opening
- » For full inset frame applications
- » Stylish ball tips for Shaker-style cabinets with raised panel doors
- » Non-mortise hinge quickly installs and yields minimal door gap
- » #6 x 5/8" flat head screw recommended for attachment to frame and #6 x 1/2" flat head screw recommended for door attachment
- » Slotted holes provide horizontal and vertical adjustment
- » Coordinates with Jeffrey Alexander cabinet latch (Part #CL101)

Full Wrap Around Hinge—Full Inset Minaret Tip



	<i>Bulk Pack</i>
Matte Black	0138MB
Satin Nickel	0138SN

20 pcs/box
200 pcs/master

- » For 3/4" frame and 3/4" door, 270° opening
- » For full inset frame applications
- » Stylish minaret tips for Shaker-style cabinets with raised panel doors
- » Non-mortise hinge quickly installs and yields minimal door gap
- » #6 x 5/8" flat head screw recommended for attachment to frame and #6 x 1/2" flat head screw recommended for door attachment
- » Slotted holes provide horizontal and vertical adjustment
- » Coordinates with Jeffrey Alexander cabinet latch (Part #CL101)

Decorative Hinges Free-swinging

Full Wrap Around Hinge—Offset Bifold

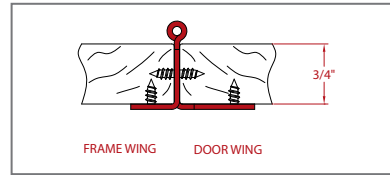


Bulk Pack

Polished Brass

9915PB

400 pcs/ctn



- » For 3/4" frame and 3/4" door, 180° opening
- » For offset applications
- » Non-mortise hinge quickly installs and yields minimal door gap
- » #6 x 5/8" flat head screw recommended for attachment to frame and #6 x 1/2" flat head screw recommended for door attachment
- » Slotted holes provide horizontal and vertical adjustment

Partial Wrap Around Hinge—Full Inset "A" Style Minaret Tip



Bulk Pack

Antique Brass

0148AB

Dark Brushed Antique Copper

0148DBAC

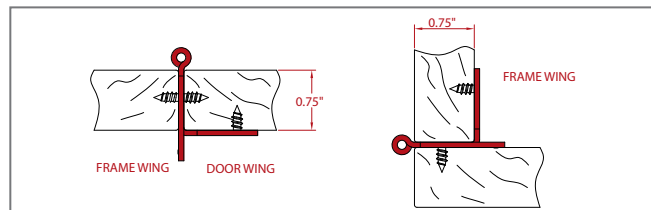
Matte Black

0148MB

Satin Nickel

0148SN

250 pcs/ctn



- » For 3/4" frame and 3/4" door, 270° opening
- » For full inset face frame applications
- » "A" style slim form minaret tips for Shaker-style cabinets with raised panel doors
- » Non-mortise hinge quickly installs and yields minimal door gap
- » #6 x 5/8" flat head screw recommended for attachment to frame and #6 x 1/2" flat head screw recommended for door attachment
- » Slotted holes provide vertical adjustment
- » Coordinates with Jeffrey Alexander cabinet latch (Part # CL101)

Decorative Hinges Free-swinging

Decorative
Hinges

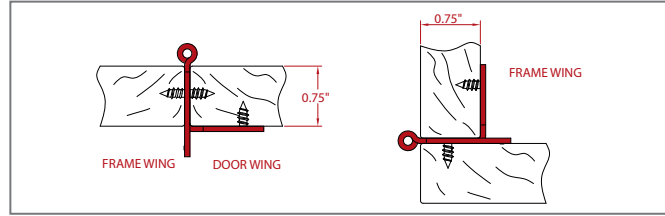
Partial Wrap Around Hinge—Full Inset “B” Style Minaret Tip



Bulk Pack

Dark Brushed Antique Copper	0158DBAC
Polished Nickel	0158NI
Satin Nickel	0158SN

50 pcs/box
300 pcs/master



- » For 3/4" frame and 3/4" door, 270° opening
- » For full inset face frame applications
- » “B” style rounded minaret tips for Shaker-style cabinets with raised panel doors
- » Non-mortise hinge quickly installs and yields minimal door gap
- » #6 x 5/8" flat head screw recommended for attachment to frame and #6 x 1/2" flat head screw recommended for door attachment
- » Slotted holes provide vertical adjustment
- » Coordinates with Jeffrey Alexander cabinet latch (Part # CL101)

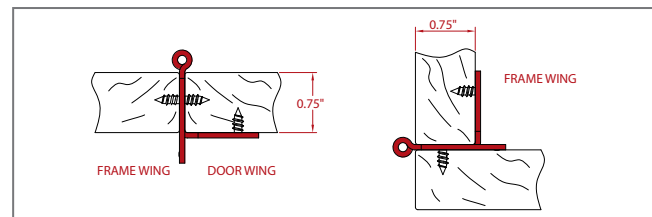
Tall Partial Wrap Around Hinge—Full Inset Minaret Tip



Bulk Pack

Polished Nickel	0178NI
Satin Nickel	0178SN

50 pcs/box
200 pcs/master



- » For 3/4" frame and 3/4" door, 270° opening
- » For full inset face frame applications
- » Minaret tips for Shaker-style cabinets with raised panel doors
- » Non-mortise hinge quickly installs and yields minimal door gap
- » #6 x 5/8" flat head screw recommended for attachment to frame and #6 x 1/2" flat head screw recommended for door attachment
- » Slotted holes provide vertical adjustment
- » Coordinates with Jeffrey Alexander cabinet latch (Part # CL101)

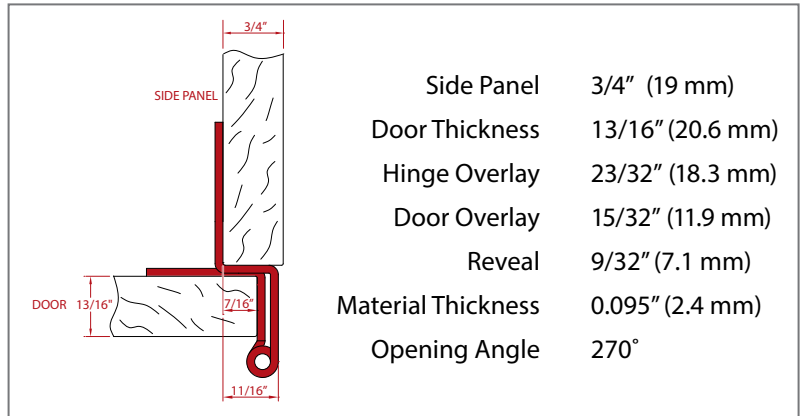
5 Knuckle Overlay Hinge



Bulk Pack

Almond Powder Coat	HR0076AL
Black Powder Coat	HR0076BLK
Dull Chrome (26D)	HR0076
Stainless Steel (304)	HR0076SS
White Powder Coat	HR0076WH
Recommended screw:	#8 flat head or Euro

108 pcs/box



- » Conforms to ANSI/BHMA Grade 1 requirements
- » Hospital tips, 2-3/4" overall height
- » 32 mm system hole pattern with 37 mm setback
- » Countersunk screw holes for recommended #8 flat head or Euro screws
- » Stainless steel #8 x 3/4" flathead screw available (8X347-2)

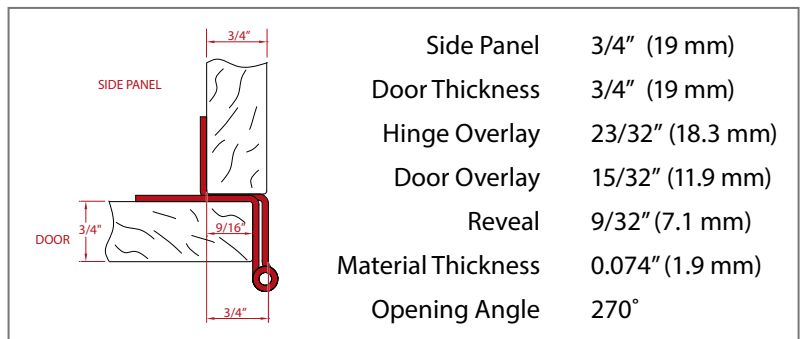
3 Knuckle Heavy-Duty Hinge



Bulk Pack

Black Powder Coat	9975BLK
Bright Nickel	9975BN

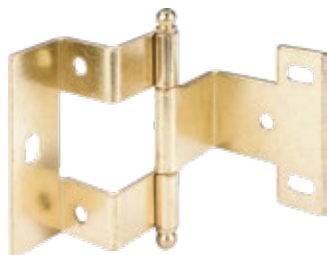
100 pcs/ctn



- » Decorative ball tips, 2-5/16" overall height
- » Drilled knuckle inner diameter
- » 32 mm system hole pattern

Institutional Hinges

3 Knuckle Medium-Duty Hinge

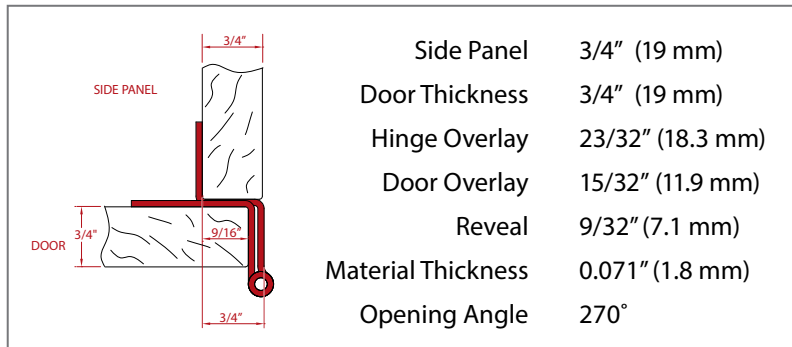


Bulk Pack

Polished Brass

9925PB

300 pcs/ctn



- » Decorative ball tips, 3-1/8" overall height
- » Countersunk screw holes for recommended #6 flat head screws

Single Pivot Institutional Hinge



Bulk Pack

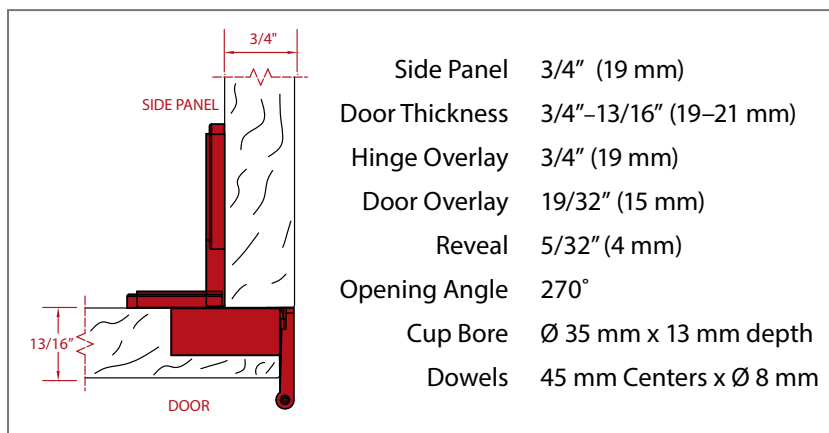
Nickel

HR0086

Recommended screw:

#8 pan head

100 pcs/ctn



- » Solid zinc die cast construction
- » 8 mm dowels preattached to cup
- » Integrated polymer catch with positive lock
- » Conforms to ANSI/BHMA Grade 1 requirements

Specialty Decorative Hinges

Continuous (Piano) Hinge



Boxed

Bright Nickel	5414
Polished Brass	5413
Recommended screw:	#6 flat head

25 pcs/ctn

- » 21-gauge steel (0.035")
- » 1-1/2" open width, 11/16" leaf width
- » Ships in 6' pieces, cuttable to length
- » 2" hole spacing, 1/4" knuckle length

Butler Tray Hinge



Polybag Pack

Brass	BTH-12
36 pcs/ctn	

- » Hinge mortises flush into surface of table
- » Hinge folds up 90° and stops
- » Stop holds hinge flat in horizontal position
- » Sold individually with screws included

False Front Clips



18.25 mm



21 mm Extended



Roller/Spacer

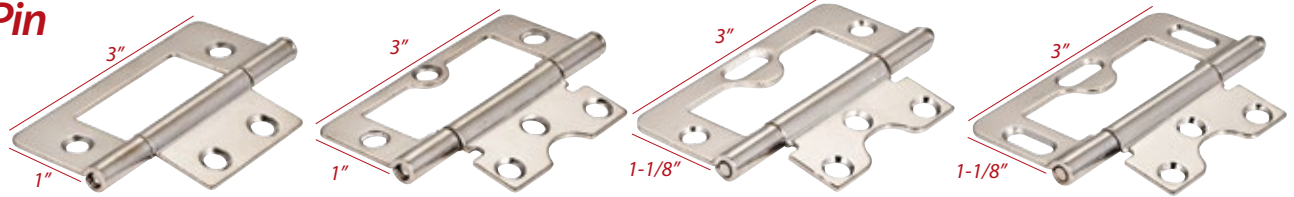
Black Plated	FFC11BLK	FFC12BLK	—
White	—	—	FFS11
Recommended screw:	#6 flat head	#6 flat head	
	5000 pcs/ctn	2500 pcs/ctn	5000 pcs/ctn

- » Easily attach false drawer fronts to cabinet frames in applications such as in front of a sink or stove
- » Perfect for sink base cabinets in kitchens and bathrooms

Shutter Hinges Non-Mortise

Shutter
Hardware

Loose Pin



3" Swaged—4 Holes

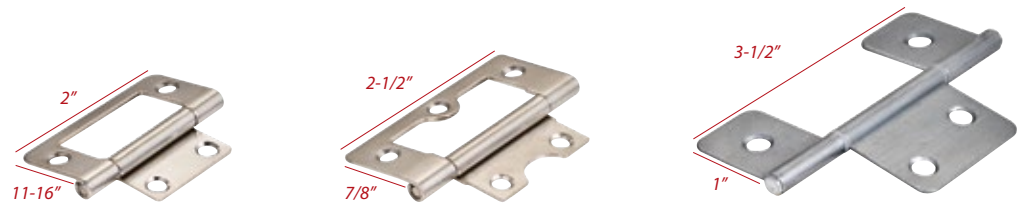
3" Swaged—6 Holes

3" Swaged—1 Slot

3" Swaged—3 Slots

Almond	9500ALM	9802ALM	9805ALM	9806ALM
Antique Brass	9500AB	9802AB	—	—
Bright Nickel	9500BN	9802BN	—	—
Bright White	9500BWH	9802BWH	9805BWH	—
Brushed Chrome	9500BC	—	—	—
Dark Antique Copper Machined	9500DACM	9802DACM	9805DACM	—
Dull White	9500WH-D	—	—	—
Polished Brass	9500PB	9802PB	9805PB†	—
White	9500WH	9802WH	9805WH	—
Recommended screw:	#6 x 5/8" flat head	#6 x 5/8" flat head	#6 x 5/8" flat head	#6 x 5/8" flat head
	50 pcs/box 250 pcs/master	50 pcs/box 250 pcs/master	50 pcs/box 250 pcs/master	50 pcs/box 250 pcs/master

Fixed Pin



2" Flat Back

2-1/2" Flat Back

3-1/2" Swaged 3 Leaf

Almond	—	—	20251-ALMS
Antique Brass	—	—	20251AB
Antique Copper	—	9801AC	—
Black	9800BLK	—	—
Bright Nickel	—	—	20251BN
Bright White	—	—	20251BWH
Brushed Chrome	—	—	20251BC
Polished Brass	9800PB	—	20251PB
White	—	—	20251-WHS
Recommended screw:	#4 x 5/8" flat head	#5 x 5/8" flat head	#6 x 5/8" flat head
	50 pcs/box 500 pcs/master	50 pcs/box 500 pcs/master	100 pcs/box 500 pcs/master

Shutter Hinges Butt

Swaged or Not Swaged... What Hinge Do I Need?

<p>PLAIN HINGE Neither leaf is swaged, the leaves lie flat in the same plane in an open position</p>			
<p>SINGLE FULL SWAGED HINGE One leaf is fully swaged providing relief for offset mounting</p>			
<p>SINGLE HALF SWAGED HINGE One leaf is half swaged for certain mounting requirements</p>			
<p>DOUBLE HALF SWAGED HINGE Both leaves are half swaged with minimum clearance between the leaves when closed</p>			

Single Half Swaged



1-1/2" x 1-3/4"



2-1/2" x 1-1/2"

Almond	—	33527ALM
Antique Brass	—	33527AB
Bright Nickel	—	33527BN
Bright White	—	33527BWH
Brushed Chrome	—	—
Dark Antique Copper Machined	—	33527DACM
Prime Coat	20160PR	33527PR
Stainless Steel	—	33527SS
White	—	33527WH
Recommended screw:	#5 x 5/8" flat head	#6 x 5/8" flat head

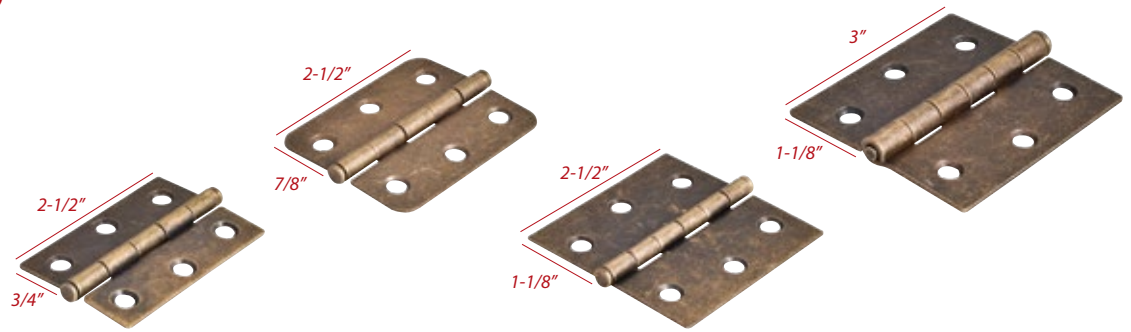
250 pcs/box
1000 pcs/master

100 pcs/box
500 pcs/master

Shutter Hinges Butt

Shutter
Hardware

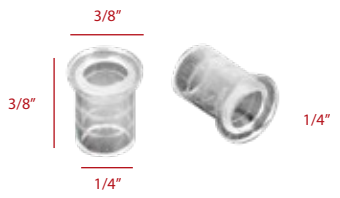
Single Full Swaged



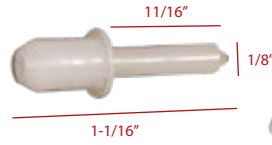
	<i>2-1/2" x 2" Radius Corner</i>		<i>2-1/2" x 2-1/2"</i>	<i>3" x 2-3/4"</i>	
	<i>2-1/2" x 1-11/16"</i>	<i>Non-Swaged</i>	<i>Swaged</i>		
Almond	—	—	33530ALM	33524ALM	—
Antique Brass	33528AB	33529AB	33530AB	33524AB	OL33550AB
Bright Nickel	33528BN	—	—	33524BN	OL33550BN
Bright White	33528BWH	33529BWH	33530BWH	33524BWH	OL33550BWH
Brushed Chrome	—	33529BC	—	33524BC	OL33550BC
Dark Antique Copper Machined	—	33529DACM	33530DACM	33524DACM	OL33550DACM
Off White	—	—	—	33524OWH	—
Polished Brass	—	—	—	33524PB	OL33550PB
Prime Coat	—	—	33530PR	—	OL33550PR
Stainless Steel	—	—	—	33524SS	OL33550SS
White	33528WH	33529WH	33530WH	33524WH	OL33550WH
<i>Recommended screw:</i>	<i>#6 x 5/8" flat head</i>	<i>#6 x 5/8" flat head</i>	<i>#6 x 3/4" flat head</i>	<i>#8 x 3/4" flat head</i>	
	100 pcs/box 500 pcs/master	100 pcs/box 400 pcs/master	50 pcs/box 250 pcs/master	50 pcs/box 200 pcs/master	

Shutter Hardware

Louver Pins



Flange Bushing



Louver Pin



Spring-Loaded Louver Pin

Nylon/Natural	—	LP1000	—
	20 K/ctn	15 K/ctn	10 K/ctn

Button Catches



Reverse Clip L Mount



Inside Clip

Polished Brass	—	50614
Zinc	50600	50610
Recommended screw:	#5 x 5/8" flat head	#5 x 5/8" flat head

100 receivers +
100 buttons/box
500 receivers +
500 buttons/master

100 receivers +
100 buttons/box
500 receivers +
500 buttons/master

Screw Selection Guide

Screw Finishes



Ordering Options

All screws priced and sold by the thousand (K).
To calculate pricing multiply the quantity (Qty) by the price.



Keg Bucket

- The value package, available in our most popular screws
- Heavy-duty and convenient way to take screws to the jobsite
- More durable than cardboard boxes
- Bucket is reusable for many applications
- Lid securely snaps and stays in place



White Box

(all part #s ending in -B)

- Smaller order minimums
- 4 white inner boxes make up one master case
- Purchase by the inner box or by the case



Economy Pack Box (all part #s ending in -2)

- Carton quantity is 2000 pcs
- Economy packed for lower inventory commitment
- Stocked in all warehouses for fast delivery on urgent jobs
- Select from our most popular hardware, assembly and installation screws

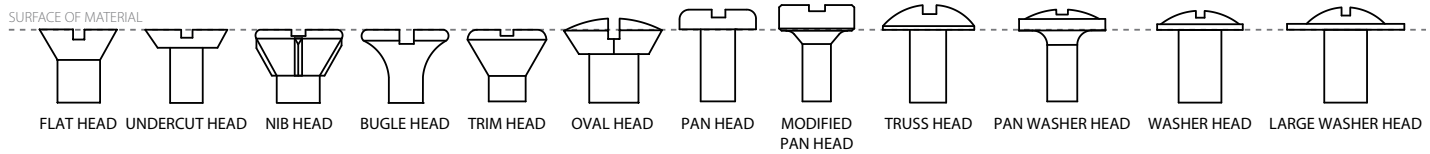
Example:

Description	Diameter x Length	Finish	Drive	Tip	Part #	Qty
Coarse Thread	#6 x 5/8"	Zinc	#2 Square	-	6X580Q-B	6K
Coarse Thread	#6 x 5/8"	Zinc	#2 Square	Type 17	6X58017Q	25K
Coarse Thread	#6 x 5/8"	Zinc	#2 Square	Type 17	6X58017Q-B	6K
Coarse Thread	#6 x 5/8"	AB	Phillips	-	6X582	25K
Coarse Thread	#6 x 5/8"	AB	Phillips	-	6X582-B	6K

Qty x Price = Total price per package

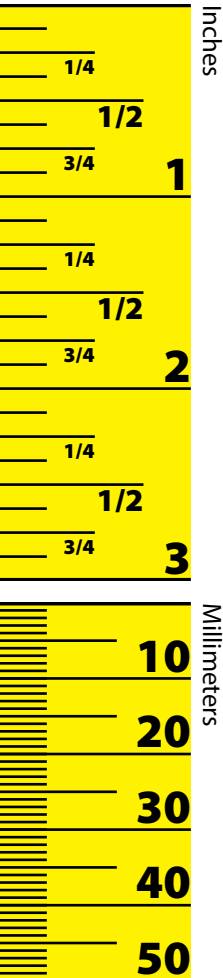
Screw Selection Guide

Head Types *(Measure length from surface of material to screw tip)*



Head Sizes

	#4	#5	#6	#7	#8	#9	#10	#14
Flat Head	0.225"	0.252"	0.255"	0.295"	0.332"	0.335"	0.385"	0.491"
Oval Head		0.252"						
Pan Head			0.270"	0.296"	0.322"		0.373"	
Pocket Hole/Face Frame			Modified	Modified				
Truss Head			0.260"		0.384"			
Standard Washer Head					0.375"		0.500"	
Large Washer Head					0.500"			



Drives



PHILLIPS

Most common in wood applications



PHILLIPS SLOTTED COMBO

Popular on truss head machine screws

Use Phillips bit to drive

Use Phillips or Flat bit to remove



POZI

Allows tight engagement, prevents stripping



POZI SLOTTED COMBO

Found on 2-piece connectors

Use Pozi bit to drive

Use Pozi or Flat bit to remove



SQUARE

Popular in hand-driven applications

Allows tight engagement, prevents stripping



PHILLIPS SQUARE COMBO

Allows tight engagement, prevents stripping

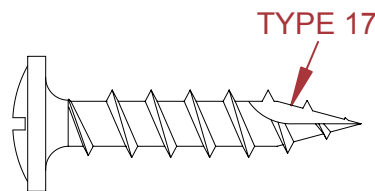
Use Square or Combo bit to drive

Use Square, Combo, or Phillips bit to remove



HEX

Found on drivers and draw bolts



*NO BROKEN CARTONS. FULL CARTONS ONLY

	Item	Length	Drive	Material	Part #	Qty
	Bit	#2 x 1"	Phillips	Steel	3395	1 K
	Bit	#2 Reduced Shank x 1"	Phillips	Steel	3400	1 K
	Bit	#2 x 1"	Pozi	Steel	3407	1 K
	Bit	#2 Reduced Head x 1"	Pozi	Steel	3408	1 K
	Bit	#1 Reduced Head x 1"	Square	Steel	3402	1 K
	Bit	#1 x 1"	Square	Steel	3403	1 K
	Bit	#2 Reduced Head x 1"	Square	Steel	3404	1 K
	Bit	#2 x 1"	Square	Steel	3405	1 K
	Bit	#2 x 3"	Square	Steel	3406	1 K
	Bit	#2 x 6"	Square	Steel	S2-6DRIVE	.5 K
	Bit Holder	Two-Piece Magnetic	1/4" Hex	Steel	3410	.25 K
	Bit Holder	One-Piece Magnetic SS	1/4" Hex	Steel	3411	.25 K
	Bit Holder	Super Magnetic	1/4" Hex	Steel	3412	.25 K
	Screwdriver	4" Shaft. Hardened & Magnetized Tip.	#2 Pozi	-	HR-SCREW-DRIVER	1

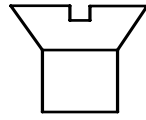
Hardware Attachment Screws

*NO BROKEN CARTONS. FULL CARTONS ONLY

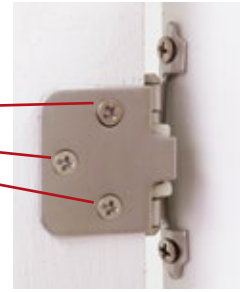
Hinges, Plates, & Brackets



Type 17



FLAT HEAD



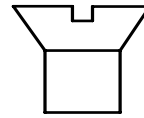
Description	Diameter x Length	Finish	Drive	Tip	Part #	Qty
Coarse Thread	#5 x 1/2"	Zinc	Phillips	-	5X120	35 K
Coarse Thread	#5 x 1/2"	Zinc	Phillips	-	5X120-B	10 K
Coarse Thread	#5 x 1/2"	Zinc	Phillips	-	5X120-2	2 K
Coarse Thread	#5 x 5/8"	Zinc	Phillips	-	5X580	30 K
Coarse Thread	#5 x 5/8"	Zinc	Phillips	-	5X580-B	7.5 K
Coarse Thread	#5 x 5/8"	Zinc	#1 Square	Type 17	5X580Q-B	7.5 K
Coarse Thread	#5 x 5/8"	Nickel	Phillips	-	5X581-B	7.5 K
Coarse Thread	#5 x 5/8"	PB	Phillips	-	5X583-B	7.5 K
Coarse Thread	#6 x 1/2"	Zinc	Phillips	-	6X120	25 K
Coarse Thread	#6 x 1/2"	Zinc	Phillips	-	6X120-B	6 K
Coarse Thread	#6 x 1/2"	Zinc	#2 Square	-	6X120Q	25 K
Coarse Thread	#6 x 1/2"	Zinc	#2 Square	-	6X120Q-B	6 K
Coarse Thread	#6 x 1/2"	AB	Phillips	-	6X122	25 K
Coarse Thread	#6 x 1/2"	Nickel	Phillips	-	6X121	25 K
Coarse Thread	#6 x 1/2"	Nickel	Phillips	-	6X121-B	6 K
Coarse Thread	#6 x 5/8"	Zinc	Phillips	-	6X580	25 K
Coarse Thread	#6 x 5/8"	Zinc	Phillips	-	6X580-B	6 K
Coarse Thread	#6 x 5/8"	Zinc	Phillips	-	6X580-2	2 K
Coarse Thread	#6 x 5/8"	Zinc	Phillips	Type 17	6X5800	25 K
Coarse Thread	#6 x 5/8"	Zinc	Phillips	Type 17	6X5800-B	6 K
Coarse Thread	#6 x 5/8"	Zinc	Phillips	Type 17	6X5800-2	2 K

Hardware Attachment Screws

*NO BROKEN CARTONS. FULL CARTONS ONLY

**Screws &
Fasteners**

Hinges, Plates, & Brackets



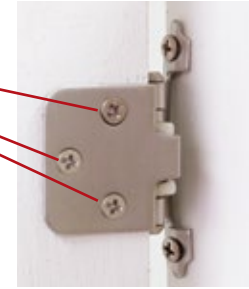
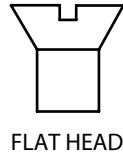
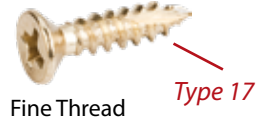
FLAT HEAD

Description	Diameter x Length	Finish	Drive	Tip	Part #	Qty
Coarse Thread	#6 x 5/8"	Zinc	#2 Square	-	6X580Q	25 K
Coarse Thread	#6 x 5/8"	Zinc	#2 Square	-	6X580Q-B	6 K
Coarse Thread	#6 x 5/8"	Zinc	#2 Square	Type 17	6X58017Q	25 K
Coarse Thread	#6 x 5/8"	Zinc	#2 Square	Type 17	6X58017Q-B	6 K
Coarse Thread	#6 x 5/8"	AB	Phillips	-	6X582	25 K
Coarse Thread	#6 x 5/8"	AB	Phillips	-	6X582-B	6 K
Coarse Thread	#6 x 5/8"	AB	Phillips	Type 17	6X5802-B	6 K
Coarse Thread	#6 x 5/8"	Nickel	Phillips	-	6X581	25 K
Coarse Thread	#6 x 5/8"	Nickel	Phillips	-	6X581-B	6 K
Coarse Thread	#6 x 5/8"	Nickel	Phillips	Type 17	6X5801	25 K
Coarse Thread	#6 x 5/8"	Nickel	Phillips	Type 17	6X5801-B	6 K
Coarse Thread	#6 x 5/8"	White	Phillips	-	6X585-B	6 K
Coarse Thread	#6 x 5/8"	Almond	Phillips	-	6X588-B	6 K
Coarse Thread	#6 x 5/8"	Black	#2 Square	Type 17	6X580QB-BLK	.5 K
Coarse Thread	#6 x 3/4"	Zinc	Phillips	-	6X3400	20 K
Coarse Thread	#6 x 3/4"	Zinc	Phillips	-	6X3400-2	2 K
Coarse Thread	#6 x 3/4"	Zinc	Phillips	-	6X3400-B	5 K
Coarse Thread	#6 x 3/4"	Zinc	#2 Square	-	6X340Q	20 K
Coarse Thread	#6 x 3/4"	Zinc	#2 Square	-	6X340Q-B	5 K
Coarse Thread	#6 x 3/4"	Zinc	#2 Square	-	6X340Q-2	2 K
Coarse Thread	#6 x 3/4"	Zinc	Phillips	Type 17	6X3410	20 K
Coarse Thread	#6 x 3/4"	Zinc	Phillips	Type 17	6X3410-B	5 K
Coarse Thread	#6 x 3/4"	Zinc	#2 Square	Type 17	6X34017Q-B	5 K
Coarse Thread	#6 x 3/4"	AB	Phillips	-	6X3402	20 K
Coarse Thread	#6 x 3/4"	AB	Phillips	-	6X3402-B	5 K

Hardware Attachment Screws

*NO BROKEN CARTONS. FULL CARTONS ONLY

Hinges, Plates, & Brackets



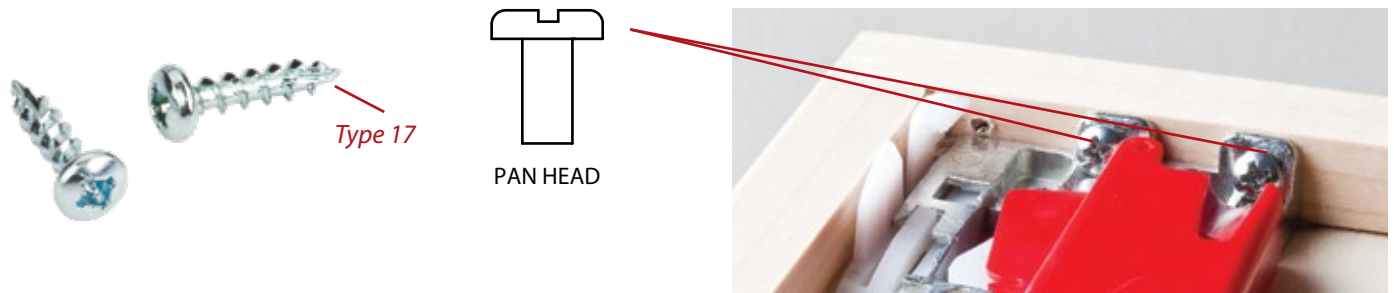
Description	Diameter x Length	Finish	Drive	Tip	Part #	Qty
Coarse Thread	#6 x 3/4"	Nickel	Phillips	-	6X3401	20 K
Coarse Thread	#6 x 3/4"	Nickel	Phillips	-	6X3401-B	5 K
Coarse Thread	#6 x 3/4"	Almond	Phillips	Type 17	6X3414-B	5 K
Coarse Thread	#6 x 3/4"	DACM	Phillips	-	6X3406-B	5 K
Coarse Thread	#6 x 3/4"	White	Phillips	-	6X3405-B	5 K
Coarse Thread	#6 x 3/4"	White	Phillips	Type 17	6X3415-B	5 K
Coarse Thread	#6 x 1"	Zinc	Phillips	-	6X10	20 K
Coarse Thread	#7 x 5/8"	Zinc	Phillips	-	7X580	20 K
Coarse Thread	#7 x 5/8"	Zinc	Phillips	-	7X580-B	5 K
Coarse Thread	#7 x 5/8"	Nickel	Phillips	-	7X581-B	5 K
Coarse Thread	#8 X 5/8"	Zinc	Phillips	-	8X5800	15 K
Coarse Thread	#8 X 5/8"	Zinc	Phillips	-	8X5800-B	3.5 K
Coarse Thread	#8 X 5/8"	Zinc	Phillips	Type 17	8X58170-B	3.5 K
Coarse Thread	#8 X 5/8"	AB	Phillips	-	8X5802-B	3.5 K
Coarse Thread	#8 X 5/8"	White	Phillips	-	8X5805-B	3.5 K
Coarse Thread	#8 X 3/4"	Zinc	Phillips	-	8X340	12 K
Coarse Thread	#8 X 3/4"	Zinc	Phillips	-	8X340-B	3 K
Coarse Thread	#8 X 3/4"	Zinc	Phillips	Type 17	8X34170	12 K
Coarse Thread	#8 X 3/4"	Zinc	Phillips	Type 17	8X34170-B	3 K
Coarse Thread	#8 X 3/4"	Almond	Phillips	-	8X344-B	3 K
Coarse Thread	#8 X 3/4"	DACM	Phillips	-	8X346-B	3 K
Coarse Thread	#8 X 3/4"	Nickel	Phillips	Type 17	8X34171-B	3 K

Hardware Attachment Screws

*NO BROKEN CARTONS. FULL CARTONS ONLY

Screws & Fasteners

Misc. Hardware

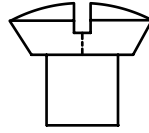


Description	Diameter x Length	Finish	Drive	Tip	Part #	Qty
Coarse Thread	#6 x 7/16"	Zinc	Phillips	-	6X7160	25 K
Coarse Thread	#6 x 7/16"	Zinc	Phillips	-	6X7160-B	6 K
Coarse Thread	#6 x 1/2"	Zinc	Phillips	Type 17	6X1200	25 K
Coarse Thread	#6 x 1/2"	Zinc	Phillips	Type 17	6X1200-B	6 K
Coarse Thread	#6 x 1/2"	Zinc	Phillips	Type 17	6X1200-2	2 K
Coarse Thread	#6 x 1/2"	Zinc	#1 Square	Type 17	6X120017Q-B	6 K
Coarse Thread	#6 x 1/2"	Nickel	Phillips	-	6X1205-B	6 K
Coarse Thread	#6 x 1/2"	Black	#1 Square	Type 17	6X1200QB-B	6 K
Coarse Thread	#6 x 5/8"	Zinc	Phillips	-	6X2580	20 K
Coarse Thread	#6 x 5/8"	Zinc	Phillips	-	6X2580-B	6 K
Coarse Thread	#6 x 5/8"	Zinc	#1 Square	Type 17	6X258017Q-B	6 K
Coarse Thread	#6 x 5/8"	Zinc	Combo	Type 17	6X258017CH	20 K
Coarse Thread	#6 x 3/4"	Zinc	Phillips	-	6X2340-B	1 K
Coarse Thread	#8 x 5/8"	Zinc	Phillips	-	8X580	14 K
Coarse Thread	#8 x 5/8"	Zinc	Phillips	-	8X580-B	3.5 K
Coarse Thread	#8 x 3/4"	Zinc	Phillips	Type 17	8X3400	11 K
Coarse Thread	#8 x 3/4"	Zinc	Phillips	Type 17	8X3400-B	2.5 K
Coarse Thread	#8 x 3/4"	Zinc	#2 Square	Type 17	8X3400Q	11 K
Coarse Thread	#8 x 3/4"	Zinc	#2 Square	Type 17	8X3400Q-B	2.5 K
Coarse Thread	#10 x 3/4"	Zinc	Phillips	Type 17	10X340-B	2 K

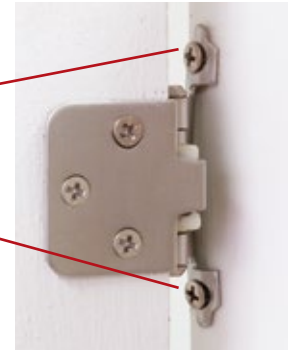
Hardware Attachment Screws

*NO BROKEN CARTONS. FULL CARTONS ONLY

Furniture Hardware



OVAL HEAD

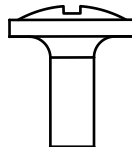


Description	Diameter x Length	Finish	Drive	Part #	Qty
Coarse Thread	#5 x 5/8"	PB	Phillips	5X586	30 K
Coarse Thread	#6 x 5/8"	AB	#2 Square	6X585Q	25 K

Compact Hinges



Type 17



PAN WASHER HEAD

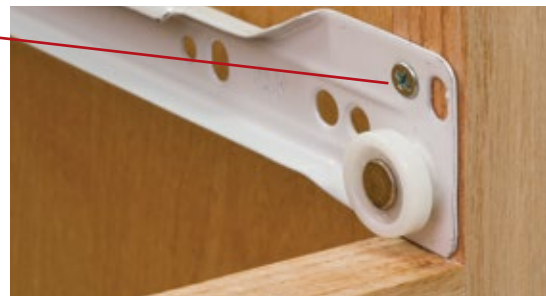
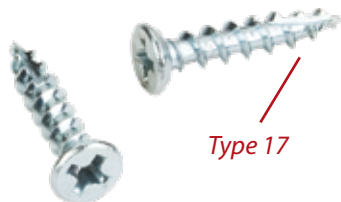


Description	Diameter x Length	Finish	Drive	Tip	Part #	Qty
Coarse Thread	#7 x 5/8"	Zinc	Combo	Type 17	7X0580WCQ	18 K
Coarse Thread	#7 x 5/8"	Zinc	Combo	Type 17	7X0580WCQ-2	2 K
Coarse Thread	#8 x 5/8"	Zinc	#2 Square	Type 17	8X058017WCQ-B	3.5 K
Coarse Thread	#8 x 3/4"	Zinc	#2 Square	Type 17	8X034017WCQ	11 K
Coarse Thread	#8 x 3/4"	Zinc	#2 Square	Type 17	8X034017WCQ-B	3 K
Coarse Thread	#8 x 1-1/4"	Clear Brown Wax	#2 Square	-	8X114917WCQ	6 K
Coarse Thread	#8 x 2"	Clear Brown Wax	#2 Square	-	8X200917WCQ	3.5 K
Coarse Thread	#8 x 2-1/2"	Clear Brown Wax	#2 Square	-	8X212917WCQ	2.5 K
Coarse Thread	#9 x 3"	Clear Brown Wax	#2 Square	-	9X300917WCQ	2 K

Hardware Attachment Screws

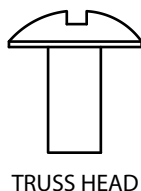
*NO BROKEN CARTONS. FULL CARTONS ONLY

Epoxy Slides



Description	Diameter x Length	Finish	Drive	Tip	Part #	Qty
Coarse Thread	#6 x 1/2"	Zinc	Phillips	-	6U121	25 K
Coarse Thread	#6 x 1/2"	Zinc	Phillips	-	6U121-B	6 K
Coarse Thread	#6 x 5/8"	Zinc	Phillips	-	6U581	20 K
Coarse Thread	#6 x 5/8"	Zinc	Phillips	-	6U581-B	6 K
Coarse Thread	#6 x 5/8"	Zinc	#1 Square	Type 17	6U581Q-B	6 K
Coarse Thread	#6 x 3/4"	Zinc	Phillips	Type 17	6X340	20 K
Coarse Thread	#6 x 3/4"	Zinc	Phillips	Type 17	6X340-B	5 K
Coarse Thread	#6 x 1/2"	Zinc	Phillips	-	6X1120Q	25 K
Coarse Thread	#8 x 7/16"	Zinc	Phillips	-	8X7160	20 K
Coarse Thread	#8 x 7/16"	Zinc	Phillips	-	8X7160-B	5 K

Ball Bearing Slides

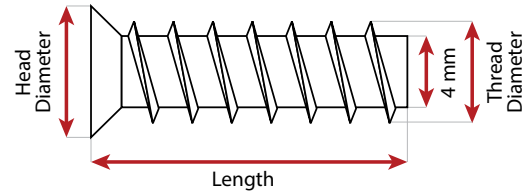
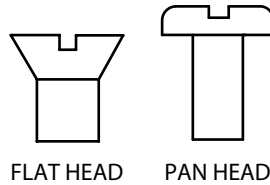


Description	Diameter x Length	Finish	Drive	Part #	Qty
Coarse Thread	#8 x 7/16"	Zinc	Phillips	8X7160-2	2 K
Course Thread	#8 x 7/16"	Zinc	Phillips	8x7160-500-K	.5 K
Coarse Thread	#8 x 7/16"	Zinc	Combo	8X7160CQ	20 K
Coarse Thread	#8 x 7/16"	Zinc	Combo	8X7160CQ-B	5 K
Coarse Thread	#8 x 7/16"	Black	Combo	8X7160CQB	20 K

Hardware Attachment Screws

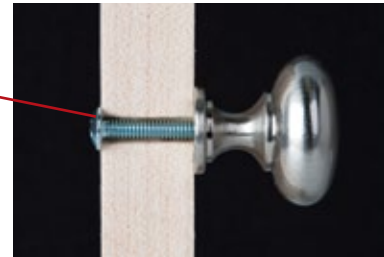
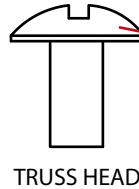
*NO BROKEN CARTONS. FULL CARTONS ONLY

European Drawer Slides



Description	Thread Diameter	Head Diameter x Length	Finish	Drive	Part #	Qty
Flat Head Euro	6.3 mm	7 mm x 9 mm	Nickel	Pozi	6021-B	4.5 K
Flat Head Euro	6.3 mm	7 mm x 10.5 mm	Nickel	Pozi	6041-B	4.5 K
Flat Head Euro	6.3 mm	7 mm x 10.5 mm	Nickel	#2 Square	6041Q-B	4.5 K
Flat Head Euro	6.3 mm	7 mm x 11.5 mm	Nickel	Pozi	6051-B	4 K
Flat Head Euro	6.3 mm	7 mm x 13 mm	Nickel	Pozi	6061-B	3.5 K
Flat Head Euro	6.3 mm	7 mm x 13 mm	Nickel	#2 Square	6061Q-B	3.5 K
Flat Head Euro	6.3 mm	7 mm x 14.5 mm	Nickel	Pozi	6065-B	2.5 K
Flat Head Euro	6.3 mm	7.5 mm x 10 mm	Nickel	Phillips	7031-B	4 K
Flat Head Euro	6.3 mm	7.5 mm x 13 mm	Nickel	Phillips	7061-B	3 K
Pan Head Euro	6.3 mm	9 mm x 13.2 mm	Nickel	Phillips	1005194-B	2.5 K

Knobs & Pulls



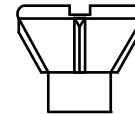
Description	Diameter x Length	Finish	Drive	Part #	Qty
Machine	8-32 x 5/8"	Zinc	Phillips	32X0580-B	2.5 K
Machine	8-32 x 3/4"	Zinc	Combo	32X0340-B	1.5 K
Machine	8-32 x 7/8"	Zinc	Combo	32X0780-B	2.5 K
Machine	8-32 x 1"	Zinc	Combo	32X1001-B	1.5 K
Machine	8-32 x 1-1/8"	Zinc	Combo	32X1181-B	1 K
Machine	8-32 x 1-1/4"	Zinc	Combo	32X1141-B	1 K
Machine	8-32 x 1-3/8"	Zinc	Phillips	32X1381-B	1 K
Machine	8-32 x 1-1/2"	Zinc	Combo	32X1121-B	1 K
Machine	8-32 x 1-5/8"	Zinc	Combo	32X1581-B	1 K
Machine	8-32 x 1-3/4"	Zinc	Combo	32X1341-B	1 K
Machine	8-32 x 1-7/8"	Zinc	Combo	32X1781-B	1 K
Break Away Machine	8-32 x 1-3/4"	Zinc	Combo	32BREAK	4 K
Break Away Machine	8-32 x 1-3/4"	Zinc	Combo	32BREAK-B	1 K
Break Away Machine	M4 x 45 mm	Zinc	Combo	M4BREAK	4 K

Cabinet Assembly Screws

*NO BROKEN CARTONS. FULL CARTONS ONLY

Screws & Fasteners

Flat Head with Nib



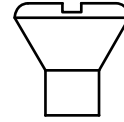
NIB HEAD

Description	Diameter x Length	Finish	Drive	Tip	Part #	Qty
Coarse Thread	#8 x 1"	Clear Brown Wax	Phillips	Type 17	8X100917	10 K
Coarse Thread	#8 x 1"	Clear Brown Wax	#2 Square	Type 17	8X100917Q	10 K
Coarse Thread	#8 x 1"	Zinc	Combo	Type 17	8X1000	10 K
Coarse Thread	#8 x 1"	Zinc	Combo	Type 17	8X1000-2	2 K
Coarse Thread	#8 x 1-1/8"	Zinc	Combo	Type 17	8X1180	8 K
Coarse Thread	#8 x 1-1/4"	Clear Brown Wax	Phillips	Type 17	8X114917	8 K
Coarse Thread	#8 x 1-1/4"	Clear Brown Wax	#2 Square	Type 17	8X114917Q	8 K
Coarse Thread	#8 x 1-1/4"	Clear Brown Wax	#2 Square	Type 17	8X114917Q-2	2 K
Coarse Thread	#8 x 1-1/4"	Zinc	Combo	Type 17	8X1140	8 K
Coarse Thread	#8 x 1-1/4"	Zinc	Combo	Type 17	8X1140-2	2 K
Coarse Thread	#8 x 1-1/2"	Clear Brown Wax	Phillips	Type 17	8X112917	6 K
Coarse Thread	#8 x 1-1/2"	Clear Brown Wax	#2 Square	Type 17	8X112917Q	6 K
Coarse Thread	#8 x 1-1/2"	Zinc	Combo	Type 17	8X1120	6 K
Coarse Thread	#8 x 1-5/8"	Clear Brown Wax	Phillips	Type 17	8X158917	5 K
Coarse Thread	#8 x 1-5/8"	Clear Brown Wax	#2 Square	Type 17	8X158917Q	5 K
Coarse Thread	#8 x 1-5/8"	Zinc	Combo	Type 17	8X1580	5 K
Coarse Thread	#8 x 1-3/4"	Clear Brown Wax	#2 Square	Type 17	8X134917Q	5 K
Coarse Thread	#8 x 1-3/4"	Zinc	Combo	Type 17	8X1340	5 K
Coarse Thread	#8 x 2"	Clear Brown Wax	Phillips	Type 17	8X200917	4 K
Coarse Thread	#8 x 2"	Clear Brown Wax	#2 Square	Type 17	8X200917Q	4 K
Coarse Thread	#8 x 2"	Zinc	Combo	Type 17	8X2000	4.3 K
Coarse Thread	#9 x 2-1/4"	Clear Brown Wax	#2 Square	Type 17	9X214917Q	2.5 K
Coarse Thread	#9 x 2-1/2"	Clear Brown Wax	#2 Square	Type 17	9X212917Q	2.5 K
Coarse Thread	#9 x 2-1/2"	Zinc	Combo	Type 17	9X2120	2.5 K
Coarse Thread	#9 x 3"	Clear Brown Wax	Phillips	Type 17	9X300917	2.3 K
Coarse Thread	#9 x 3"	Clear Brown Wax	#2 Square	Type 17	9X300917Q	2.3 K
Coarse Thread	#9 x 3"	Zinc	Combo	Type 17	9X3000	2.3 K

Cabinet Assembly/Installation Screws

*NO BROKEN CARTONS. FULL CARTONS ONLY

Trim Head Finishing



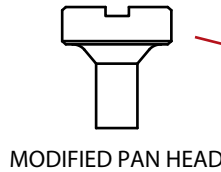
TRIM HEAD

Description	Diameter x Length	Finish	Drive	Tip	Part #	Qty
Coarse Thread	#6 x 1-5/8"	Black Plated	#1 Square	-	6X158	5 K
Coarse Thread	#6 x 2-1/4"	Black Plated	#1 Square	-	6X214	5 K

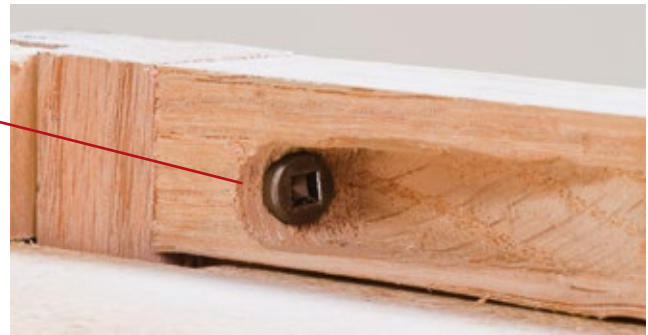
Pocket Hole/Face Frame



Type 17

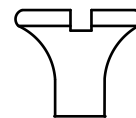


MODIFIED PAN HEAD



Description	Diameter x Length	Finish	Drive	Tip	Part #	Qty
Coarse Thread	#6 x 1-1/4"	Clear Brown Wax	#2 Square	Type 17	6X1141	8 K
Coarse Thread	#7 x 1-1/2"	Clear Brown Wax	#2 Square	Type 17	7X11504	7 K
Fine Thread	#6 x 1-1/4"	Clear Brown Wax	#2 Square	Type 17	6X1140	8 K
Fine Thread	#6 x 1-1/2"	Clear Brown Wax	#2 Square	Type 17	6X1120	7 K

Bugle Head Drywall



BUGLE HEAD

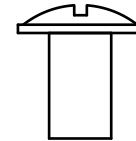
Description	Diameter x Length	Finish	Drive	Tip	Part #	Qty
Coarse Thread	#6 x 1"	Black Plated	Phillips	-	6110BUG	10 K
Coarse Thread	#6 x 1-1/4"	Black Plated	Phillips	-	6114BUG	8 K
Coarse Thread	#6 x 1-5/8"	Black Plated	Phillips	-	6158BUG	5 K
Coarse Thread	#6 x 2"	Black Plated	Phillips	-	6200BUG	4.5 K
Coarse Thread	#8 x 2-1/2"	Black Plated	Phillips	-	8200BUG	2.5 K
Coarse Thread	#8 x 3"	Black Plated	Phillips	-	8300BUG	2.3 K
Coarse Thread	#8 x 3"	Zinc	#2 Square	-	8X300	2.3 K

Cabinet Installation Screws

*NO BROKEN CARTONS. FULL CARTONS ONLY

Screws & Fasteners

Standard Washer Head



WASHER HEAD

Description	Diameter x Length	Finish	Drive	Tip	Part #	Qty
Coarse Thread	#8 x 1/2"	Black	#2 Square	Type 17	8X012017QB	15 K
Coarse Thread	#8 x 3/4"	Black	#2 Square	Type 17	8X034017QB	11 K
Coarse Thread	#8 x 1-1/8"	Zinc	Combo	Type 17	8X118017WCH	5 K
Coarse Thread	#8 x 1-1/4"	Zinc	Combo	Type 17	8X114017WCH	4 K
Coarse Thread	#8 x 1-1/4"	Black	#2 Square	Type 17	8X114017QB	6 K
Coarse Thread	#8 x 1-1/2"	Zinc	Combo	Type 17	8X112017WCH	5.5K
Coarse Thread	#8 x 2"	Zinc	Combo	Type 17	8X200017WCH	3.5K
Coarse Thread	#8 x 2-1/2"	Zinc	Combo	Type 17	8X25017WCH	2.5 K
Coarse Thread	#8 x 2-1/2"	Black	#2 Square	Type 17	8X25017QB	2.5 K
Coarse Thread	#8 x 3"	Zinc	Combo	Type 17	8X3000W	2 K
Coarse Thread	#8 x 3"	White	Combo	Type 17	8X3000WH	2 K
Coarse Thread	#8 x 3"	Black	#2 Square	Type 17	8X300017QB	2 K
Coarse Thread	#10 x 3"	Clear Brown Wax	Combo	Type 17	10X3000W	1.6 K
Coarse Thread	#10 x 3"	White	Combo	Type 17	10X3000WH	1.6 K

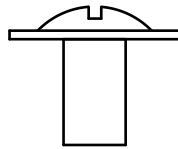
Cabinet Installation Screws

*NO BROKEN CARTONS. FULL CARTONS ONLY

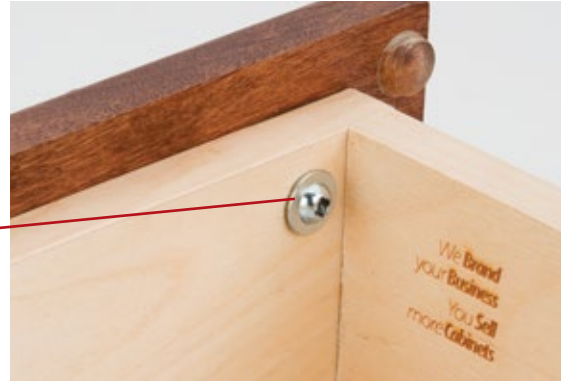
Drawer Front Screws



Type 17



LARGE WASHER HEAD

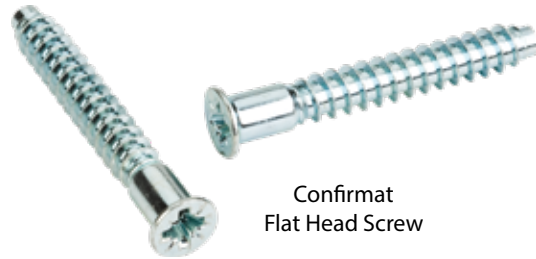


Description	Diameter x Length	Finish	Drive	Tip	Part #	Qty
Coarse Thread	#8 x 7/8"	Zinc	Phillips	-	8X1078W	6 K
Coarse Thread	#8 x 1"	Zinc	Phillips	-	8X1000W	7 K
Coarse Thread	#8 x 1"	Zinc	#2 Square	Type 17	8X100017WQ	7 K
Coarse Thread	#8 x 1-1/8"	Zinc	Phillips	-	8X1180W	5 K
Coarse Thread	#8 x 1-1/8"	Zinc	#2 Square	Type 17	8X118017WQ	5 K
Coarse Thread	#8 x 1-1/8"	Zinc	#2 Square	Type 17	8X118017WQ-2	2 K
Coarse Thread	#8 x 1-1/4"	Zinc	Phillips	-	8X1140W	5 K
Coarse Thread	#8 x 1-1/4"	Zinc	#2 Square	Type 17	8X114017WQ	5 K

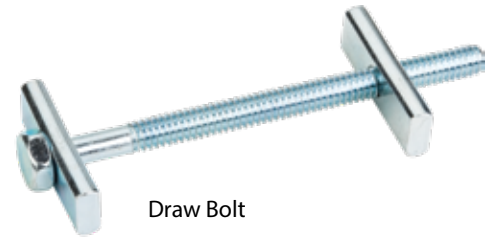
Specialty Screws

*NO BROKEN CARTONS. FULL CARTONS ONLY

Specialty Screws



Confirmat
Flat Head Screw



Draw Bolt



Connector Bolt



Hollow Wall Anchor



Countersunk
Finishing Washer

Description	Diameter x Length	Finish	Drive	Tip	Part #	Qty
Confirmat Flat Head	7 mm x 50 mm	Zinc	Pozi	Blunt	HR7X50-B-K	.5 K
Confirmat Flat Head	7 mm x 50 mm	Zinc	Pozi	Pointed	HR7X50P-B-K	.5 K
Draw Bolt	7/16" Hex x 3-5/8"	Zinc	Hex	-	322	.45 K
Connector Bolt	5 mm x 35-45 mm	Nickel	Pozi	-	565NP35-B	.6 K
Wall Anchor	#6-#8 x 3/8"-5/8"	Zinc	Phillips	-	8X158ZN-K	.5 K
Countersunk Finishing Washer	For #6-#7 Screw	Nickel	-	-	8FW-B	7.5 K
Countersunk Finishing Washer	For #8-#9 Screw	Nickel	-	-	10FW-B	6 K
Connector Bolt	8 mm x 31-41 mm	Nickel	Pozi	-	555NP31-B	.4 K

Shelf Supports Angled

5 mm Pin Diameter

- » Solid steel construction
- » 3/4" long arm
- » Available in cartons of 1000 pcs



	<i>Standard</i>	<i>With 1/8" Hole</i>	<i>With Brown Sleeve</i>	<i>With White Sleeve</i>	<i>With Clear Sleeve</i>	<i>With Diamond Hole</i>
Antique Brass	1706AB	1707AB	1708AB	—	—	—
Antique Copper	—	1707AC	1708AC	—	—	1710AC
Black	—	1707BLK	—	—	—	—
Bright Nickel	1706BN	1707BN	1708BN	1708WBN	1708CBN	1710BN
Polished Brass	1706PB	1707PB	—	—	—	—
	1000 pcs/ctn*	1000 pcs/ctn*	1000 pcs/ctn*	1000 pcs/ctn*	1000 pcs/ctn*	1000 pcs/ctn*

**NO BROKEN CARTONS. FULL CARTONS ONLY*

1/4" Pin Diameter

- » Solid steel construction
- » 3/4" long arm
- » Available in cartons of 1000 pcs



	<i>Standard</i>	<i>With 1/8" Hole</i>	<i>With Brown Sleeve</i>	<i>With Brown Sleeve & 7/8" Long Arm</i>
Antique Brass	1609AB	1610AB	—	—
Antique Copper	—	1610AC	1611AC	1915AC
Bright Nickel	1609BN	1610BN	—	—
Polished Brass	—	1610PB	—	—
	1000 pcs/ctn*	1000 pcs/ctn*	1000 pcs/ctn*	1000 pcs/ctn*

**NO BROKEN CARTONS. FULL CARTONS ONLY*

3 mm Pin Diameter



Spoon

Bright Nickel	1103BN
---------------	--------

1000 pcs/box*
10,000 pcs/ctn

**NO BROKEN BOXES. FULL BOXES ONLY*

- » Solid steel construction
- » Available in boxes of 1000 pcs and 10,000 pcs master carton

5 mm Pin Diameter



Spoon

**Spoon with
Anti-Slide Barb**

**Grommet
5.5 mm drill Ø**

Antique Brass	1306AB	—	1283AB
Antique Copper	1306AC	—	—
Black	1306BLK	—	1283BLK
Bright Nickel	1306BN	1306BN-2	1283BN
Polished Brass	1306PB	—	1283PB

1000 pcs/box* 1000 pcs/box* 1000 pcs/box*
6000 pcs/ctn 6000 pcs/ctn 5000 pcs/ctn

**NO BROKEN BOXES. FULL BOXES ONLY*

- » Solid steel construction
- » Anti-slide barb cuts into shelf and prevents shelf movement (1306BN-2)
- » Supports available in boxes of 1000 pcs and 6000 pcs master carton
- » Grommets available in boxes of 1000 pcs and 5000 pcs master carton

1/4" Pin Diameter



Spoon

**Grommet
7.5 mm drill Ø**

Antique Brass	1206AB	1284AB
Antique Copper	1206AC	—
Black	1206BLK	1284BLK
Bright Nickel	1206BN	1284BN
Polished Brass	1206PB	1284PB

1000 pcs/box* 1000 pcs/box*
6000 pcs/ctn 5000 pcs/ctn

**NO BROKEN BOXES. FULL BOXES ONLY*

- » Solid steel construction
- » Supports available in boxes of 1000 pcs and 6000 pcs master carton
- » Grommets available in boxes of 1000 pcs and 5000 pcs master carton

Shelf Supports

Standards & Clips



- » Single track standards fit in 5/8" wide groove
- » Standards quickly install using nails or screws (not included)
- » Available in a variety of sizes which can also be cut to length
- » Clips snap into place in 3/8" increments for a secure fit and can be easily removed and reattached
- » #5 or #6 flat head screw recommended for installation

	<i>Standard Clip Builder Pack</i>	<i>Standard Clip Retail Pack</i>	<i>48" Standard</i>	<i>60" Standard</i>	<i>72" Standard</i>
Brass	—	1460BR-R	—	—	—
Brown	1460AC	1460AC-R	TRK01-48BRN	TRK01-60BRN	TRK01-72BRN
Nickel/Zinc	1460NI	1460ZN-R	TRK01-48ZN	TRK01-60ZN	TRK01-72ZN
White	1460WH	1460WH-R	TRK01-48WH	TRK01-60WH	TRK01-72WH
	1000 pcs/ctn*	20 pcs/pack 100 pks/ctn*	20 pcs/ctn*	20 pcs/ctn*	20 pcs/ctn*

**NO BROKEN CARTONS. FULL CARTONS ONLY*

Zinc Support - 5 mm Pin



*Support with 5 mm
Shelf Hold Pin*

Zinc	1545ZN
	1000 pcs/box* 5000 pcs/ctn

**NO BROKEN BOXES. FULL BOXES ONLY*

- » Solid zinc die cast construction
- » Available in 1000 pcs boxes and 5000 pcs master carton

Plastic Supports - 5 mm Pin



Support

Almond	1438ALM-K
Brown	1438BRN-K
Clear	1438CL-K
White	1438WH-K

100 pcs/bag*
1000 pcs/box

**NO BROKEN BAGS. FULL BAGS ONLY*

- » Synthetic injection molded plastic with steel pin
- » Available in 100 pcs bags and 1000 pcs boxes

Shelf Supports

5 mm Pins



	16 mm Duplo	24 mm Straight	30 mm Straight	45 mm Straight
Antique Copper	—	—	—	—
Bright Nickel	—	1402BN	418BN	1400BN
Zinc	1401ZN	1402ZN	—	—
	1000 pcs/ctn*	1000 pcs/ctn*	1000 pcs/ctn*	1000 pcs/ctn*

*NO BROKEN CARTONS. FULL CARTONS ONLY

- » Solid steel construction
- » Available in cartons of 1000 pcs

Plastic Shelf Locks



- » Highly durable plastic construction
- » Available in a variety of pin diameters and shelf thickness combinations

	5 mm Pin 1/2" Shelf	5 mm Pin 5/8" Shelf	5 mm Pin 3/4" Shelf	1/4" Pin 5/8" Shelf	1/4" Pin 3/4" Shelf
Clear	7703CL	7704CL	7705CL	8704CL	8705CL
	1750 pcs/box* 3500 pcs/ctn	2000 pcs/box* 4000 pcs/ctn	2500 pcs/box* 5000 pcs/ctn	1750 pcs/box* 3500 pcs/ctn	1750 pcs/box* 3500 pcs/ctn

*NO BROKEN BOXES. FULL BOXES ONLY

Heavy-Duty Plastic Shelf Lock







	5 mm Double Pin 3/4" or 1" Shelf
Clear	7706CL
	2000 pcs/ctn*

*NO BROKEN CARTONS. FULL CARTONS ONLY

- » 500 lb. weight rating per set of 4
- » Highly durable plastic construction
- » Fits 3/4" or 1" shelf thickness
- » Two pins are 32 mm spaced
- » ANSI/BHMA A156.9-2003 Grade 1

Door Bumpers

		Height	Diameter	Material	Color
	HR7438-K 320 pcs/sheet 20,000 pcs/ctn	3/32"	3/8"	Rubber	Black
	85303CL-K 200 pcs/sheet 5000 pcs/ctn	5 mm	1/2"	Transparent Polyurethane	Clear
	85101CL-K 200 pcs/sheet 5000 pcs/ctn	3.5 mm	7/16"	Transparent Polyurethane	Clear
	85202CL-K 450 pcs/sheet 5400 pcs/ctn	2.2 mm	5/16"	Transparent Polyurethane	Clear



- » Quick and versatile installation using adhesive backing
- » Can be used on a wide variety of doors and drawers
- » 85303CL specially designed for cabinet hinges; soft-durometer two-stage impact resistance greatly reduces noise
- » Sold by the sheet

Locks

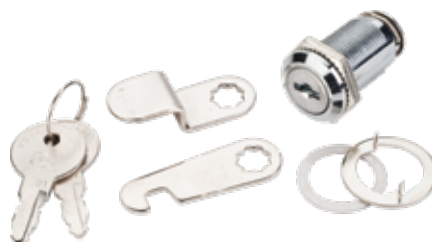


7/8" Zinc Die Cast Drawer Lock

Brass Keyed Alike	1060BR
Chrome Keyed Different	1060CH

1 pc/bag
250 pcs/ctn

- » Standard 7/8" (22 mm) length with straight cam
- » Screws mount on 35 mm center
- » 180° angle of rotation
- » 2 keys included per bag
- » Master keying not available



Zinc Die Cast Drawer Lock

	1-1/8"	1-1/2"
Chrome Keyed Alike	68639CH	78739CH
Chrome Keyed Different	68639CHKD	78739CHKD

1 pc/bag
200 pcs/ctn

- » Fork cam and 3/8" offset cam for flush applications
- » Body mounts with hex nut and prong washer into 3/4" (19 mm) diameter hole
- » 90° angle of rotation
- » 2 keys included per bag
- » For plastic, metal, or wood applications
- » Master keying not available



Strike Plate for Cam Locks

Bright Nickel	7000201BN
---------------	-----------

Recommended screw: #8 washer head

500 pcs/ctn

- » Long-lasting steel construction
- » Screw-on mount

Catches

Magnetic Catches



*Standard-Duty
Polybagged*



*Heavy-Duty
Polybagged*

*Heavy-Duty
Retail Pack*

*Heavy-Duty
Bulk Pack*

	<i>Standard-Duty Polybagged</i>	<i>Heavy-Duty Polybagged</i>	<i>Heavy-Duty Retail Pack</i>	<i>Heavy-Duty Bulk Pack</i>
Brown/Bronze	50635	50632	50632-R	50636
White/Polished Brass	—	50633	—	50634
White/White	—	50639	—	—
White/Zinc	—	50631	50631-R	50630
Pack Contents	<i>1 strike plate, 1 catch, 1pc #5 x 5/8" flat head, 2pcs #6 x 3/4" pan head</i>	<i>1 strike plate, 1 catch, 1pc #5 x 5/8" flat head, 2pcs #6 x 3/4" pan head</i>	<i>1 strike plate, 1 catch, 1pc #5 x 5/8" flat head, 2pcs #6 x 3/4" pan head</i>	
	100 pks/box 1000 pks/master	100 pks/box 1000 pks/master	65 pks/box 520 pks/master	1000 catches 1000 strike plates 1000 flat head 2000 pan head



*Heavy-Duty
Polybagged*

*Heavy-Duty
Retail Packed*



*Extra Heavy-Duty
Polybagged*

*Extra Heavy-Duty
Bulk Pack*

	<i>Heavy-Duty Polybagged</i>	<i>Heavy-Duty Retail Packed</i>	<i>Extra Heavy-Duty Polybagged</i>	<i>Extra Heavy-Duty Bulk Pack</i>
Brown/Bronze	50622	50622-R	50652	—
White/Polished Brass	50623	—	—	—
White/Zinc	50621	50621-R	50651	50650
Pack Contents	<i>2 strike plates, 1 catch, 2pcs #5 x 5/8" flat head, 2pcs #6 x 3/4" pan head</i>	<i>2 strike plates, 1 catch, 2pcs #5 x 5/8" flat head, 2pcs #6 x 3/4" pan head</i>	<i>1 strike plate, 1 catch, 1pc #5 x 5/8" flat head, 2pcs #6 x 3/4" pan head</i>	
	100 pks/box 600 pks/master	40 pks/box 320 pks/master	50 pks/box 500 pks/master	500 catches 500 strike plates 500 flat head 1000 pan head

Catches

Roller Catches



Retail Packed

Dark Brushed Antique Copper	RC01-DBAC
-----------------------------	-----------

Polished Brass	RC01-PB
----------------	---------

Zinc	RC01-ZN
------	---------

Pack Contents	1 catch, 1 strike, 4 screws
	400 pks/ctn

- » Double roller catch with durable nylon rollers
- » Roller measures 33 mm wide x 28 mm deep x 14 mm tall
- » Mounting holes are 24 mm center-to-center
- » 4 pcs pan head wood screws included
- » Bagged with catch, strike, and screws with UPC label for retail sale

Elbow Catches



Retail Packed

Dark Brushed Antique Copper	EC01-DBAC
-----------------------------	-----------

Polished Brass	EC01-PB
----------------	---------

Zinc	EC01-ZN
------	---------

Pack Contents	1 catch, 1 strike, 4 screws
	125 pks/box
	500 pks/master

- » Steel construction
- » Catch measures 28 mm wide x 26 mm tall
- » Strike plate measures 27 mm long x 12 mm wide
- » Catch mounting holes are 17 mm center-to-center
- » 4 pcs pan head wood screws included
- » Bagged with catch, strike, and screws with UPC label for retail sale

Magnetic Touch Latches



Black	506L2
White	506L1
Recommended screw:	#6 x 3/4" pan head
	600 pcs/ctn

Overall Height	18 mm
Base Length	33 mm
Base Width	28 mm
Extended Overall Length	51 mm
Retracted Overall Length	41 mm
Hole Spacing	18 mm

Rectangular Strike Plates



Bronze	506S2
White	506S4
Zinc	506S1
Recommended screw:	#5 x 5/8" flat head
	3000 pcs/master

Length	1-3/16"
Width	7/8"

Brackets

Angled Corner Braces



**1-3/8" x 1-3/8"
x 3/4"**

1" x 1" x 1/2"

**1-1/2" x 1-1/2"
x 1/2"**

2" x 2" x 5/8"

**2-1/2" x 2-1/2"
x 5/8"**

3" x 3" x 3/4"

4" x 4" x 3/4"

Hole Center-to-Center	3/4"	1"	1-9/16"	1-13/16"	2-13/16"	—	—
Antique Copper	1965AC	—	—	—	—	—	—
Bright Nickel	1965BN	—	—	—	—	—	—
Zinc	—	9211	9212	9213	9214	9215	9217
Recommended screw:	#8 flat head	#6 or #8 flat head	#6 or #8 flat head	#6 or #8 flat head	#6 or #8 flat head	#6 or #8 flat head	#6 or #8 flat head
	1000 pcs/ctn	500 pcs/ctn	500 pcs/ctn	500 pcs/ctn	500 pcs/ctn	250 pcs/ctn	250 pcs/ctn



3/4" x 3/4" x 2"

Hole Center-to-Center	32 mm
Black Plated	9013
Bright Nickel	9015
Plain Steel	9011
Zinc	9012
Recommended screw:	#6 pan head

1000 pcs/ctn

Brackets

Flat Mending Plates



2" x 5/8"



2-3/16" x 5/8"



4" x 7/8"



2" x 1-9/16"

Hole Center-to-Center	32 mm	32 mm staggered 2 sets	2-3/8" staggered 2 sets	32 mm horizontal slotted 32 mm vertical slotted
Bright Nickel	—	—	—	9005BN
Zinc	9313	9314	9317	—
Recommended screw:	#6 or #8 flat head	#6 or #8 flat head	#6 or #8 flat head	#5 pan head
	500 pcs/ctn	500 pcs/ctn	500 pcs/ctn	500 pcs/ctn

Drawer Adjustment Brackets



**"Figure 8"
Drawer Front
Connecting
Plate with
Slotted
Adjustment**



**"Figure 8"
Drawer Front
Connecting
Plate**



**90° Drawer
Bracket**



**90° Drawer Bracket
Cover (Plastic)**

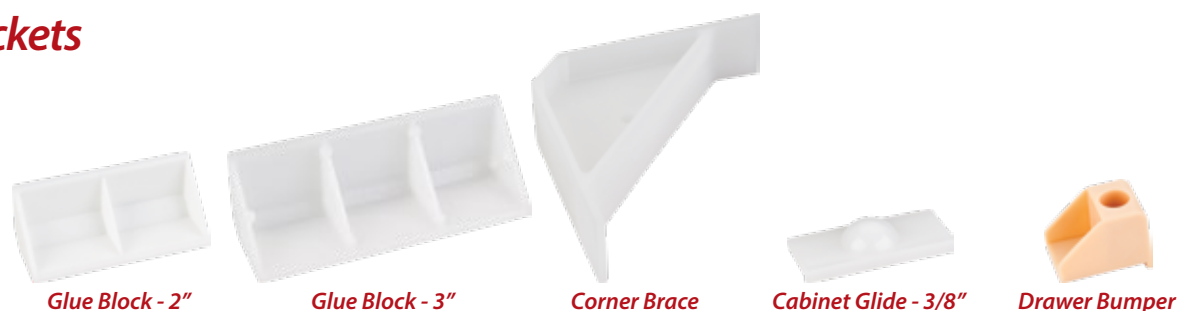


Euro Bracket

Dimensions	1-11/16"	1-5/16"	2" x 1" x 5/8"	2-1/8" x 1" x 1/2"	42 mm x 47 mm x 23 mm
Hole Center-to-Center	15/16"	5/8"	11/16" horizontal slotted 11/16" vertical slotted		32 mm center-to-center with 16 mm spacing
Beige	—	—	—	1996	—
Bright Nickel	103559BN	103841BN	9453007	—	—
Zinc	—	—	—	—	430ZN
Recommended screw:	#6 flat head	#6 flat head	#6 undercut head		#6 or #8 flat head or Euro screw
	1000 pcs/ctn	1000 pcs/ctn	1000 pcs/ctn	2000 pcs/ctn	1000 pcs/ctn

Brackets

Plastic Brackets



	Glue Block - 2"	Glue Block - 3"	Corner Brace	Cabinet Glide - 3/8"	Drawer Bumper
Dimensions	2" Overall Length 1" Outside Width 5/16" Inside Width	3" Overall Length 1-3/8" Outside Width 1/4" Inside Width	2-5/8" x 2-5/8" 3/4" Height Without Tabs	1-3/4" x 3/4" 3/8" Height	11/16" (18 mm)
Beige	T480-00	—	—	—	B-400-02
Natural	—	—	HR410	GLIDE-02	—
White	T480-02	T475	—	—	—
Recommended screw:					#6 pan head
	5000 pcs/ctn	1800 pcs/ctn	1000 pcs/ctn	5000 pcs/ctn	100 pcs/pk 10 pks/ctn

Mirror Hanging & Glass Insert Brackets



	Mirror Hanging Bracket	Glass Retainer Clip
Dimensions	Clip - 5/8" x 5/8" Bracket - 1-1/8" x 3/8" Mounting Holes are 1/2" Center-to-Center	1-1/8" Overall Height 3/4" Adjustment Screw Included
Antique Copper	—	9454003
Clear	—	—
Zinc	MH1625	—
Recommended screw:	#6 pan head	#6 pan head
	5000 pcs/ctn	2500 pcs/ctn

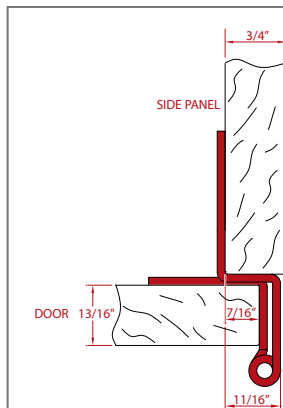
Commercial Hardware

Find the hardware products you need for commercial jobs including medical offices, schools, banks, and restaurants. Our products include hinges and slides, standards and brackets, shelf supports, locks, and more.



Institutional Hinges

5 Knuckle Overlay Hinges



Side Panel	3/4" (19 mm)
Door Thickness	13/16" (20.6 mm)
Hinge Overlay	23/32" (18.3 mm)
Door Overlay	15/32" (11.9 mm)
Reveal	9/32" (7.1 mm)
Material Thickness	0.095" (2.4 mm)
Opening Angle	270°

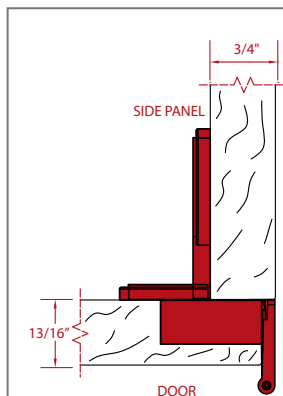
Bulk Pack

Almond Powder Coat	HR0076AL
Black Powder Coat	HR0076BLK
Dull Chrome (26D)	HR0076
Stainless Steel (304)	HR0076SS
White Powder Coat	HR0076WH
Recommended screw:	#8 flat head or Euro

108 pcs/box

- » Conforms to ANSI/BHMA Grade 1 requirements
- » Hospital tips, 2-3/4" overall height
- » Drilled knuckle inner diameter
- » 32 mm system hole pattern with 37 mm setback
- » Countersunk screw holes for recommended #8 flat head or Euro screws
- » Slotted screw holes for vertical and horizontal adjustment
- » Stainless steel #8 x 3/4" flathead screw available (8X347-2)

Single Pivot Hinge



Side Panel	3/4" (19 mm)
Door Thickness	3/4"-13/16" (19-21 mm)
Hinge Overlay	3/4" (19 mm)
Door Overlay	19/32" (15 mm)
Reveal	5/32" (4 mm)
Opening Angle	270°
Cup Bore	Ø 35 mm x 13 mm depth
Dowels	45 mm Centers x Ø 8 mm

Bulk Pack

Nickel	HR0086
Recommended screw:	#8 pan head

100 pcs/ctn

- » Solid zinc die cast construction
- » For full overlay applications—2 dimensional adjustment
- » Hinge and plate ship pre-assembled
- » 8 mm dowels preattached to cup
- » Integrated polymer catch with positive lock
- » Conforms to ANSI/BHMA Grade 1 requirements

Heavy-Duty Standards & Brackets

TRK05 Series



- » 1000 lb. per pair
- » Double-slot design
- » Steel with zinc plating or white powder coating
- » Adjustable in 1" increments
- » 1-1/4" x 1/2" x length (below)
- » ANSI/BHMA A156.9-2003



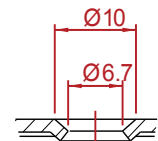
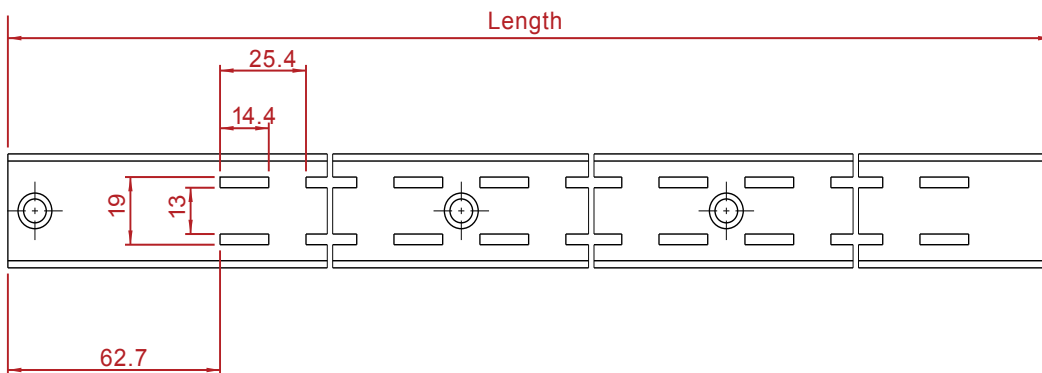
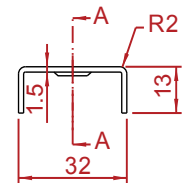
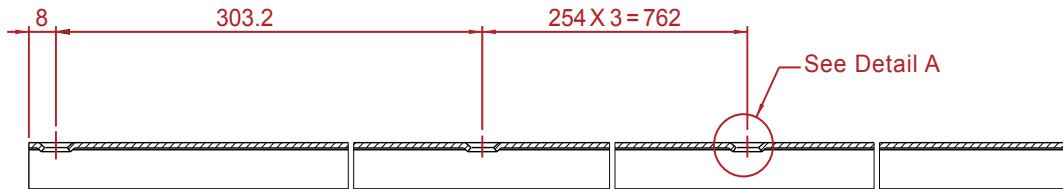
Heavy-Duty Standards & Brackets

Ordering

Length	Thickness	Zinc Track	White Track
24"	16-gauge	TRK05-24	TRK05-24WH
36"	16-gauge	TRK05-36	TRK05-36WH
48"	16-gauge	TRK05-48	TRK05-48WH
60"	16-gauge	TRK05-60	TRK05-60WH
72"	16-gauge	TRK05-72	TRK05-72WH
84"	16-gauge	TRK05-84	TRK05-84WH

10 pcs/ctn 10 pcs/ctn

Part No.	A
TRK05-24	24"
TRK05-36	36"
TRK05-48	48"
TRK05-60	60"
TRK05-72	72"
TRK05-84	84"



NOTE: Proper installation and mounting required. Tested to meet or exceed ANSI/BHMA performance standards. Weight limits are based on standards mounted on 16" centers utilizing all provided fastener holes. Mounting fasteners must individually provide at least 650 lb. tensile pullout and 900 lb. shear strength.

Heavy-Duty Standards & Brackets

TRK05 Series

Commercial
Hardware



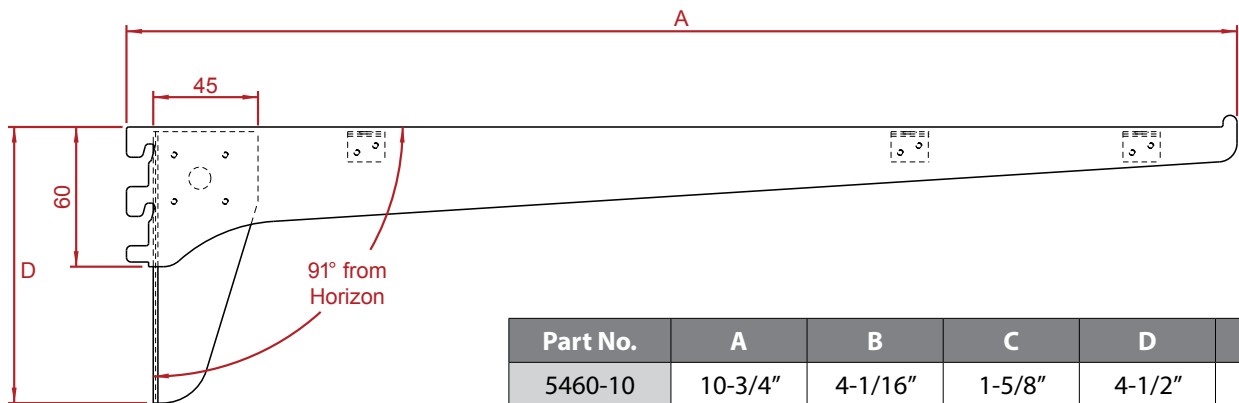
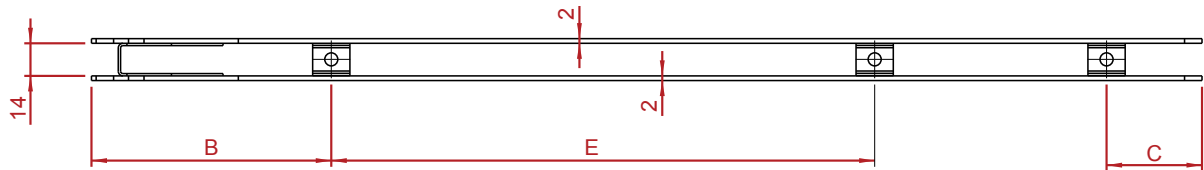
Ordering

Length	Thickness	Zinc Bracket	White Bracket
8"	16-gauge	5460-8	5460-8WH
10"	16-gauge	5460-10	5460-10WH
12"	16-gauge	5460-12	5460-12WH
14"	16-gauge	5460-14	5460-14WH
16"	16-gauge	5460-16	5460-16WH
18"	16-gauge	5460-18	5460-18WH
20"	16-gauge	5460-20	5460-20WH
22"	16-gauge	5460-22	5460-22WH
24"	16-gauge	5460-24	5460-24WH

10 pcs/ctn

10 pcs/ctn

- » 180 lb. per shelf (8"–14"), 210 lb. per shelf (16"–24")
- » Double-lug brackets provide strong weight-bearing support
- » Steel with zinc plating
- » ANSI/BHMA A156.9-2003



Part No.	A	B	C	D	E
5460-10	10-3/4"	4-1/16"	1-5/8"	4-1/2"	—
5460-12	12-3/4"	4-1/16"	1-5/8"	4-1/2"	—
5460-14	14-3/4"	4-1/16"	1-5/8"	4-1/2"	—
5460-16	16-3/4"	4-1/16"	1-5/8"	4-1/2"	—
5460-18	18-3/4"	4-1/16"	1-5/8"	4-1/2"	9-3/16"
5460-20	20-3/4"	4-1/16"	1-5/8"	4-1/2"	11-3/16"
5460-22	22-3/4"	4-1/16"	1-5/8"	4-1/2"	13-3/16"
5460-24	24-3/4"	4-1/16"	1-5/8"	4-1/2"	13-3/16"

NOTE: Proper installation and mounting required. Tested to meet or exceed ANSI/BHMA performance standards. Weight limits are based on standards mounted on 16" centers utilizing all provided fastener holes. Mounting fasteners must individually provide at least 650 lb. tensile pullout and 900 lb. shear strength.

Extra Heavy-Duty Standards & Brackets

TRK07 Series



- » 1800 lb. per pair
- » Single-slot design
- » Steel with zinc plating
- » Adjustable in 2" increments
- » Plastic lock secures bracket to track
- » 7/8" x 11/16" x length (below)
- » ANSI/BHMA A156.9-2003



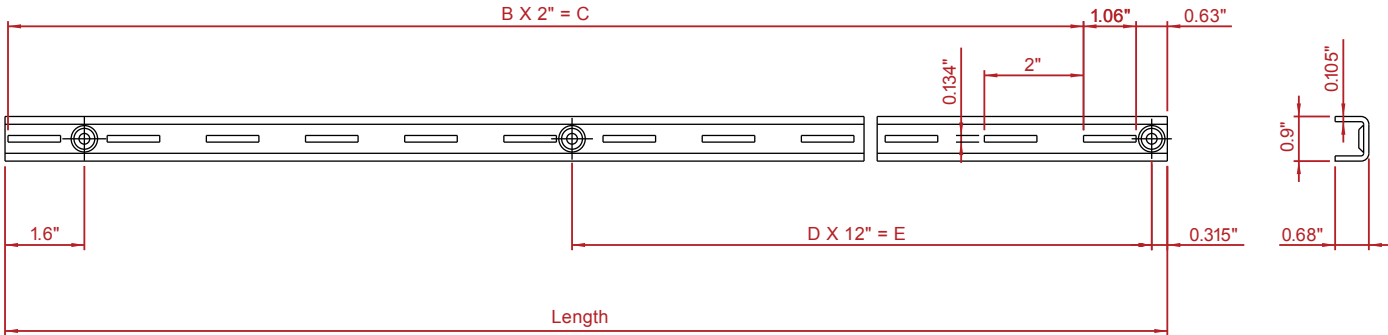
Ordering

Length	Thickness	Zinc Track
24"	12-gauge	TRK07-24
36"	12-gauge	TRK07-36
48"	12-gauge	TRK07-48
60"	12-gauge	TRK07-60
72"	12-gauge	TRK07-72
84"	12-gauge	TRK07-84

10 pcs/ctn

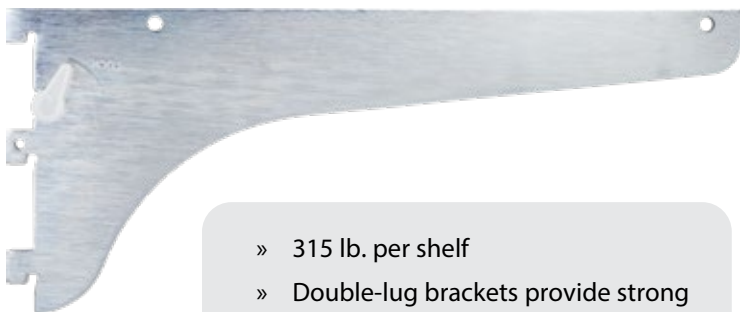
Extra Heavy-Duty Standards & Brackets

Part No.	A	B	C	D	E
TRK07-24	23.75"	11	22"	1	12"
TRK07-36	35.75"	17	34"	2	24"
TRK07-48	47.75"	23	46"	3	36"
TRK07-60	59.75"	29	58"	4	48"
TRK07-72	71.75"	35	70"	5	60"
TRK07-84	83.75"	41	82"	6	72"



NOTE: Proper installation and mounting required. Tested to meet or exceed ANSI/BHMA performance standards. Weight limits are based on standards mounted on 16" centers utilizing all provided fastener holes. Mounting fasteners must individually provide at least 650 lb. tensile pullout and 900 lb. shear strength.

TRK07 Series



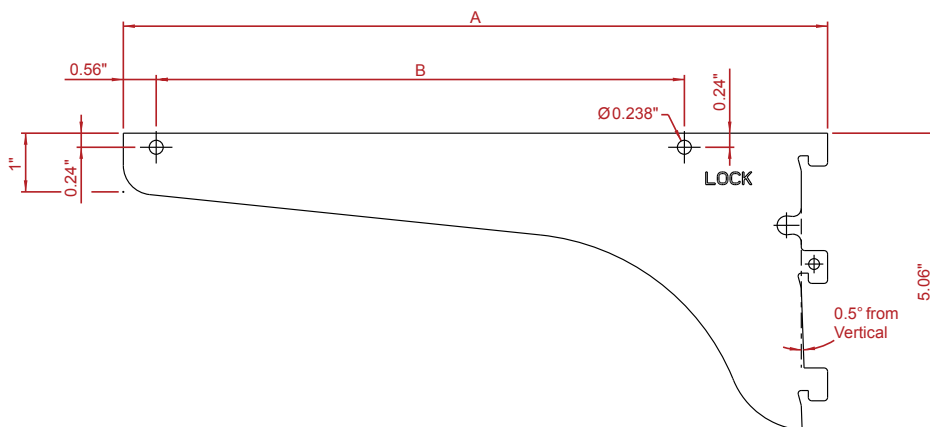
- » 315 lb. per shelf
- » Double-lug brackets provide strong weight-bearing support
- » Steel with zinc plating
- » ANSI/BHMA A156.9-2003

Ordering

Length	Thickness	Zinc Bracket
12"	12-gauge	7460-12
14"	12-gauge	7460-14
16"	12-gauge	7460-16
18"	12-gauge	7460-18
20"	12-gauge	7460-20
22"	12-gauge	7460-22
24"	12-gauge	7460-24

10 pcs/ctn

Part No.	A	B
7460-12	12"	9"
7460-14	14"	11"
7460-16	16"	13"
7460-18	18"	15"
7460-20	20"	17"
7460-22	22"	19"
7460-24	24"	21"

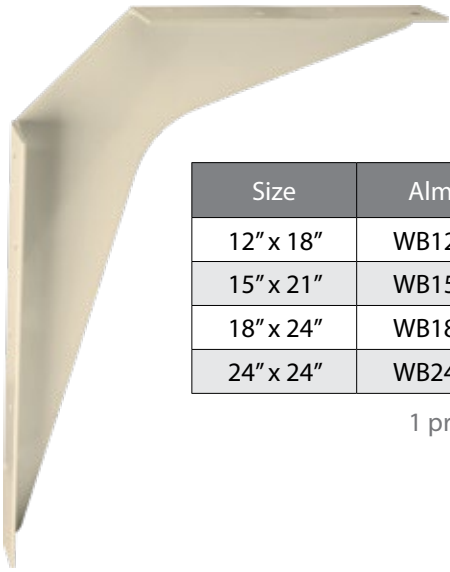


Center Rest	End Rest	Front Rest
		
7460-CR 1000 bags/ctn	7460-ER 1000 bags/ctn	7460-FR 1000 bags/ctn
Polybagged with one rest and one attachment screw.		

- » For use with 7460 Series Extra Heavy-Duty Standards
- » Works with any size 7460 series shelf bracket
- » Steel with zinc plating

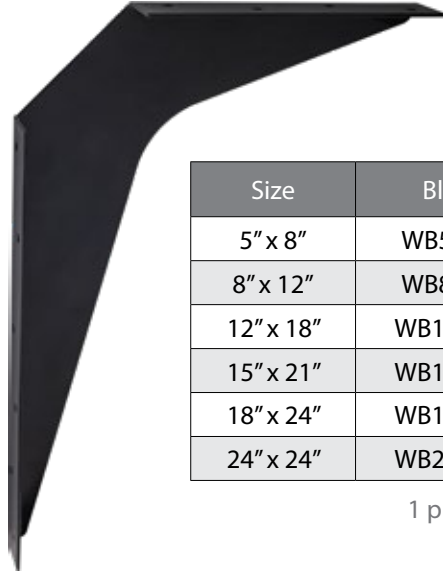
NOTE: Proper installation and mounting required. Tested to meet or exceed ANSI/BHMA performance standards. Weight limits are based on standards mounted on 16" centers utilizing all provided fastener holes. Mounting fasteners must individually provide at least 650 lb. tensile pullout and 900 lb. shear strength.

Work Station Brackets



Size	Almond
12" x 18"	WB12-ALD
15" x 21"	WB15-ALD
18" x 24"	WB18-ALD
24" x 24"	WB24-ALD

1 pr/ctn



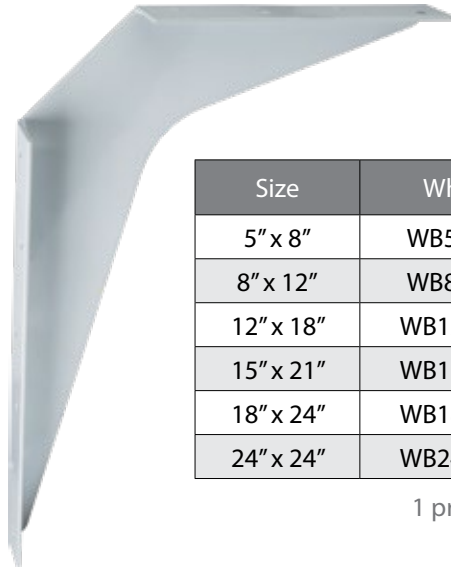
Size	Black
5" x 8"	WB5-BLK
8" x 12"	WB8-BLK
12" x 18"	WB12-BLK
15" x 21"	WB15-BLK
18" x 24"	WB18-BLK
24" x 24"	WB24-BLK

1 pr/ctn



Size	Primer
12" x 18"	WB12-PR
15" x 21"	WB15-PR
18" x 24"	WB18-PR
24" x 24"	WB24-PR

1 pr/ctn

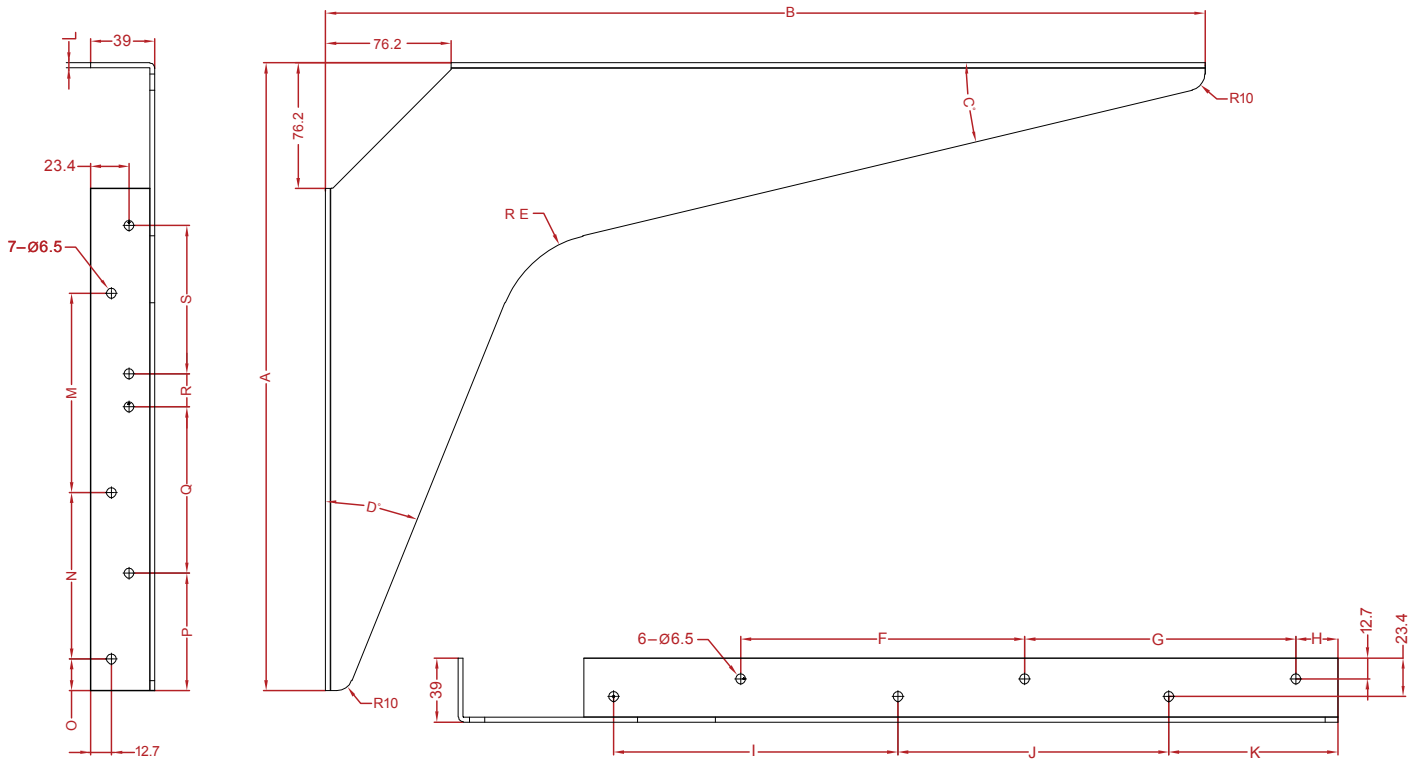


Size	White
5" x 8"	WB5-WH
8" x 12"	WB8-WH
12" x 18"	WB12-WH
15" x 21"	WB15-WH
18" x 24"	WB18-WH
24" x 24"	WB24-WH

1 pr/ctn

Recommended screw: #8 pan washer head

- » Rear cutout for cable management
- » Sold per pair, left and right
- » Reversible to accommodate two different countertop depths
- » WB12, WB15, WB18 & WB21 rated for 1000 lb. per pair load capacity
- » WB5 rated for 300 lb. per pair & WB8 rated for 375 lb. per pair
- » Steel construction
- » ANSI/BHMA A156.9-2003



Size	A	B	C	D	E	F	G	H	I	J	K	L	M	N	O	P	Q	R	S
5" x 8"	125	200	23°	13°	50	-	94	20	-	94	65	2	-	50	15	40	50	-	-
8" x 12"	200	300	13°	25°	65	-	150	25	-	150	100	2	-	94	20	67	94	-	-
12" x 18"	298.5	450.9	12.8°	19.5°	65	140	130	25	139.7	130	87	3	-	120	20	80	119.7	-	-
15" x 21"	381	533.3	13.5°	22°	68	172.4	164.4	25.4	172.4	164.4	102.4	3	121	101	19.3	71.3	101	20	90
18" x 24"	463	616	11°	16.5°	71	352.5	95	55	231.7	149	32	3	192.5	98.4	54	32.5	158	72	-
24" x 24"	603.3	603.3	11°	11°	68	352.5	95	55	231.7	149	32	3	352.5	95	55	32	149	231.7	-

Cable Grommets



*Two-Piece with Tab
Removed*

*Three-Piece with
Adjustable Spring
Closure*

*Three-Piece with
Adjustable Spring
Closure*

*Plastic Grommet
without Cover*

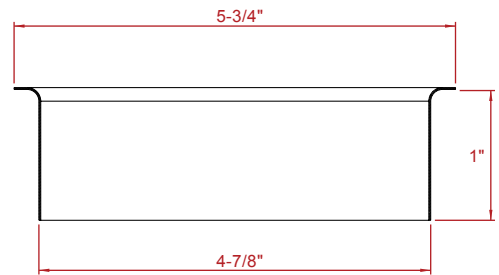
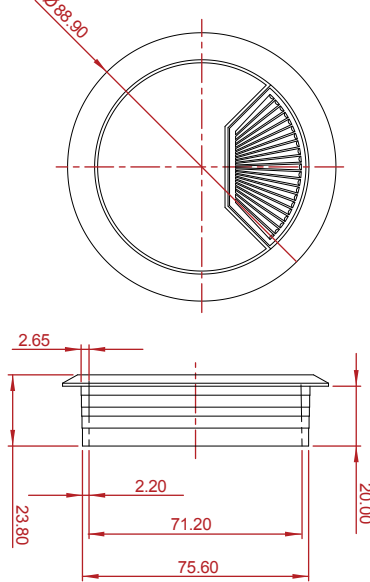
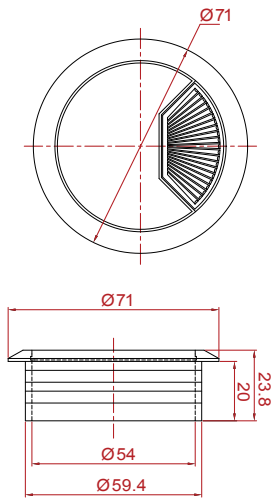
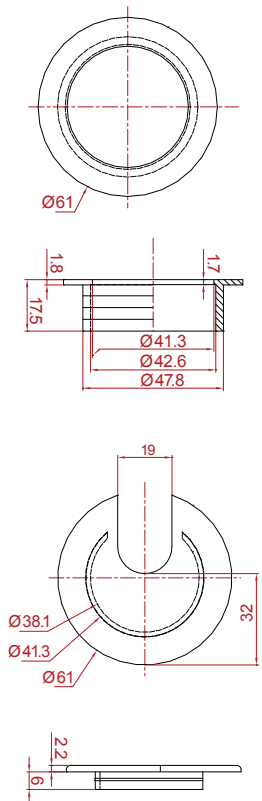
Cover Diameter	Ø 61 mm	Ø 71 mm	Ø 3-1/2"	Ø 5-3/4"
Drilling Hole Diameter	Ø 1-7/8" (48 mm)	Ø 2-3/8" (60 mm)	Ø 3" (75 mm)	Ø 5" (127 mm)
Height Under Cover	5/8" (16 mm)	25/32" (20 mm)	25/32" (20 mm)	1" (25 mm)
Black	63000 500 pcs/ctn	68000BK 500 pcs/ctn	69000BK 500 pcs/ctn	—
Brown	—	68000BR 500 pcs/ctn	—	—
Grey	—	68000GR 500 pcs/ctn	—	—
White	—	68000WH 500 pcs/ctn	69000WH 500 pcs/ctn	67000WH 200 pcs/ctn

63000

68000

69000

67000WH

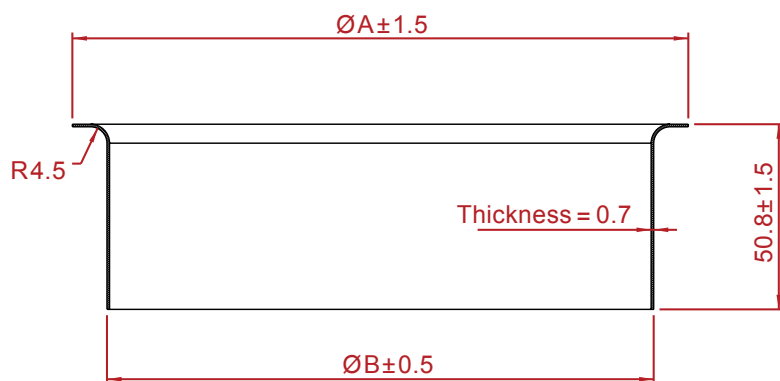


Trash Can Grommets

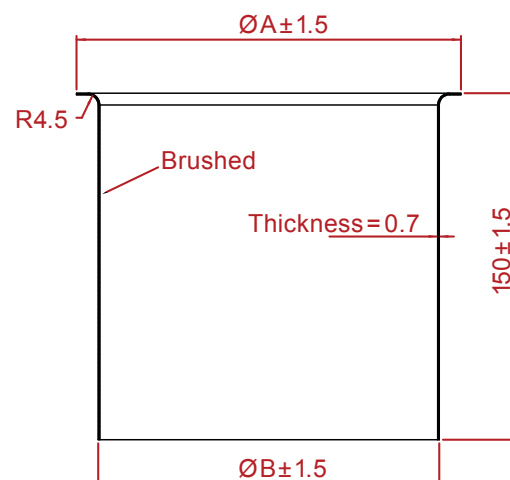


	6"	8"	10"	12"
Grommet Diameter	Ø 6-5/8" (169 mm)	Ø 8-5/8" (219 mm)	Ø 10-5/8" (269 mm)	Ø 12-9/16" (319 mm)
Drilling Hole Diameter	Ø 5-15/16" (152 mm)	Ø 7-15/16" (202 mm)	Ø 9-15/16" (253 mm)	Ø 11-15/16" (303 mm)
Height	2" (50.8 mm)	2" (50.8 mm)	2" (50.8 mm)	2" (50.8 mm)
Stainless Steel	TCR6-SS 10 pcs/ctn	TCR8-SS 10 pcs/ctn	TCR10-SS 10 pcs/ctn	TCR12-SS 10 pcs/ctn

	6"	8"
Grommet Diameter	Ø 6-5/8" (169 mm)	Ø 8-5/8" (219 mm)
Drilling Hole Diameter	Ø 5-15/16" (152 mm)	Ø 7-15/16" (202 mm)
Height	6" (152.4 mm)	6" (152.4 mm)
Stainless Steel	TCR66-SS 6 pcs/ctn	TCR86-SS 6 pcs/ctn

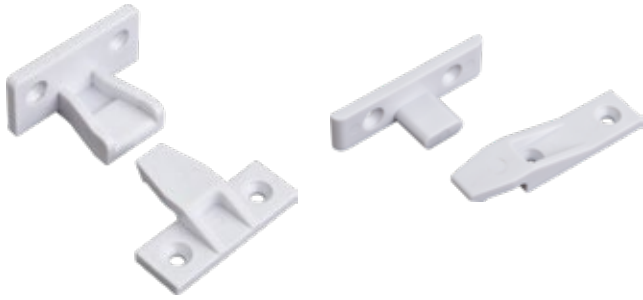


Part No.	A	B
TCR6-SS	169	150
TCR8-SS	219	200
TCR10-SS	269	251
TCR12-SS	319	301



Part No.	A	B
TCR66-SS	169	150
TCR86-SS	219	200

Two-Piece Panel Connectors



Push-in Fastener **Suspension Fittings**

White plastic	200-K1 sold by pair	200-K2 sold by pair
Recommended screw:	#7 flat head	#7 flat head



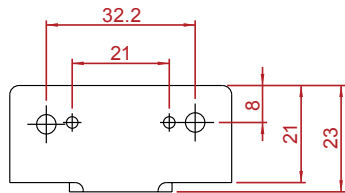
1-3/8" x 2" Panel Clips **92" Panel Clip Bar**
32 mm CC Holes **8" CC Holes**

Zinc	200-ZB 200 pcs/ctn	200-Z92 25 pcs/ctn
Recommended screw:	#7 pan washer head	#7 pan washer head

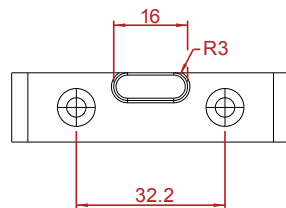
- » Push-in fastener for fastening panels to frames
- » Suspension fittings for securing trim and panels directly to walls without wood subframe. Frame can be preassembled. Panels are hung on site.

- » Mount panels or cabinets to the wall
- » Fast and easy mounting and removal
- » Clips securely grab each other
- » Clips are concealed when mounted
- » Aluminum construction
- » 8' stick with holes indexed for 16" or 24" studs

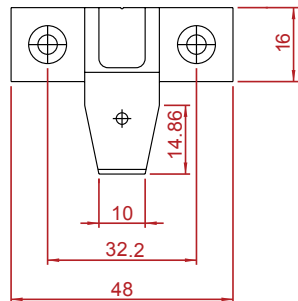
200-K1 Base



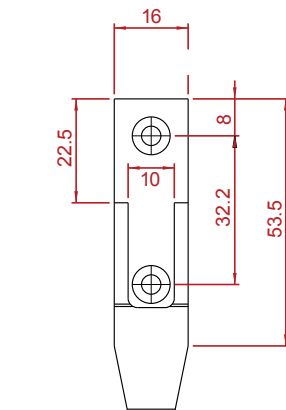
200-K2 Base



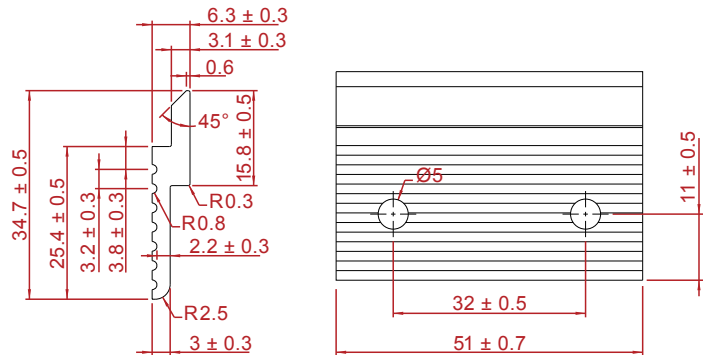
200-K1 Locker



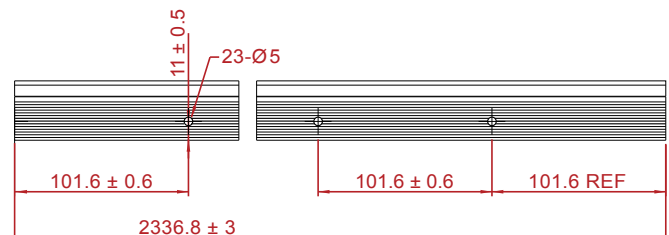
200-K2 Locker



200-ZB



200-Z92



Connectors

Two-Piece Connector Bolts



2-Piece Connector Bolt

Ø 5 mm Drilling 35–45 mm Panel	565NP35-B-K 600 pcs/ctn
Ø 8 mm Drilling 31–41 mm Panel	555NP31-B-K 400 pcs/ctn

- » Designed for joining two panels
- » Pozi drive allows for maximum torque in a hand- or machine-driven application
- » Ø 5 mm or Ø 8 mm pilot holes are required
- » Nickel plated
- » White box packed
- » Salt anti-corrosion Certified ANSI/BHMA A156.9-2010

Confirmat Flat Head Screws

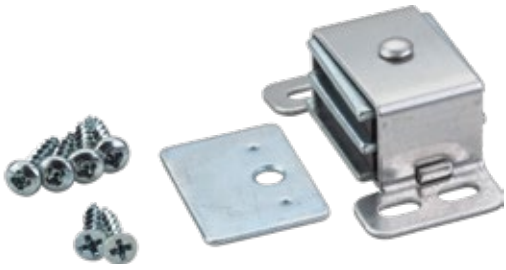


7 mm x 50 mm

Blunt Tip	HR7X50-B-K 500 pcs/ctn
Pointed Tip	HR7X50P-B-K 500 pcs/ctn

- » Pozi drive allows for maximum torque in hand- or machine-driven applications
- » Coarse thread yields maximum engagement into a variety of materials
- » White box packed

Magnetic Catch

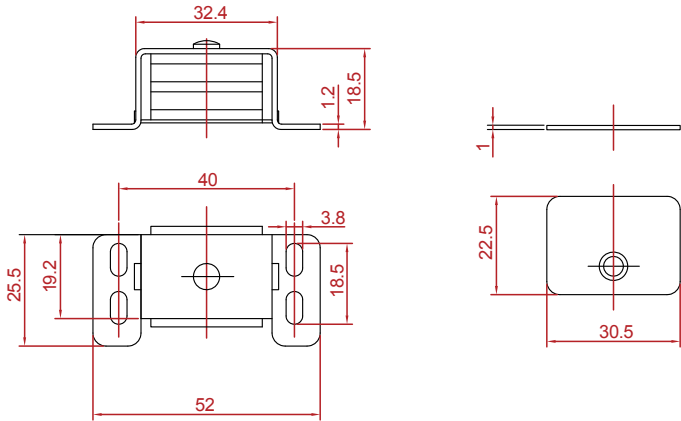


**Magnetic Catch
8 lb.**

Zinc

50760
250 pcs/ctn

Recommended screw: screws included



Magnetic Touch Latches



Magnetic Touch Latch



Black

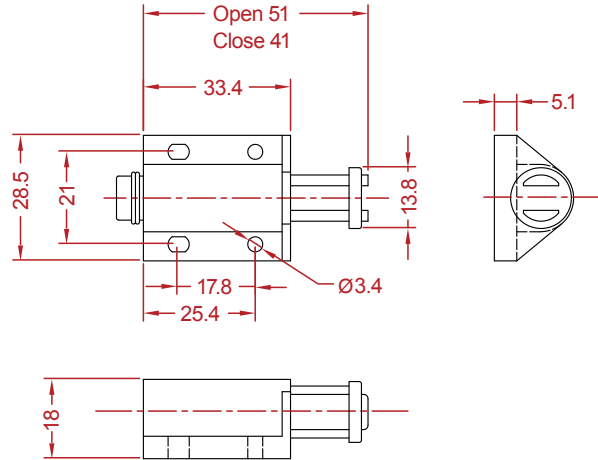
506L2
600 pcs/ctn



Cream
White

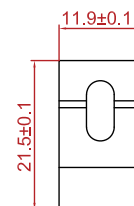
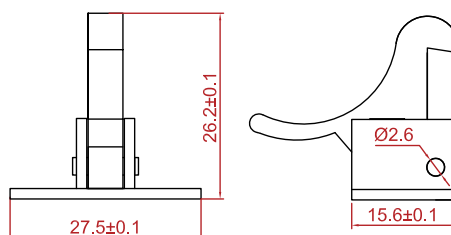
506L1
600 pcs/ctn

Recommended screw: #6 x 3/4" pan head



Catches

Elbow Catch



Elbow Catch

Nickel

EC02-NI
400 pcs/ctn

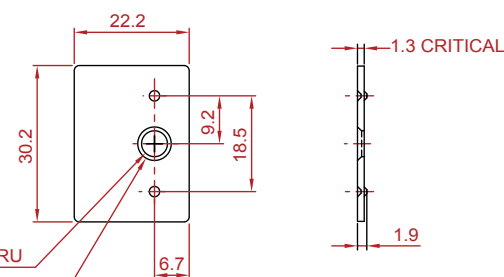
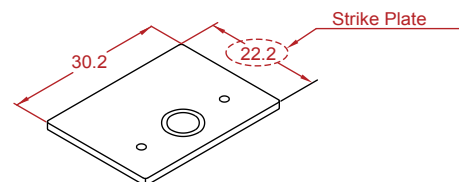
Recommended screw:

#5 flat head for catch
#6 pan head for strike plate

Strike Plates



1-3/16" x 7/8"



Bronze

506S2
3000 pcs/ctn



White

506S4
3000 pcs/ctn



Zinc

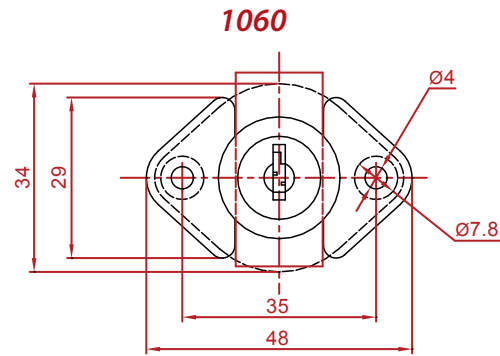
506S1
500 pcs/box
3000 pcs/master

Recommended screw:

#5 x 5/8" flat head

Ø7.2X82°
Countersink for
#5 Screw

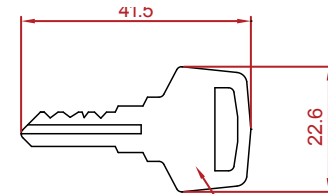
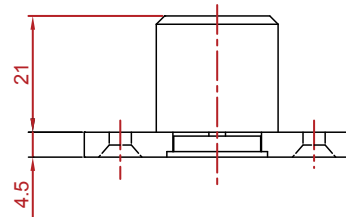
7/8" Zinc Die Cast Drawer Locks



7/8" Zinc Die Cast Drawer Lock

Brass Keyed Alike	1060BR
Chrome Keyed Different	1060CH

1 pc/bag
250 pcs/ctn



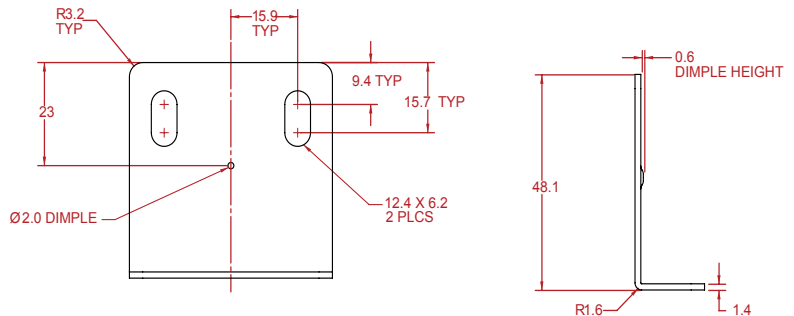
2 PCS Plating: BN

- » Standard 7/8" (22 mm) length with straight cam
- » Screws mount on 35 mm center
- » 180° angle of rotation
- » 2 keys included per bag
- » Master keying not available

Strike Plate for Cam Locks



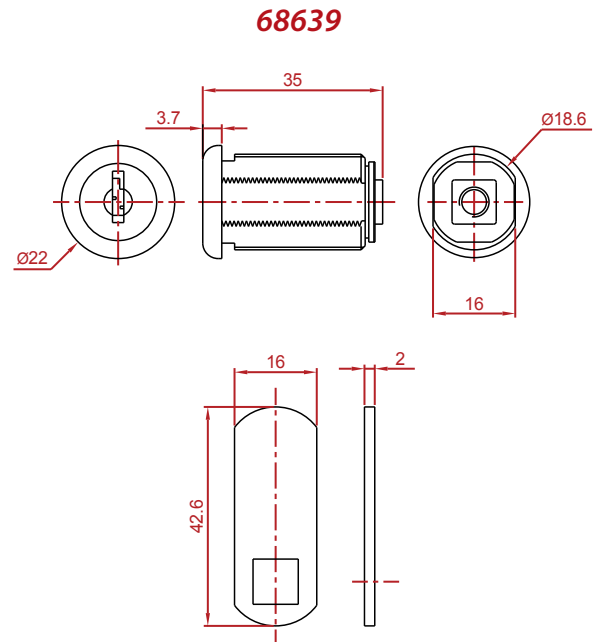
7000201



Bright Nickel	7000201BN
Recommended screw:	#8 washer head
	500 pcs/ctn

- » Long-lasting steel construction
- » Screw-on mount

Zinc Die Cast Drawer Locks



	1-1/8"	1-1/2"
Chrome Keyed Alike	68639CH	78739CH
Chrome Keyed Different	68639CHKD	78739CHKD
	1 pc/bag 200 pcs/ctn	1 pc/bag 200 pcs/ctn

- » Fork cam and 3/8" offset cam for flush applications
- » Body mounts with hex nut and prong washer into 3/4" (19 mm) diameter hole
- » 90° angle of rotation
- » 2 keys included per bag
- » For plastic, metal, or wood applications
- » Master keying not available

Shelf Supports

Ø 5 mm Pin Shelf Supports

» Solid steel construction



Spoon

**Spoon with
Anti-Slide Barb**

**Grommet
5.5 mm drill Ø**

**3/4" Arm
With 1/8" Hole**

Antique Brass	1306AB	—	1283AB	1707AB
Antique Copper	1306AC	—	—	1707AC
Black	1306BLK	—	1283BLK	1707BLK
Bright Nickel	1306BN	1306BN-2	1283BN	1707BN
Polished Brass	1306PB	—	1283PB	1707PB

1000 pcs/box*
6000 pcs/ctn

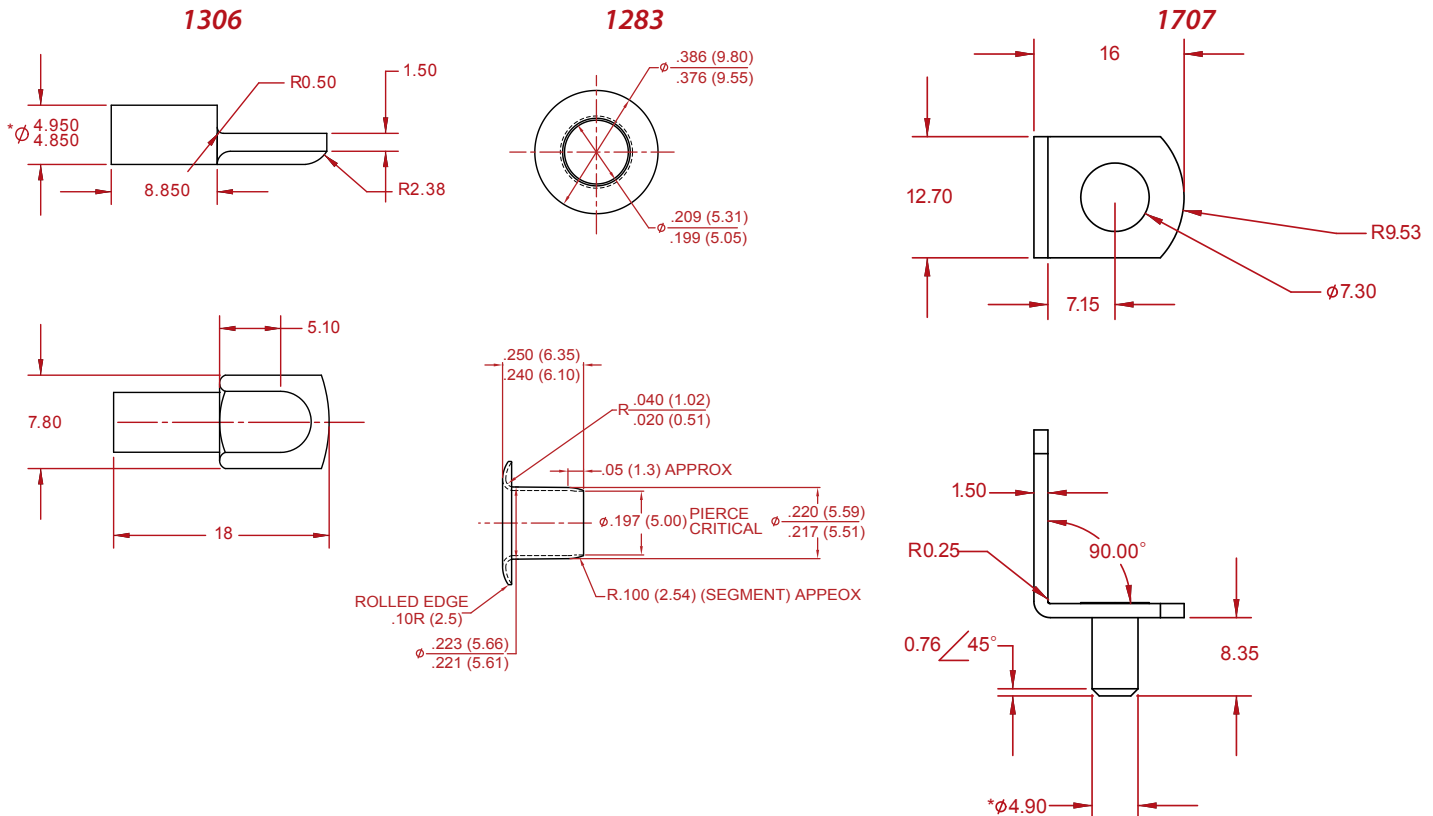
1000 pcs/box*
6000 pcs/ctn

1000 pcs/box*
5000 pcs/ctn

1000 pcs/ctn*

***NO BROKEN BOXES. FULL BOXES ONLY.**

FOR A COMPLETE SELECTION OF SHELF PINS SEE PAGES 152-155.



Shelf Supports

Ø 5 mm Pin Shelf Support

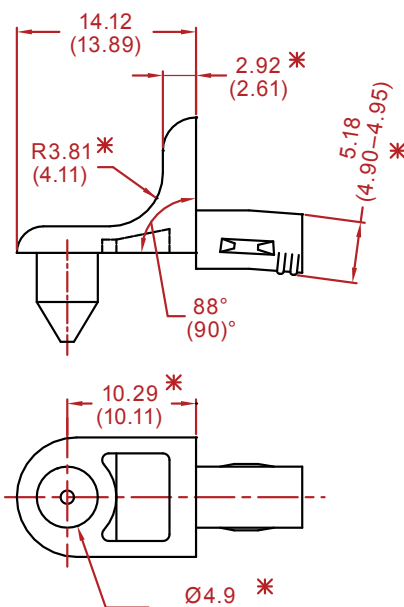
» Solid zinc die cast construction



Support with 5 mm Shelf Hold Pin

Zinc	1545ZN
	1000 pcs/ctn

1545ZN

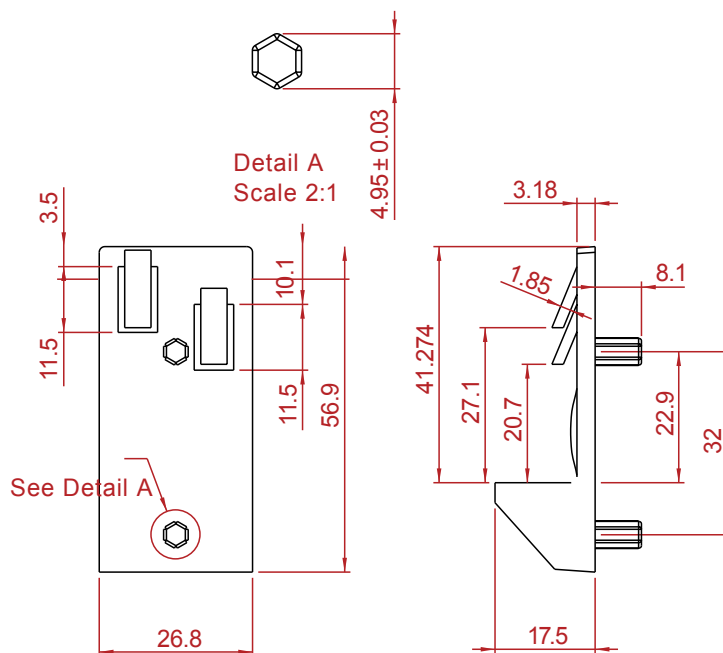


Heavy-Duty Shelf Lock



*Ø 5 mm Double Pin
3/4" or 1" Shelf*

Clear	7706CL
	2000 pcs/ctn

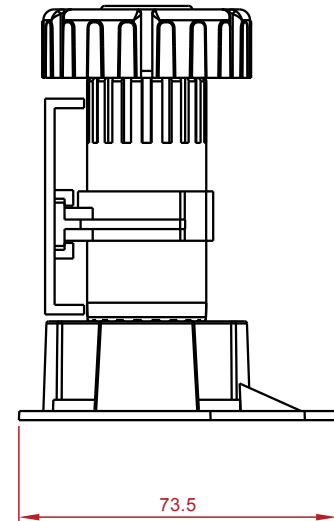
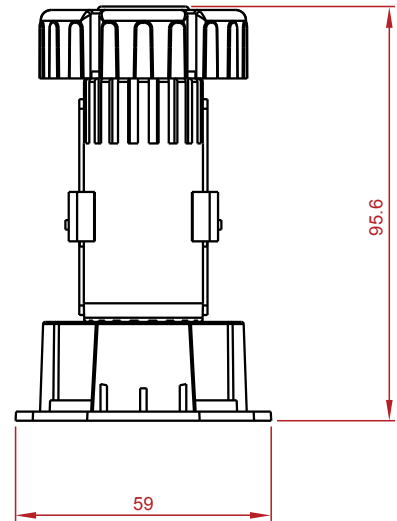
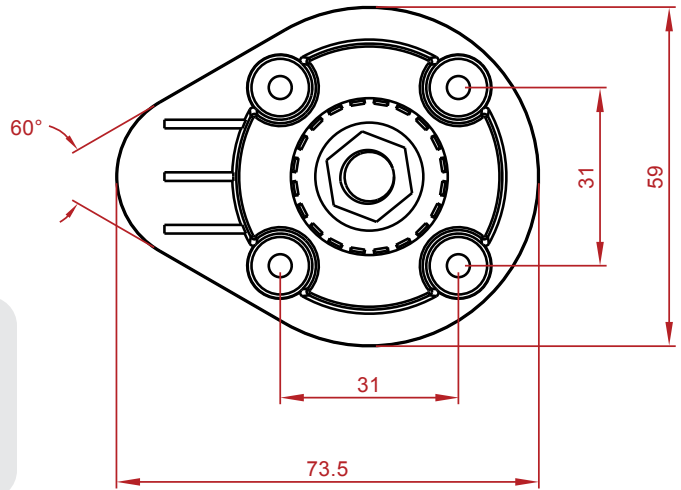


- » 500 lb. weight rating per set of 4
- » Highly durable synthetic plastic construction
- » Fits 3/4" or 1" shelf thickness
- » Two pins are 32 mm spaced
- » ANSI/BHMA A156.9-2003 Grade 1

Adjustable Plastic Foot



- » 850 lb. per set of 4
- » Adjustable 100–170 mm
- » Snap-on toe kick bracket



Plastic Foot

Black

TP03
200 pcs/ctn

Recommended screws:

#7 flat head for cabinet attachment
#7 pan head for toe kick attachment

Feet & Legs

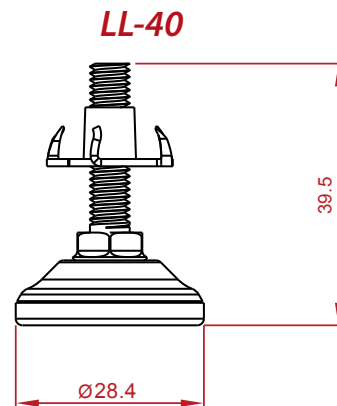
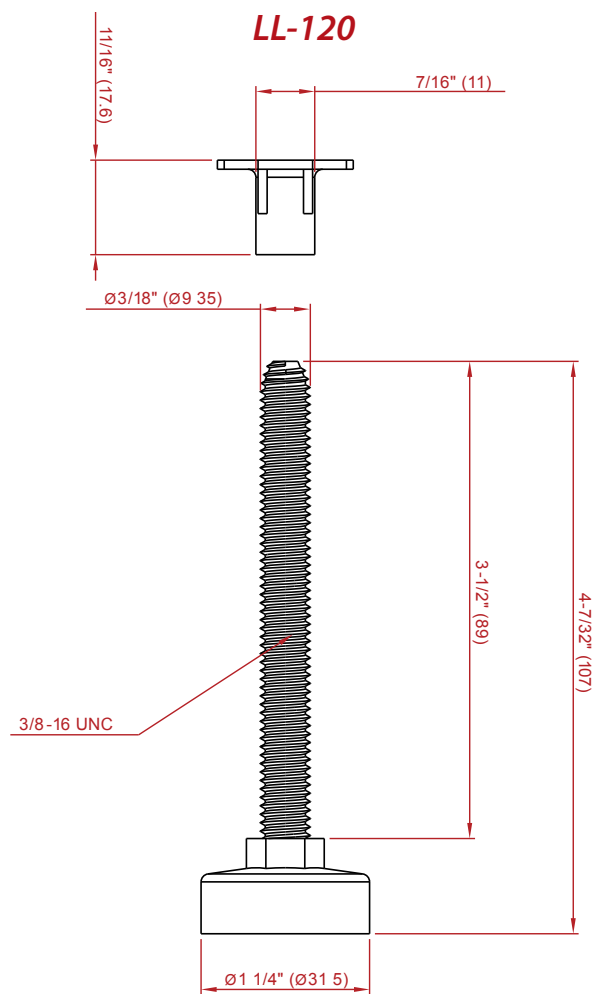
Leg Levelers



Leg Levelers

40 mm long x 28.5 mm wide	LL-40 250 pcs/ctn
120 mm long x 28.5 mm wide	LL-120 250 pcs/ctn

- » Non-scratch plastic shoe is rust-free
- » T-nuts have prongs that provide good grip when hammered into wood
- » Hex nut provides ready height adjustment as the screw threads into T-nut
- » 28.5 mm wide
- » Threaded T-nut included
- » Available in 40 mm and 120 mm sizes
- » Polybagged in sets of 4



Hanging File Accessories



- » Easy and fast install—no cutting or grooving is necessary
- » Top-mount or side-mount clip attachment
- » Hanging file bar cross rail can be cut to length and fits 1/2" and 5/8" clips



1292ZN

File Bar
3 mm thick x 1/2" tall x 92" length



464ZN

File Bar Clip
for 1/2" drawer side material



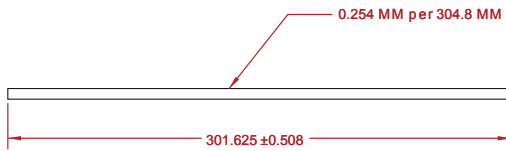
580ZN

File Bar Clip
for 5/8" drawer side material

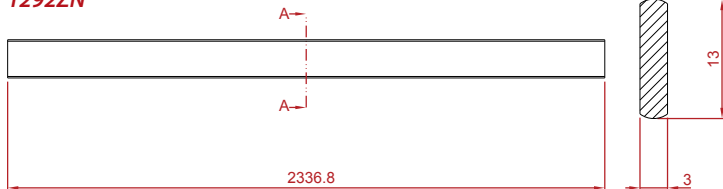
Zinc Plated	1292ZN 10 pcs/box 1000 pcs/ctn	464ZN 1000 pcs/ctn	580ZN 100 pcs/box 1000 pcs/master ctn
Recommended screw:	#6 pan head	#6 pan head	#6 pan head

092182BLK

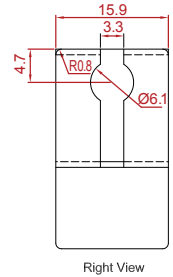
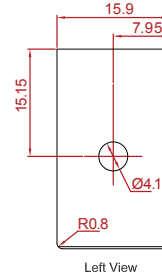
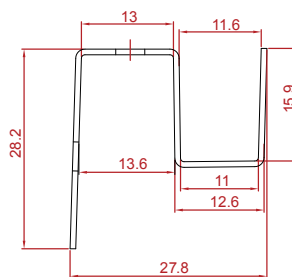
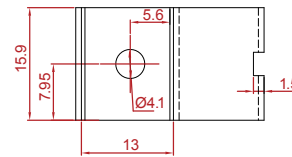
Ø 6.350 ± 0.051



1292ZN



464ZN

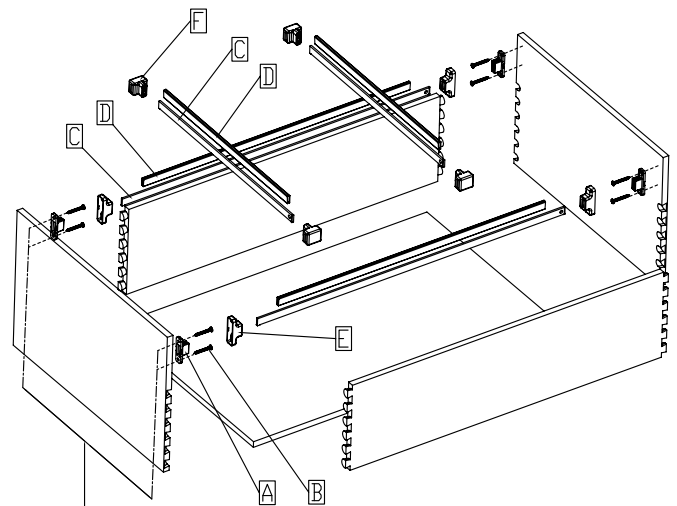


Hanging File Kit

Commercial
Hardware



- » Complete installation package (includes all parts)
- » Mounts inside the drawer for a cleaner appearance
- » No hooks that hang over the top edge of the drawer
- » Quick and easy to install
- » Cut-to-fit rods for variations in drawer size
- » Instructions included



CENTERS:
letter = 310 mm (12-3/16")
legal = 386 mm (15-3/16")

Contents List:

- 4 Rail Support Brackets (A)
- 8 Wood Screws (B)
- 4 Side Hanging Rails (C)
- 4 Side Hanging Rail Covers (D)
- 4 Rail Support Bracket Covers (E)
- 4 Lateral Brackets (F)

Hanging File Kit

Grey

FILE-KIT-GR
20 pks/ctn

Wire Pulls

See our full collections of knobs and pulls in the
Decorative Products & Organization Catalog



	3" center-to-center	3-1/2" center-to-center	96 mm (3-3/4") center-to-center	4" center-to-center	128 mm (5-1/16") center-to-center
Aluminum	A271-3AL 30 pcs/ctn	A271-3.5AL 30 pcs/ctn	A271-96AL 30 pcs/ctn	A271-4AL 30 pcs/ctn	—
Brushed Chrome Plated Steel	S271-3BC 30 pcs/ctn	S271-3.5BC 30 pcs/ctn	S271-96BC 30 pcs/ctn	S271-4BC 30 pcs/ctn	S271-128BC 20 pcs/ctn
Brushed Oil Rubbed Bronze Plated Steel	S271-3DBAC 30 pcs/ctn	S271-3.5DBAC 30 pcs/ctn	S271-96DBAC 30 pcs/ctn	S271-4DBAC 30 pcs/ctn	S271-128DBAC 20 pcs/ctn
Matte Black Plated Steel	S271-3MB 30 pcs/ctn	S271-3.5MB 30 pcs/ctn	S271-96MB 30 pcs/ctn	S271-4MB 30 pcs/ctn	S271-128MB 20 pcs/ctn
Polished Brass Plated Steel	S271-3PB 30 pcs/ctn	S271-3.5PB 30 pcs/ctn	S271-96PB 30 pcs/ctn	S271-4PB 30 pcs/ctn	S271-128PB 20 pcs/ctn
Polished Chrome Plated Steel	S271-3PC 30 pcs/ctn	S271-3.5PC 30 pcs/ctn	S271-96PC 30 pcs/ctn	S271-4PC 30 pcs/ctn	S271-128PC 20 pcs/ctn
Satin Nickel Plated Steel	S271-3SN 30 pcs/ctn	S271-3.5SN 30 pcs/ctn	S271-96SN 30 pcs/ctn	S271-4SN 30 pcs/ctn	S271-128SN 20 pcs/ctn
Stainless Steel	K271-3SS 30 pcs/ctn	K271-3.5-SS 30 pcs/ctn	K271-96-SS 30 pcs/ctn	K271-4SS 30 pcs/ctn	—

Hardware Resources believes in quality, integrity, and reliability. We uphold the highest standards of service and responsibility in the industry.

As such, Hardware Resources warrants our commercial hardware products against defects in material and workmanship as long as the original consumer purchaser owns the products, if the original consumer purchased the products from an authorized distributor of Hardware Resources. Hardware Resources cannot guarantee the quality or condition of products from distributors who do not agree to meet our high standards, and therefore, no warranty is provided for products from unauthorized sellers.

Hardware Resources will send the original consumer purchaser, without charge, a new product to replace any defective product subject to this warranty. This warranty is a warranty of replacement only. Hardware Resources specifically does not warrant removal of the defective product nor installation of the replacement product. This warranty does not cover products that have been incorrectly installed, exposed to excessive loads or otherwise used in a manner contrary to their intended purpose. In the event the defective Hardware Resources commercial hardware item is obsolete or has been discontinued, Hardware Resources reserves the right to replace the defective product with a current offering.

In the unlikely event that a defective commercial hardware item is encountered, please contact Customer Service at 800.463.0660. Please be able to provide a brief description and photographs of the defect.



You Buy. You Try. You Decide.

Place a Trial Order for any new-to-you functional products and try them out. If you're not satisfied, we'll take them back. Guaranteed!

How the Trial Order program works

1. Place a Trial Order for any new-to-you functional hardware. Trial Orders can be combined with a regular order. We pay the freight on Trial Orders.
2. Test the products risk-free.
3. If you're not completely satisfied, call us. We'll give you immediate full credit on the Trial Order purchase. We'll arrange for the products to be picked up later—no need to save the original packaging, ship them back, etc. We make it easy. We would appreciate hearing your observations on the products.



How to order

1. Call **800-463-0660**
2. Use code **TRIAL-HINGE&SLIDE** for the Trial Order products

1750 Series Heavy-Duty Adjustable Soft-Close Hinges



9390ADJ Series Dura-Close® Compact Hinges with Adjustable Closing Speed



USE58-500 Series Dura-Close® Synchronized Soft-Close Slides



*All decorative wood products are stocked in our regional warehouses,
with 98% fill rates and same-day shipping for fast delivery*

Designer-driven selection of carvings:

- » Over 2500 SKUs of corbels, posts, legs & feet, onlays, capitals, and hand carved moulding.
- » Copyright-protected designs unique to Hardware Resources.
- » Designs offered in size families, allowing the same design to be carried throughout the home in different applications.
- » Each piece is CNC machined for exact pattern duplication and hand carved for finishing details.



- » All items are hand sanded to a smooth finish and individually inspected under bright light.



- » Every carving is packed with a silica bag for moisture protection, shrink-wrapped to protect against soiling, and UPC labeled for retail sale.

Linear Moulding:

- » Made in the USA.
- » Over 500 SKUs—stocked in our Bossier warehouse in 100% clear/clean usable 8' sticks—perfect for ordering by the job.
- » Exact pattern duplication is guaranteed by using the finest CNC moulding technology. All knives are created and sharpened in our facility, ensuring a consistent product run after run.



- » Rope and dentil mouldings are applied by hand with glue—never nailed or stapled.
- » Every piece is inspected individually under bright light before shipping.

Wood Products

Decorative Wood & Moulding

Species	188-189
Warranty	188
Corbels Chart	190-191
Fireplace Corbels Chart	192
Posts & Legs Chart	193-195
Onlays & Appliqués Chart	196-197
Capitals Chart	197
Cabinet Feet Chart	198-199
Wood Display Towers	200-201
Decorative Wood	
Corbels	202-249
Countertop Support Brackets	250-251
Fireplace Corbels	252-255
Capitals	256-259
Onlays & Appliqués	259-267
Metal Onlay	263
Corner Posts	268-270
Corner Legs	271-273
Post Sleeves	274-275
Posts	276-311
Cabinet Feet	312-321
Metal Feet	321
Moulding	
Linear Foot Pricing	322
Moulding Multiples Quick Reference	323
Hand Carved Moulding	324-326
Crown	327-340
Rope	341-346
Dentil	347-349
Embossed	350
Base	351-353
Accent	354-355
Light Rail	356-358
Stemware	359
Beauty	360
Columns	361-363
Fluted Columns	364
Corners	365-366
Transition Blocks	367-369
Moulding Cornice Blocks	370
Rosettes	371-372
Design Software Libraries NEW	373

Dovetail Drawer Boxes

Dovetail Drawer Boxes	374-375
Rollouts & High-Back Rollouts	376
Drawer Box Linear Material	376
Complimentary Laser Engraving	377
Warranty	377
Custom Tray Organizers	378-379
In Stock Preassembled Rollout Drawers	380-381
Calculations for Ordering	382

Carvings and linear mouldings are available in North American hardwoods including:



Alder (ALD) – superior clear FAS grade; typical “rustic” characteristics are defected out (such as heavy mineral, heavy sap, or severe knots); pulled for uniform pink coloration



Cherry (CH) – FAS select grade, pulled for maximum red-colored heartwood on the best face



Maple (MP/HMP) – New York and Michigan select hard maple; FAS grade 1&2 white



Oak (OK) – FAS superior grade select Appalachian red oak; pulled for wheat color



Poplar (POP) – Southern FAS natural poplar; a mixture of sap and heartwood; blacks, purples, and greens are acceptable; this is our paint-grade species for linear mouldings

Most carvings are also available in species designed for price-sensitive projects, including:



Rubberwood (RW) – a member of the maple family, this hardwood comes from trees whose sap produces latex (rubber); an environmentally friendly wood due to its secondary use in furniture and carvings; dense tight grain with even coloration ranging from pink to light brown; accepts stain readily to match a wide variety of North American species



White Birch (WB) – hardwoods including Asian white birch, Baltic birch, and Asian soft maple; pale white in color with finely textured grain makes this species a good staining alternative to hard maple

Decorative Wood & Moulding Warranty

Hardware Resources believes in quality, integrity, and reliability. We uphold the highest standards of service and responsibility in the industry.

As such, Hardware Resources warrants all Decorative Wood and Moulding to be free from any defects in material and workmanship. This warranty is valid for up to 1 year from the time of original purchase. Hardware Resources will send the original consumer purchaser, without charge, new replacement product of equal size and species to replace any defective wood or moulding product subject to this warranty. This warranty is a warranty of replacement only. Hardware Resources specifically does not warrant removal of the defective product nor installation of the new one. This warranty does not cover the finish work on the new product, product that has been incorrectly installed, exposed to extreme temperatures or humidity, or otherwise used in any manner contrary to their intended purpose. Moulding sold in less than carton quantity is subject to damage in shipping and is not eligible for a warranty claim.

In the unlikely event that a defective Decorative Wood or Moulding is encountered, please contact Customer Service at 800.463.0660. Please be able to provide a brief description and photographs of the defect.



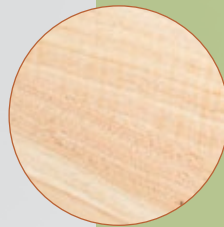
What is Rubberwood?

Rubberwood comes from the Para rubber tree, *Hevea Brasiliensis*, which is plantation-grown and produces latex used in making rubber.



Rubberwood is environmentally friendly!

Once the tree reaches maturity (usually about 25–30 years old), it ceases producing latex. Rather than being scrapped or burned, those mature trees are harvested and cut into lumber, and new trees are planted.



Rubberwood has consistent grain & coloring.

It is a light-colored medium-density hardwood that is characterized by straight grain with an open texture. Like all hardwoods, it takes on stains easily.



Rubberwood is a stable construction material.

It can be used to make many products due to its minimal shrinkage in the kiln drying process. Some products include: cabinets, drawer boxes, floors, counter & table tops, furniture, kitchen accessories and more.

Corbels



COR D
page 203



COR B
pages 203-204



COR MJ
page 204



COR K
pages 205-206



COR P
page 206



COR S
page 207



COR E
page 207



COR AA
page 208



COR MI
page 209



COR C
pages 209, 213



COR N
page 210



COR Q
pages 211-212



COR F
page 213



COR 17
page 214



COR 30
page 215



COR 2
page 216



COR 4
page 216



COR 26
page 217



COR G
page 218



COR J
page 218



COR W
page 219



COR 25
page 220



COR 44
page 221



COR 22
page 222



COR 19
page 223



COR 20
page 224



COR O/COR H
pages 225-226



COR 16
page 227



COR X
page 227



COR V
page 227



COR 46
page 228



COR 28
page 228



COR SM
page 229



COR SQ
page 229



COR 9
page 230



CORU
page 231



COR32
page 232



COR33
page 233



CORZ
page 234



COR40
page 235



CORM
page 236



COR8
page 237



COR38
page 238



COR39
page 239



CORT-S
page 240



CORT-P
page 240



CORT-F
page 240



COR42
page 241



COR43
page 241



COR23
page 242



COR24
page 243



COR5
page 244



COR6
page 245



COR41
page 246



COR47
page 247



COR36
page 247



COR35
page 248



COR37
page 248



COR34
page 249



COR45
page 249



Fireplace Corbels



FCORB
page 252



FCORQ
page 252



FCOR5
page 253



FCOR6
page 253



FCORE
page 254



FCOR4
page 254



FCORV
page 255



FCOR21
page 255



CP-1
page 268



CP-2
page 269



CP-3
page 270



CL-1
page 271



CL-3
page 271



CL-2
page 271



LEGB
page 272



LEGC
page 272



LEGA
page 273



LEGD
page 273



P81
page 277



P1
pages
278-279



P23
page 280



P28/P29
page 281



P4
page 282



P6
page 282



P15
page 282



P16
page 282



P26
page 283



P14
page 284



P19
page 284



P22
page 284

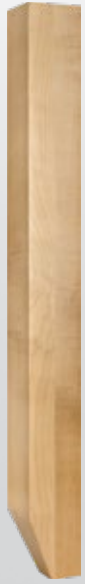
Posts & Legs



P2/P20 pages 285-286 P3/P21 page 287 P9 page 288 PS-9 page 288 P27 page 289 P35 page 290 P78 page 291 P70 page 292 P38 page 293 P13 page 294 P37 page 295



P83 page 296 P82 page 297 P34 page 297 P39 page 298 P36 page 298 P41 page 298 P73 page 299 P60 page 299 P74 page 300 P72 page 300 P64 page 301



P32
page 302



P33
page 302



P42
page 302



P31
page 303



P43
pages 303-304



P63
page 304



P75
page 305



P65
page 305



P67
page 306



P68
pages 306-307



P79
page 307



P80
page 308



P71
page 309



P76
page 310



P77
page 310



P66
page 311



Onlays & Appliqués



PAPL-12
APL-12
page 267



PAPL-13
APL-13
page 266



PAPL-08
APL-08
page 266



PAPL-09
APL-09
page 266



PAPL-06
APL-06
page 266



PAPL-07
APL-07
page 266



PAPL-14
APL-14
APL-14-5
page 267



AP001
page 259



ONL-01
page 259



PONL-02
APL-02
page 260



ONL-02-16
page 260



ONL-02
page 260



PONL-04
APL-04
page 261



PONL-08
ONL-08
page 261



ONL-09
page 262



ONL-10
page 262



ONL-04
page 262



ONL-07
page 263



MONL-01BLK
page 263



ONL-06
page 264



PAPL-05
APL-05
page 264



PAPL-11
APL-11
page 265



PAPL-10
APL-10
page 265

Capitals



CAP1
page 256



CAP2
page 256



CAP3
page 256



CAP4
page 256



CAP5
page 257



CAP6
page 257



PC-1
page 258



PC-2
page 258



PC-3
page 258



FC1
page 258



FP1
page 258



MRH-1
page 259



FBP1
page 258

Cabinet Feet



WL80 - 8"
WL60 - 6"
page 313



WLC86 - 8"
WLC60 - 6"
page 313



WLC80 - 8"
page 313



WLF80 - 8"
WLF60 - 6"
page 314



WLC80 - 8"
WLC60 - 6"
page 314



WL85 - 8"
WL65 - 6"
page 313



WLC85-8"
WLC65-6"
page 313



WL82 - 8"
page 313



WLC50 - 5"
page 314



WL50 - 5"
page 314



PFL/PFR - 4"
page 315



PFC - 4"
page 315



PFCS - 4"
page 315



PFM1 - Middle
page 315



PFL-B/PFR-B - 4-1/2"
page 316



PFC-B - 4-1/2"
page 316



PFCS-B - 4-1/2"
page 316



PFM1-B - Middle
page 316



PFL2/PFR2 - 4-1/2"
page 317



PFCS2 - 4-1/2"
page 317



PFM2 - Middle
page 317



PFSHA - 4-1/2"
page 317



PFCSHA - 4-1/2"
page 317



PFCOV - 4-1/2"
page 318



PFCCOV - 4-1/2"
page 318



LBF45 - 4-1/2"
page 318



FBF45 - 4-1/2"
page 318



SBF45 - 4-1/2"
page 318



BF70 - 4"
page 319



BF45 - 4-1/2"
page 319



BF14-5 - 4"
page 319



BF14-4 - 5"
page 319



BF42 - 4"
page 318



BF14-3 - 4"
page 319



BF14-1 - 5"
page 319



BF14-2 - 4"
page 319



BF15-1-8 - 8"
BF15-1-6 - 6"
page 320



BF15-2-8 - 8"
BF15-2-6 - 6"
page 320



BF33 - 4-1/2"
page 319



BF32 - 4-1/2"
page 318



BF34 - 4"
BF34-5 - 4-1/2"
page 318



BF90 - 4-1/4"
page 319



BF41 - 4-1/2"
page 320



BF35 - 4-1/2"
page 318



BF40 - 4-1/2"
page 319



BF16-1 - 4-1/2"
page 319



BF16-2 - 4-1/2"
page 319



BF16-3-6 - 6"
page 320



BF16-3-8 - 8"
page 320



BF4 - 4"
page 320



BF60 - 6"
page 320



BF30 - 3"
page 320

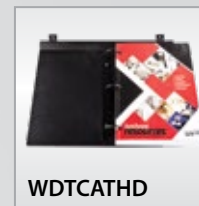
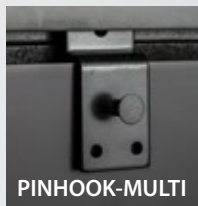


BFC40 - 3"
page 320

Showcase decorative corbels & posts so customers can visualize their design

Display Tower Features

- Mix-and-match corbels & posts for a custom design option or order our predesigned tower
- Display coordinating corbels & posts together
- Unfinished wood products allow customization with the preferred finish
- Use pin hooks & post brackets to arrange the selected wood products on the slat wall panels
- Dimensions: 34-15/16" Diameter x 80-7/8" Height



Available Accessories:

PINHOOK-MULTI	Pin hooks for slat walls, 5-piece package
5.0PB-MULTI	5" post brackets, 3 sets per package
3.5PB-MULTI	3-1/2" post brackets, 3 sets per package
WDTCATHD	Catalog Holder for Wood Display Tower
WDTSOHD	Special Order Form Holder



Wood Display Tower
Item #: WDT-36

We've created a Predesigned Wood Display Tower to help get you started

Each wing features the most popular corbels & posts in each category

- 3 different styles: Transitional, Traditional, and Contemporary
- The towers are stocked with unfinished rubberwood corbels and posts
- Alternate wood species upgrades are available by request
- The tower is included FREE with the purchase of the predesigned layout

Transitional Item Number

1	CORG-5-RW
2	CORG-4-RW
3	CORG-3-RW
4	CORG-RW
5	COR39-1-RW
6	COR39-2-RW
7	COR39-RW
8	COR39-3-RW
9	COR38-1-RW
10	COR38-2-RW
11	COR38-RW
12	COR38-3-RW
13	CORZ-1RW
14	CORZ-5-RW
15	CORZ-3RW
16	P83-5-42-RW
17	P83-RW



Traditional Item Number

1	CORMJ-RW
2	CORBB-5-RW
3	CORB-PRW
4	CORBB-1RW
5	CORD-RW
6	CORBB-2RW
7	CORBB-3RW
8	CORN-4RW
9	CORC-5-RW
10	CORF-5-RW
11	CORC-PRW
12	CORN-2RW
13	CORN-3RW
14	CORC-1RW
15	CORN-6RW
16	CORC-2RW



Contemporary Item Number

1	CORO-5-RW
2	CORO-2RW
3	CORO-4-RW
4	COR22-5-RW
5	CORO-6-RW
6	CORH-2-RW
7	PS-9-5-RW
8	COR41-1-RW
9	COR41-2-RW
10	COR41-3-RW
11	P78-RW
12	P78-5-42-RW



Corbels





CORBB-24		
Width	Depth	Height
9-1/2"	16"	24"
Carton Quantity:		1
White Birch		

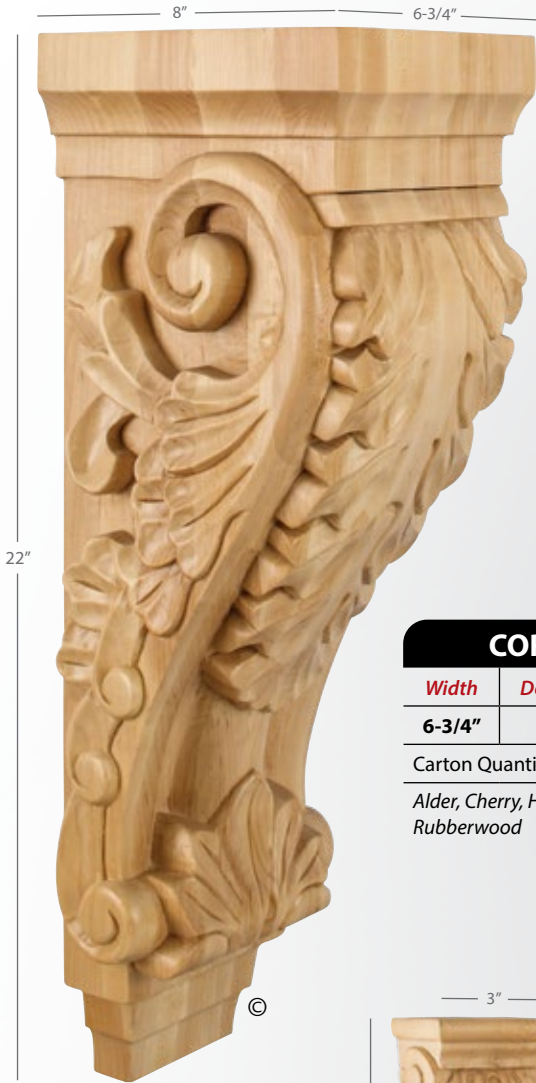


CORB-4		
Width	Depth	Height
8-1/4"	6-1/4"	14"
Carton Quantity:		2
Alder, Cherry, Hard Maple, Rubberwood		



CORD		
Width	Depth	Height
4-7/8"	4-1/2"	12"
Carton Quantity:		8
Alder, Cherry, Hard Maple, Oak, Rubberwood		

Corbels



CORBB-3

Width	Depth	Height
6-3/4"	8"	22"
Carton Quantity:		2

Alder, Cherry, Hard Maple, Oak, Rubberwood



CORBB-2

Width	Depth	Height
5"	7"	14"
Carton Quantity:		4

Alder, Cherry, Hard Maple, Oak, Rubberwood



CORB-P

Width	Depth	Height
2-1/2"	2-5/8"	7"
Carton Quantity:		50

Cherry, Hard Maple, Rubberwood



CORMJ

Width	Depth	Height
3"	1-3/4"	4-1/4"
Carton Quantity:		50

Cherry, Hard Maple, Oak, Rubberwood



CORBB-5

Width	Depth	Height
3"	2-1/2"	5"
Inner Carton Qty:		10

Alder, Cherry, Hard Maple, Rubberwood, White Birch



CORBB-1

Width	Depth	Height
4-1/2"	5"	10"
Carton Quantity:		8

Alder, Cherry, Hard Maple, Oak, Rubberwood



CORK-5

Width	Depth	Height
8-1/2"	4-3/4"	35"

Carton Quantity: 2

Alder, Cherry, Hard Maple, Rubberwood



CORK-4

Width	Depth	Height
7"	3-3/4"	22"

Carton Quantity: 4

Alder, Cherry, Hard Maple, Rubberwood



CORK-6

Width	Depth	Height
5-1/2"	3-1/2"	14"

Carton Quantity: 10

Alder, Cherry, Hard Maple, Rubberwood

Corbels



CORK-3		
Width	Depth	Height
1-7/8"	4-1/2"	10"
Carton Quantity:		25

Alder, Cherry, Hard Maple, Oak, Rubberwood



CORK-2		
Width	Depth	Height
1-1/2"	3-5/8"	8"
Carton Quantity:		40

Alder, Cherry, Hard Maple, Oak, Rubberwood



CORK-1		
Width	Depth	Height
1-3/8"	2-3/4"	6"
Carton Quantity:		50

Alder, Cherry, Hard Maple, Oak, Rubberwood



CORP-1		
Width	Depth	Height
1-1/2"	2-7/8"	4-1/2"
Carton Quantity:		50

Cherry, Hard Maple, Rubberwood



CORP-2		
Width	Depth	Height
1-1/2"	3-5/8"	5-1/2"
Carton Quantity:		50

Cherry, Hard Maple, Rubberwood



CORP-3		
Width	Depth	Height
2"	4-1/2"	7"
Carton Quantity:		50

Cherry, Hard Maple, Rubberwood



CORs

Width	Depth	Height
2-5/8"	9"	13-1/8"
Carton Quantity:		10

Alder, Cherry, Hard Maple, Rubberwood



CORE

Width	Depth	Height
3-3/8"	7-3/4"	13"
Carton Quantity:		8

Alder, Cherry, Hard Maple, Oak, Rubberwood, White Birch



CORE-1

Width	Depth	Height
3"	7"	10"
Carton Quantity:		8

Alder, Cherry, Hard Maple, Rubberwood, White Birch



CORE-2

Width	Depth	Height
3"	6"	8"
Carton Quantity:		12

Alder, Cherry, Hard Maple, Rubberwood, White Birch



CORAA-3

Width	Depth	Height
6-3/4"	7-5/8"	22"
Carton Quantity:		2

Alder, Hard Maple, Rubberwood



CORAA-2

Width	Depth	Height
5"	7"	14"
Carton Quantity:		4

Alder, Cherry, Hard Maple,
Rubberwood



CORAA-1

Width	Depth	Height
4-1/2"	5"	10"
Carton Quantity:		8

Alder, Cherry, Hard Maple,
Rubberwood, White Birch



CORC-3		
Width	Depth	Height
6-3/4"	7-5/8"	22"
Carton Quantity:		2
Alder, Cherry, Hard Maple, Oak, Rubberwood		



CORC-2		
Width	Depth	Height
5"	6-3/4"	14"
Carton Quantity:		4
Alder, Cherry, Hard Maple, Oak, Rubberwood		



CORC-1		
Width	Depth	Height
4-1/2"	5"	10"
Carton Quantity:		8
Alder, Cherry, Hard Maple, Oak, Rubberwood		



CORMI		
Width	Depth	Height
3"	1-1/2"	4-1/4"
Carton Quantity:		50
Cherry, Hard Maple, Oak, Rubberwood		



CORC-5		
Width	Depth	Height
3"	2-1/2"	5"
Inner Carton Qty:		10
Alder, Cherry, Hard Maple, Rubberwood, White Birch		



CORC-P		
Width	Depth	Height
2-5/8"	2-5/8"	7"
Carton Quantity:		50
Alder, Cherry, Hard Maple, Rubberwood		

Corbels



CORN-5

Width	Depth	Height
8-1/2"	5-1/2"	22"
Carton Quantity:		2

Alder, Cherry, Hard Maple, Rubberwood



CORN-6

Width	Depth	Height
7"	3-3/4"	22"
Carton Quantity:		4

Alder, Cherry, Hard Maple, Rubberwood



CORN-4

Width	Depth	Height
5-3/8"	3-1/2"	14"
Carton Quantity:		10

Alder, Cherry, Hard Maple, Rubberwood



CORN-4.5

Width	Depth	Height
2"	1-7/16"	4"
Inner Carton Qty:		10

Alder, Cherry, Hard Maple, Rubberwood, White Birch



CORN-3

Width	Depth	Height
3-7/8"	2-1/2"	10"
Carton Quantity:		25

Alder, Cherry, Hard Maple, Rubberwood



CORN-2

Width	Depth	Height
3-1/16"	2"	8"
Carton Quantity:		50

Alder, Cherry, Hard Maple, Rubberwood



CORN-1

Width	Depth	Height
2-5/16"	1-1/2"	6"
Carton Quantity:		50

Alder, Cherry, Hard Maple, Rubberwood



CORQ-3

Width	Depth	Height
6-3/4"	7-5/8"	22"

Carton Quantity: 2

Alder, Cherry, Hard Maple, Rubberwood



CORQ-2

Width	Depth	Height
5"	6-3/4"	14"

Carton Quantity: 4

Alder, Cherry, Hard Maple, Rubberwood



CORQ-7

Width	Depth	Height
8-1/8"	6-1/8"	14"

Carton Quantity: 6

Cherry, Hard Maple, Rubberwood

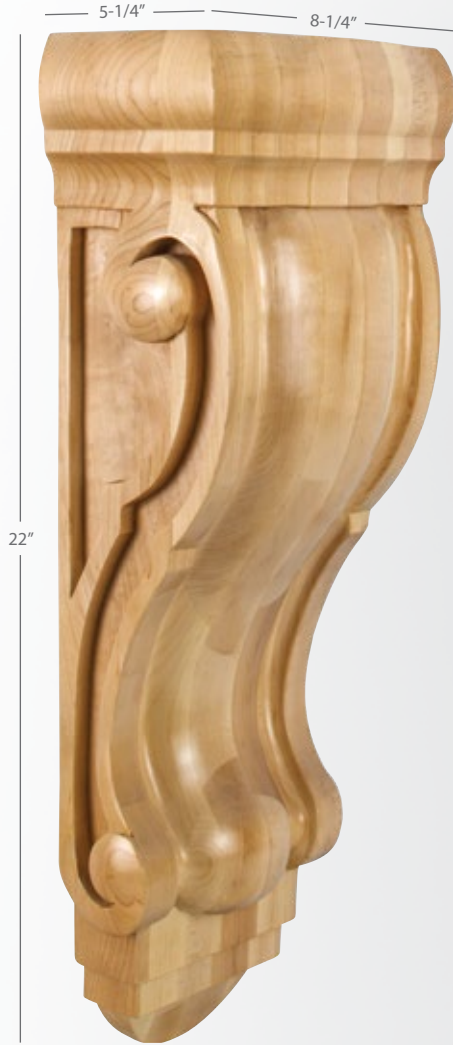


CORQ-1

Width	Depth	Height
4-1/2"	5-3/4"	9-3/4"

Carton Quantity: 8

Alder, Cherry, Hard Maple, Rubberwood



CORQ-6

Width	Depth	Height
8-1/4"	5-1/4"	22"

Carton Quantity: 2

Cherry, Hard Maple,
Rubberwood



CORQ-5

Width	Depth	Height
5"	3-5/16"	14"

Carton Quantity: 10

Cherry, Hard Maple,
Rubberwood



CORQ-4

Width	Depth	Height
3-5/8"	2-1/2"	10"

Carton Quantity: 16

Cherry, Hard Maple,
Rubberwood



CORC-24

Width	Depth	Height
9-1/2"	16"	24"
Carton Quantity:		1

White Birch



CORF

Width	Depth	Height
3-3/8"	7-3/4"	13"
Carton Quantity:		8

Alder, Cherry, Hard Maple, Oak, Rubberwood, White Birch



CORF-1

Width	Depth	Height
3"	7"	10"
Carton Quantity:		8

Alder, Cherry, Hard Maple, Rubberwood, White Birch



CORF-2

Width	Depth	Height
3"	6"	8"
Carton Quantity:		12

Alder, Cherry, Hard Maple, Rubberwood, White Birch



CORF-5

Width	Depth	Height
3-1/16"	3-1/16"	5"
Inner Carton Qty:		10

Alder, Cherry, Hard Maple, Rubberwood, White Birch



COR17-3

Width	Depth	Height
7"	7"	22"
Carton Quantity:		2

Alder, Hard Maple, Rubberwood

COR17-2

Width	Depth	Height
5-1/2"	5"	14"
Carton Quantity:		4

Alder, Cherry, Hard Maple,
Rubberwood

COR17-1

Width	Depth	Height
4-1/2"	3"	10"
Carton Quantity:		10

Alder, Cherry, Hard Maple,
Rubberwood



COR30-3[†]

Width	Depth	Height
6-1/2"	7-1/2"	18"

Carton Quantity: 2

Hard Maple, Rubberwood



COR30-2[†]

Width	Depth	Height
5"	6-1/2"	14"

Carton Quantity: 4

Alder



COR30-1[†]

Width	Depth	Height
4"	5"	10"

Carton Quantity: 8

Alder, Hard Maple



Corbels



COR2-2

Width	Depth	Height
3"	9-3/8"	14"
Carton Quantity:		8

Alder, Cherry, Hard Maple, Rubberwood



COR2-1

Width	Depth	Height
3"	6-5/8"	10"
Carton Quantity:		8

Alder, Cherry, Hard Maple, Rubberwood



COR4-2

Width	Depth	Height
3"	9"	14"
Carton Quantity:		4

Alder, Cherry, Hard Maple, Rubberwood



COR4-1

Width	Depth	Height
3"	6-1/2"	10"
Carton Quantity:		8

Alder, Cherry, Hard Maple, Rubberwood



COR26-3

Width	Depth	Height
4"	9-3/4"	16"

Carton Quantity: 4

Alder, Cherry, Hard Maple,
Rubberwood



COR26-2

Width	Depth	Height
3"	7-3/4"	14"

Carton Quantity: 6

Alder, Cherry, Hard Maple,
Rubberwood



COR26-1

Width	Depth	Height
3"	5-3/4"	12"

Carton Quantity: 8

Alder, Cherry, Hard Maple,
Rubberwood

Corbels



CORG-2

Width	Depth	Height
3"	8-5/16"	14"

Carton Quantity: 12

Alder, Cherry, Hard Maple, Rubberwood, White Birch

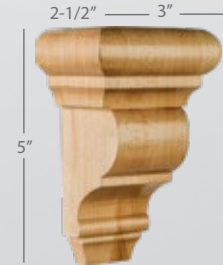


CORG

Width	Depth	Height
3"	6-1/2"	12"

Carton Quantity: 12

Alder, Cherry, Hard Maple, Oak, Rubberwood, White Birch



CORG-5

Width	Depth	Height
3"	2-1/2"	5"

Inner Carton Qty: 10

Alder, Cherry, Hard Maple, Rubberwood, White Birch



CORJ

Width	Depth	Height
3"	6-1/2"	12"

Carton Quantity: 20

Alder, Cherry, Hard Maple, Oak, Rubberwood, White Birch



CORG-3

Width	Depth	Height
3"	6-1/2"	10"

Carton Quantity: 8

Alder, Cherry, Hard Maple, Rubberwood, White Birch



CORG-4

Width	Depth	Height
3"	5-1/2"	8"

Carton Quantity: 8

Alder, Cherry, Hard Maple, Rubberwood, White Birch



CORW-3

Width	Depth	Height
3-1/2"	10"	16"

Carton Quantity: 4

Alder, Cherry, Hard Maple, Rubberwood



CORW-2

Width	Depth	Height
3"	8"	14"

Carton Quantity: 8

Alder, Cherry, Hard Maple, Rubberwood



CORW-1

Width	Depth	Height
2-1/2"	6"	12"

Carton Quantity: 12

Alder, Cherry, Hard Maple, Rubberwood

Corbels



COR25-3[†]

Width	Depth	Height
3-1/2"	8"	18"
Carton Quantity:		4

Alder, Hard Maple



COR25-2[†]

Width	Depth	Height
2-1/2"	6"	14"
Carton Quantity:		8

Alder, Hard Maple



These products are being retired.
Check availability online or call for products marked with "†".

800.463.0660 | www.HardwareResources.com

hardware
resources[®]



COR44-3

Width	Depth	Height
5"	8"	12"
Carton Quantity:		4

Alder, Cherry, Hard Maple,
Rubberwood



COR44-2

Width	Depth	Height
5"	7"	10"
Carton Quantity:		8

Alder, Cherry, Hard Maple,
Rubberwood



COR44-1

Width	Depth	Height
4"	6"	8"
Carton Quantity:		12

Alder, Cherry, Hard Maple,
Rubberwood



COR22-5

Width	Depth	Height
3"	2"	4"
Inner Carton Qty:		10

Alder, Cherry, Hard Maple, Rubberwood, White Birch



COR22-3

Width	Depth	Height
7"	12"	22"
Carton Quantity:		2

Alder, Hard Maple, Rubberwood

COR22-2

Width	Depth	Height
5"	7"	14"
Carton Quantity:		4

Alder, Cherry, Hard Maple, Rubberwood

COR22-1

Width	Depth	Height
4"	5"	10"
Carton Quantity:		8

Alder, Cherry, Hard Maple, Rubberwood



COR19-3

Width	Depth	Height
7"	6"	22"

Carton Quantity: 2

Alder, Cherry, Hard Maple, Rubberwood



COR19-2

Width	Depth	Height
6"	5"	14"

Carton Quantity: 4

Alder, Cherry, Hard Maple, Rubberwood



COR19-1

Width	Depth	Height
5"	4"	10"

Carton Quantity: 8

Alder, Cherry, Hard Maple, Rubberwood



COR20-3

Width	Depth	Height
7"	6"	22"
Carton Quantity:		2

Alder, Rubberwood



COR20-2

Width	Depth	Height
6"	5"	14"
Carton Quantity:		4

Alder, Cherry, Hard Maple,
Rubberwood



COR20-1

Width	Depth	Height
5"	4"	10"
Carton Quantity:		8

Alder, Cherry, Hard Maple,
Rubberwood



CORO-3

Width	Depth	Height
6-3/4"	7-3/4"	22"
Carton Quantity:		2

Alder, Cherry, Hard Maple, Rubberwood



CORO-4

Width	Depth	Height
5"	8"	12"
Carton Quantity:		4

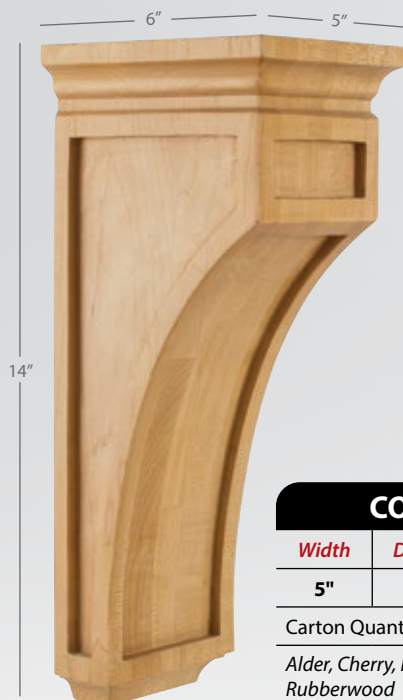
Alder, Cherry, Hard Maple, Rubberwood, White Birch



CORO-5

Width	Depth	Height
5"	7"	10"
Carton Quantity:		4

Alder, Cherry, Hard Maple, Rubberwood, White Birch



CORO-2

Width	Depth	Height
5"	6"	14"
Carton Quantity:		4

Alder, Cherry, Hard Maple, Rubberwood



CORO-6

Width	Depth	Height
3"	2"	4"
Inner Carton Qty:		10

Alder, Cherry, Hard Maple, Rubberwood, White Birch



CORH-1

Width	Depth	Height
3"	12"	12"
Carton Quantity:		4

*Alder, Cherry, Hard Maple,
Rubberwood, White Birch*



CORH

Width	Depth	Height
2-15/16"	6"	14"
Carton Quantity:		8

*Alder, Cherry, Hard Maple, Oak,
Rubberwood*



CORH-2

Width	Depth	Height
3"	6"	8"
Carton Quantity:		4

*Alder, Cherry, Hard Maple,
Rubberwood, White Birch*



COR16-A

Width	Depth	Height
2"	6"	8"
Carton Quantity:		8

Hard Maple, Rubberwood



COR16-B

Width	Depth	Height
2"	6"	8"
Carton Quantity:		8

Hard Maple, Rubberwood



CORX-1

Width	Depth	Height
4-3/8"	5"	10"
Carton Quantity:		8

Cherry, Hard Maple, Rubberwood, White Birch



CORV

Width	Depth	Height
1-7/8"	7-1/2"	10-1/2"
Carton Quantity:		20

Alder, Hard Maple, Rubberwood

Corbels



COR46-3

Width	Depth	Height
1-3/4"	9"	12"
Carton Quantity:		8

Alder, Cherry, Hard Maple, Rubberwood, White Birch



COR46-4

Width	Depth	Height
1-3/4"	10"	10-1/16"
Carton Quantity:		8

Alder, Cherry, Hard Maple, Rubberwood, White Birch



COR46-2

Width	Depth	Height
1-3/4"	7"	10"
Carton Quantity:		12

Alder, Cherry, Hard Maple, Rubberwood, White Birch



COR46

Width	Depth	Height
1-3/4"	6"	8"
Carton Quantity:		8

Alder, Cherry, Hard Maple, Rubberwood, White Birch



COR28-2

Width	Depth	Height
1-1/2"	10"	10"
Carton Quantity:		28

Alder, Cherry, Hard Maple, Oak, Rubberwood



COR28-1

Width	Depth	Height
1-1/4"	7"	7"
Carton Quantity:		56

Alder, Cherry, Hard Maple, Oak, Rubberwood



CORSM-3		
Width	Depth	Height
1-3/4"	10-1/2"	13-1/8"
Carton Quantity:		10
<i>Alder, Cherry, Hard Maple, Rubberwood</i>		



CORSM-2		
Width	Depth	Height
1-3/4"	8-1/2"	11"
Carton Quantity:		16
<i>Alder, Cherry, Hard Maple, Rubberwood</i>		



CORSM-1		
Width	Depth	Height
1-3/4"	7-1/2"	9-1/2"
Carton Quantity:		20
<i>Alder, Cherry, Hard Maple, Rubberwood</i>		



CORSQ-1		
Width	Depth	Height
1-3/4"	5"	7"
Carton Quantity:		30
<i>Alder, Cherry, Hard Maple, Rubberwood</i>		



CORSQ-2		
Width	Depth	Height
1-3/4"	7-1/2"	9-1/2"
Carton Quantity:		20
<i>Alder, Cherry, Hard Maple, Rubberwood</i>		



CORSQ-3		
Width	Depth	Height
1-3/4"	8-1/2"	11"
Carton Quantity:		16
<i>Alder, Cherry, Hard Maple, Rubberwood</i>		

Corbels



COR9-4

Width	Depth	Height
5-15/16"	18"	16"
Carton Quantity:		2

Hard Maple, Rubberwood



COR9-3

Width	Depth	Height
4-5/8"	14"	12-1/2"
Carton Quantity:		4

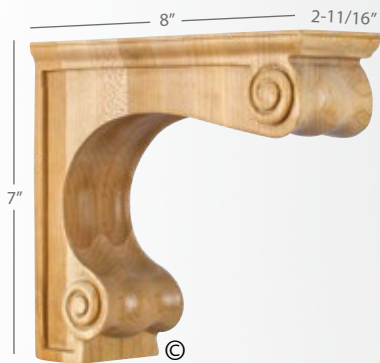
Hard Maple, Rubberwood



COR9-2

Width	Depth	Height
3-1/2"	10"	9"
Carton Quantity:		8

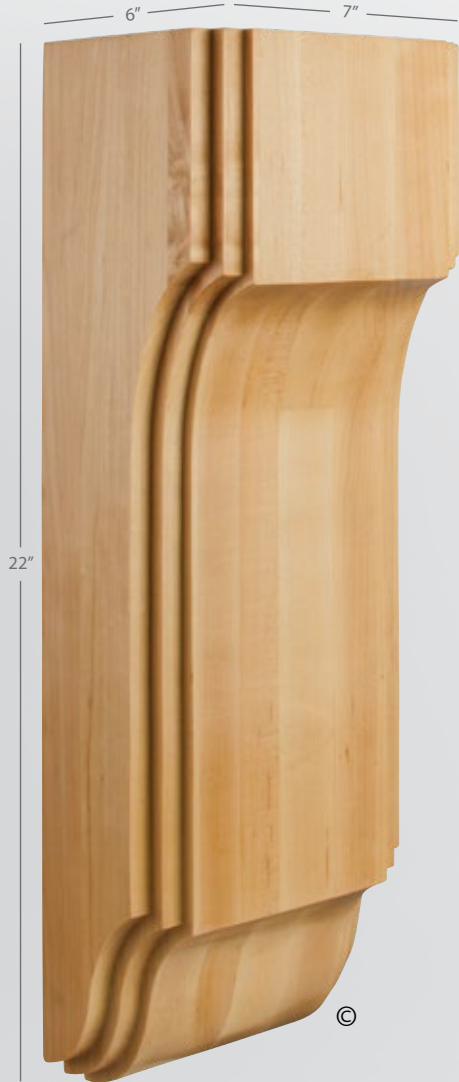
Hard Maple, Rubberwood



COR9-1

Width	Depth	Height
2-11/16"	8"	7"
Carton Quantity:		8

Hard Maple, Rubberwood



CORU-3[†]

Width	Depth	Height
7"	6"	22"
Carton Quantity:		2

Alder, Hard Maple



CORU-1[†]

Width	Depth	Height
4"	4"	10"
Carton Quantity:		8

Alder, Hard Maple



Corbels



COR32-3

Width	Depth	Height
5"	18"	18"

Carton Quantity: 2

Alder, Hard Maple, Rubberwood



COR32-2

Width	Depth	Height
5"	7"	14"

Carton Quantity: 4

Alder, Hard Maple, Rubberwood



COR32-1

Width	Depth	Height
5"	5"	9"

Carton Quantity: 8

Alder, Hard Maple, Rubberwood



COR33-3

Width	Depth	Height
5"	9"	12"
Carton Quantity:		4

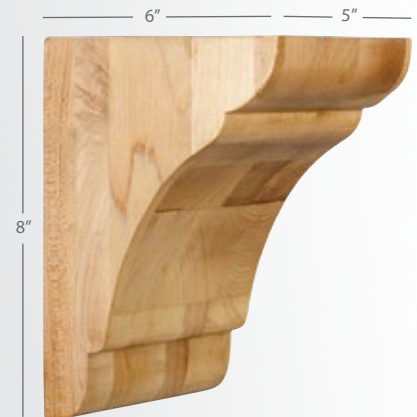
*Alder, Cherry, Hard Maple,
Rubberwood*



COR33-2

Width	Depth	Height
5"	6"	10"
Carton Quantity:		4

*Alder, Cherry, Hard Maple,
Rubberwood*



COR33-1

Width	Depth	Height
5"	6"	8"
Carton Quantity:		8

*Alder, Cherry, Hard Maple,
Rubberwood*

Corbels



CORZ-3		
Width	Depth	Height
3"	6"	18"
Carton Quantity:		12

Alder, Cherry, Hard Maple, Rubberwood, White Birch



CORZ-1		
Width	Depth	Height
3"	10"	14"
Carton Quantity:		16

Alder, Cherry, Hard Maple, Rubberwood, White Birch



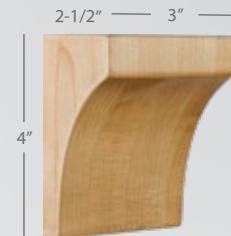
CORZ-5		
Width	Depth	Height
1-3/4"	8"	11"
Carton Quantity:		8

Alder, Cherry, Hard Maple, Rubberwood, White Birch



CORZ-2		
Width	Depth	Height
3"	8"	9"
Carton Quantity:		8

Alder, Cherry, Hard Maple, Rubberwood, White Birch



CORZ-4		
Width	Depth	Height
3"	2-1/2"	4"
Inner Carton Qty:		10

Alder, Cherry, Hard Maple, Rubberwood, White Birch



COR40[†]		
<i>Width</i>	<i>Depth</i>	<i>Height</i>
2"	8"	22"
Carton Quantity:		8

Alder, Hard Maple, Rubberwood



COR40-1[†]		
<i>Width</i>	<i>Depth</i>	<i>Height</i>
2"	8"	14"
Carton Quantity:		10

Alder, Hard Maple



Corbels



CORM-2		
Width	Depth	Height
2"	9"	14"
Carton Quantity:		8

Alder, Cherry, Hard Maple, Rubberwood, White Birch



CORM-1		
Width	Depth	Height
2"	8"	12"
Carton Quantity:		8

Alder, Cherry, Hard Maple, Rubberwood, White Birch



CORM		
Width	Depth	Height
2"	7-1/2"	10-1/2"
Carton Quantity:		8

Alder, Hard Maple, Rubberwood, White Birch



CORM-3		
Width	Depth	Height
3"	7-5/8"	10-1/2"
Carton Quantity:		16

Alder, Hard Maple, Rubberwood, White Birch



COR8-2		
<i>Width</i>	<i>Depth</i>	<i>Height</i>
2-1/2"	12"	12"
Carton Quantity:		20

Alder, Hard Maple, Rubberwood, White Birch



COR8-1		
<i>Width</i>	<i>Depth</i>	<i>Height</i>
2-1/2"	8"	8"
Carton Quantity:		20

Cherry, Rubberwood, White Birch



COR8-6		
<i>Width</i>	<i>Depth</i>	<i>Height</i>
2-1/2"	6"	8"
Carton Quantity:		20

Rubberwood, White Birch



COR8-6.5		
<i>Width</i>	<i>Depth</i>	<i>Height</i>
2-1/2"	6"	6"
Carton Quantity:		20

Rubberwood, White Birch

Corbels



COR38-3		
Width	Depth	Height
3"	8"	14"
Carton Quantity:		12
<i>Alder, Cherry, Hard Maple, Rubberwood</i>		



COR38		
Width	Depth	Height
3"	6-1/2"	12"
Carton Quantity:		12
<i>Alder, Cherry, Hard Maple, Rubberwood</i>		



COR38-2		
Width	Depth	Height
3"	6-1/2"	10"
Carton Quantity:		8
<i>Alder, Cherry, Hard Maple, Rubberwood</i>		



COR38-1		
Width	Depth	Height
3"	6-1/2"	8"
Carton Quantity:		12
<i>Alder, Cherry, Hard Maple, Rubberwood</i>		



COR39-3		
Width	Depth	Height
3"	8"	14"
Carton Quantity:		12

Alder, Cherry, Hard Maple, Rubberwood



COR39		
Width	Depth	Height
3"	6-1/2"	12"
Carton Quantity:		12

Alder, Cherry, Hard Maple, Rubberwood



COR39-2		
Width	Depth	Height
3"	6-1/2"	10"
Carton Quantity:		8

Alder, Cherry, Hard Maple, Rubberwood



COR39-1		
Width	Depth	Height
3"	6-1/2"	8"
Carton Quantity:		12

Alder, Cherry, Hard Maple, Rubberwood



CORT-S

Width	Depth	Height
3-1/2"	8"	11-13/16"

Carton Quantity: 8

Alder, Cherry, Hard Maple, Rubberwood



CORT-P

Width	Depth	Height
3-1/2"	8"	11-13/16"

Carton Quantity: 8

Alder, Cherry, Hard Maple, Rubberwood



CORT-F

Width	Depth	Height
3-1/2"	8"	11-13/16"

Carton Quantity: 8

Alder, Cherry, Hard Maple, Rubberwood



COR42-3[†]

Width	Depth	Height
5"	8"	12"
Carton Quantity:		4

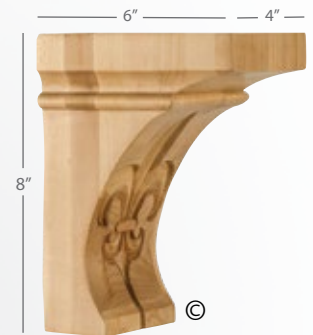
Alder



COR42-2[†]

Width	Depth	Height
5"	7"	10"
Carton Quantity:		8

Alder



COR42-1[†]

Width	Depth	Height
4"	6"	8"
Carton Quantity:		12

Alder



COR43-3[†]

Width	Depth	Height
5"	8"	12"
Carton Quantity:		4

Rubberwood



COR43-2[†]

Width	Depth	Height
5"	7"	10"
Carton Quantity:		8

Alder, Rubberwood



COR43-1[†]

Width	Depth	Height
4"	6"	8"
Carton Quantity:		12

Alder, Hard Maple





COR23-3

Width	Depth	Height
7"	7"	22"
Carton Quantity:		2

Alder, Hard Maple, Rubberwood

COR23-2

Width	Depth	Height
6"	4"	14"
Carton Quantity:		4

Alder, Cherry, Hard Maple,
Rubberwood

COR23-1

Width	Depth	Height
5"	3"	10"
Carton Quantity:		8

Alder, Cherry, Hard Maple,
Rubberwood



COR24-3[†]		
<i>Width</i>	<i>Depth</i>	<i>Height</i>
7"	9"	21"
Carton Quantity:		2

Alder



COR24-2[†]		
<i>Width</i>	<i>Depth</i>	<i>Height</i>
5"	7"	14"
Carton Quantity:		4

Rubberwood



COR24-1[†]		
<i>Width</i>	<i>Depth</i>	<i>Height</i>
4"	5"	10"
Carton Quantity:		8

Rubberwood



Corbels



COR5-5

Width	Depth	Height
2"	16-7/8"	22"
Carton Quantity:		4
Alder, Rubberwood		

COR5-4

Width	Depth	Height
2"	10-11/16"	14"
Carton Quantity:		4
Alder, Cherry, Hard Maple, Rubberwood		

COR5-3

Width	Depth	Height
2"	7-5/8"	10"
Carton Quantity:		8
Alder, Cherry, Hard Maple, Rubberwood		

COR5-2

Width	Depth	Height
2"	6"	8"
Carton Quantity:		8
Alder, Cherry, Hard Maple, Rubberwood		

COR5-1

Width	Depth	Height
2"	4-5/8"	6"
Carton Quantity:		16
Alder, Cherry, Hard Maple, Rubberwood		



COR6-3

Width	Depth	Height
3"	11-5/16"	14"
Carton Quantity:		4

Alder, Cherry, Hard Maple, Rubberwood



COR6-2

Width	Depth	Height
3"	8"	10"
Carton Quantity:		8

Alder, Cherry, Hard Maple, Rubberwood



COR6-1

Width	Depth	Height
3"	6-3/8"	8"
Carton Quantity:		8

Alder, Cherry, Hard Maple, Rubberwood

Corbels



COR41-1

Width	Depth	Height
4"	6"	8"

Carton Quantity: 4

Alder, Cherry, Hard Maple



COR41-2

Width	Depth	Height
5"	7"	10"

Carton Quantity: 8

Alder, Cherry, Hard Maple



COR41-3

Width	Depth	Height
5"	8"	12"

Carton Quantity: 4

Alder, Cherry, Hard Maple



COR47-3

Width	Depth	Height
5"	8-1/16"	12"
Carton Quantity:		4

Alder, Cherry, Hard Maple, Rubberwood, White Birch



COR47-2

Width	Depth	Height
4"	7"	10"
Carton Quantity:		8

Alder, Cherry, Hard Maple, Rubberwood, White Birch



COR47-1

Width	Depth	Height
3"	6"	8"
Carton Quantity:		12

Alder, Cherry, Hard Maple, Rubberwood, White Birch



COR36-1

Width	Depth	Height
4"	6"	8"
Carton Quantity:		12

Alder, Cherry, Hard Maple, Rubberwood



COR36-2

Width	Depth	Height
5"	7"	10"
Carton Quantity:		8

Alder, Cherry, Hard Maple, Rubberwood

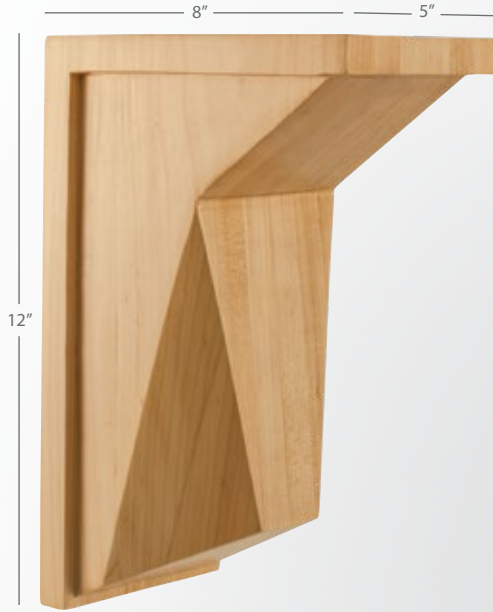


COR36-3

Width	Depth	Height
5"	8"	12"
Carton Quantity:		4

Alder, Cherry, Hard Maple, Rubberwood

Corbels



COR35-3 [†]		
Width	Depth	Height
5"	8"	12"
Carton Quantity:		4
<i>Hard Maple, Rubberwood</i>		




COR35-2 [†]		
Width	Depth	Height
5"	7"	10"
Carton Quantity:		8
<i>Rubberwood</i>		



COR35-1 [†]		
Width	Depth	Height
4"	6"	8"
Carton Quantity:		12
<i>Rubberwood</i>		



COR37-1 [†]		
Width	Depth	Height
4"	6"	8"
Carton Quantity:		12
<i>Alder, Rubberwood</i>		

 These products are being retired.
Check availability online or call for products marked with "†".

800.463.0660 | www.HardwareResources.com

hardware
resources[®]



COR34-3 [†]		
Width	Depth	Height
5"	8"	12"
Carton Quantity:		4

Cherry, Hard Maple, Rubberwood



COR34-2 [†]		
Width	Depth	Height
5"	7"	10"
Carton Quantity:		8

Alder, Hard Maple



COR34-1 [†]		
Width	Depth	Height
4"	6"	8"
Carton Quantity:		12

Alder



COR45-1 [†]		
Width	Depth	Height
4"	6"	8"
Carton Quantity:		12

Hard Maple, Rubberwood



COR45-2 [†]		
Width	Depth	Height
5"	7"	10"
Carton Quantity:		8

Alder



COR45-3 [†]		
Width	Depth	Height
5"	8"	12"
Carton Quantity:		4

Alder, Hard Maple



L-Shaped Countertop Support Brackets



The L-shaped countertop support bracket is designed to provide extra support when mounted over the knee wall. Uniquely designed with holes on both sides, the L-support bracket provides the user options for the most optimal installation results. This item has a weight rating of 150 lb.

CTOPSUP10-L

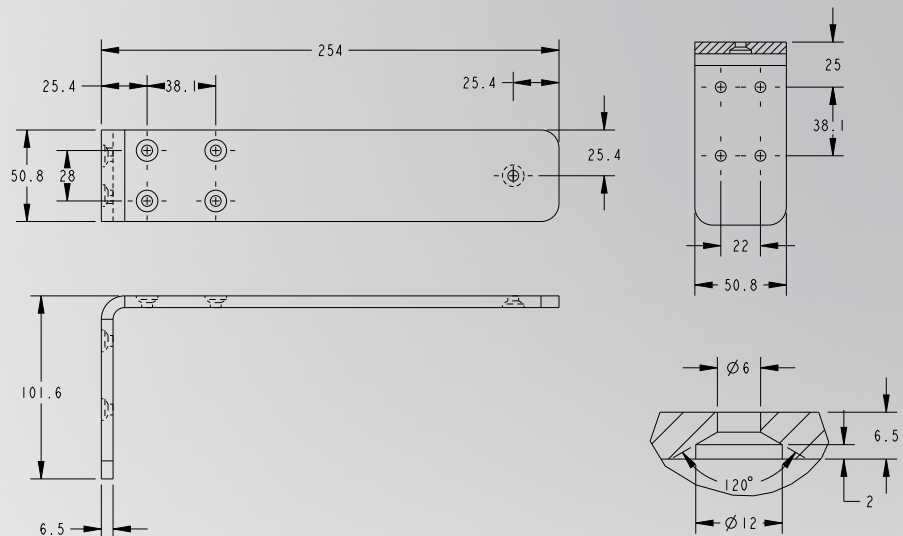


Horizontal Dimensions:

10" x 2" x 1/4"

Vertical Dimensions:

4" x 2" x 1/4"

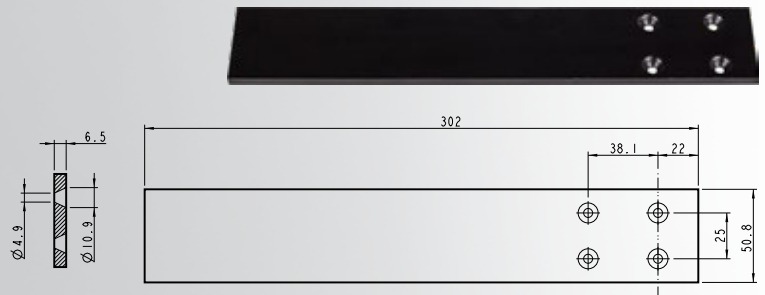




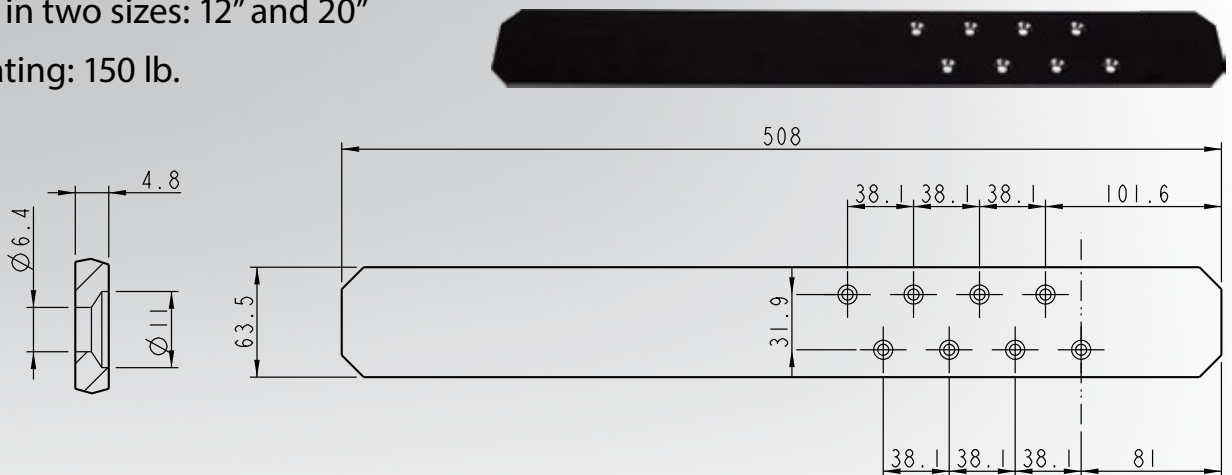
Create a floating countertop or bar top with concealed support brackets.

- Support brackets are mounted under the countertop for a clean, modern look
- Can be used to support the weight of the countertop in lieu of corbels and posts
- Attach directly to the knee wall for optimal support
- Available in two sizes: 12" and 20"
- Weight rating: 150 lb.

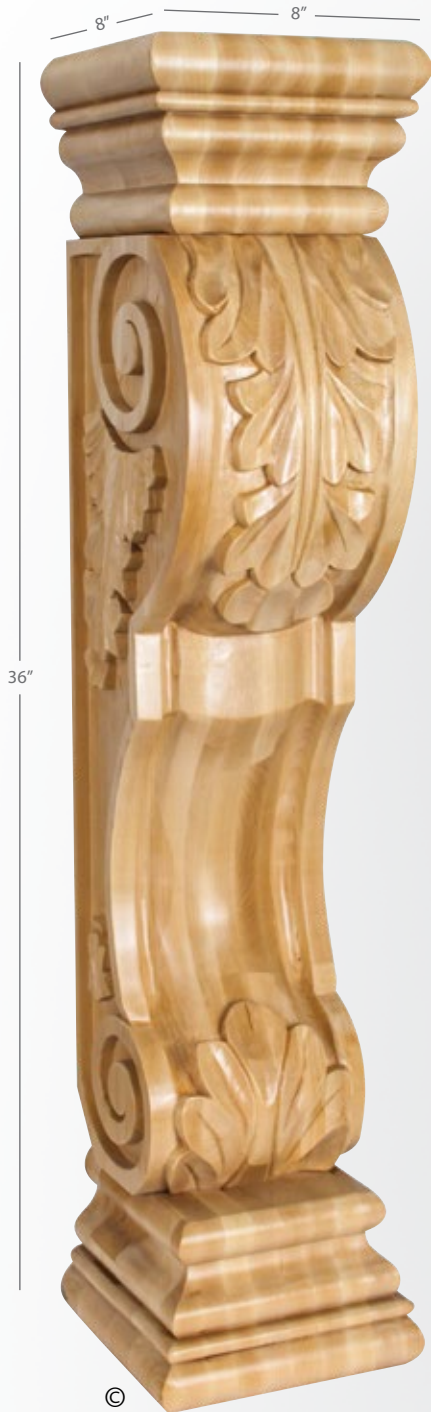
CTOPSUP12



CTOPSUP20



Fireplace Corbels



FCORB

Width	Depth	Height
8"	8"	36"

Carton Quantity: 1

*Alder, Cherry, Hard Maple,
Rubberwood*



FCORQ

Width	Depth	Height
8"	8"	36"

Carton Quantity: 1

*Alder, Cherry, Hard Maple,
Rubberwood*

Fireplace Corbels

Wood
Products



©

FCOR5

Width	Depth	Height
8"	8"	36"

Carton Quantity: 1

Alder, Cherry, Hard Maple,
Rubberwood



©

FCOR6

Width	Depth	Height
8"	8"	36"

Carton Quantity: 1

Alder, Hard Maple, Rubberwood

Fireplace Corbels



©

FCORE		
Width	Depth	Height
8"	6-1/2"	36"
Carton Quantity:		1

Alder, Hard Maple, Rubberwood



©

FCOR4		
Width	Depth	Height
6"	8"	36"
Carton Quantity:		1

Rubberwood

Fireplace Corbels

Wood
Products



©

FCORV

Width	Depth	Height
8"	7"	36"

Carton Quantity: 1

Alder, Cherry, Hard Maple,
Rubberwood



©

FCOR21

Width	Depth	Height
8"	6"	36"

Carton Quantity: 1

Alder, Cherry, Hard Maple,
Rubberwood

Capitals



CAP4

Width	Depth	Height
8"	1-3/4"	8"

Carton Quantity: 20

Alder, Cherry, Hard Maple, Rubberwood



CAP3

Width	Depth	Height
6"	1-1/4"	6"

Carton Quantity: 50

Alder, Cherry, Hard Maple, Oak, Rubberwood



CAP2

Width	Depth	Height
4-3/4"	1-1/4"	4-3/4"

Carton Quantity: 50

Alder, Cherry, Hard Maple, Oak, Rubberwood



CAP1

Width	Depth	Height
3-7/8"	1"	3-1/2"

Carton Quantity: 50

Cherry, Hard Maple, Rubberwood



CAP5

Width	Depth	Height
4-3/8"	2-1/8"	4-3/4"

Carton Quantity: 50

Cherry, Hard Maple, Rubberwood



CAP6-250

Width	Depth	Height
4-7/16"	2-3/16"	5-7/8"

Carton Quantity: 100

Alder, Cherry, Hard Maple, Oak, Rubberwood



CAP6-2

Width	Depth	Height
3-7/16"	1-3/4"	4-13/16"

Carton Quantity: 100

Alder, Cherry, Hard Maple, Oak, Rubberwood



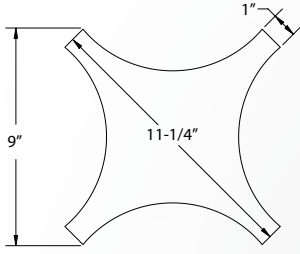
CAP6-150

Width	Depth	Height
2-5/8"	1-5/16"	3-5/8"

Carton Quantity: 100

Alder, Cherry, Hard Maple, Oak, Rubberwood

Capitals



FC1

Width	Depth	Height
9"	9"	7"

Carton Quantity: 2
Alder, Cherry, Hard Maple, Rubberwood



FPB1

Width	Depth	Height
5-1/16"	5"	7-1/16"

Carton Quantity: 8
Alder, Cherry, Hard Maple, Rubberwood



PC-2

Width	Depth	Height
6"	2"	3"

Carton Quantity: 50
Cherry, Hard Maple, Rubberwood



PC-1

Width	Depth	Height
6"	1-7/8"	3"

Carton Quantity: 50
Cherry, Hard Maple, Rubberwood



PC-3

Width	Depth	Height
6"	2"	3"

Carton Quantity: 50
Cherry, Hard Maple, Rubberwood



FP1

Width	Depth	Height
5"	5"	35"

Carton Quantity: 2
Alder, Cherry, Hard Maple, Rubberwood

Capitals, Onlays & Appliqués

Wood
Products



MRH-1-72

Width	Depth	Height
73"	30-1/2"	9-13/16"
Carton Quantity:		1

Hard Maple



AP001

Width	Depth	Height
40"	1-1/2"	5"
Carton Quantity:		5

Rubberwood, White Birch



ONL-01-20

Width	Depth	Height
20"	3/4"	4"
Carton Quantity:		10

Cherry, Hard Maple, Oak,
Rubberwood

ONL-01-24

Width	Depth	Height
24"	3/4"	5"
Carton Quantity:		10

Cherry, Hard Maple, Oak,
Rubberwood

ONL-01-36

Width	Depth	Height
36"	1"	7-3/4"
Carton Quantity:		10

Cherry, Hard Maple,
Rubberwood

Onlays & Appliqués

APL-02-20

Width	Depth	Height
20"	1/4"	5-1/2"
Carton Quantity:		50

Cherry, Hard Maple



PONL-02-20

Width	Depth	Height
20-1/8"	5/16"	5-3/8"
Carton Quantity:		50

Embossed Rubberwood



ONL-02-16

Width	Depth	Height
15-1/4"	1/2"	3-1/4"
Carton Quantity:		50

Cherry, Hard Maple,
Rubberwood



ONL-02-20

Width	Depth	Height
20"	3/4"	4"
Carton Quantity:		10

Alder, Cherry, Hard Maple, Oak,
Rubberwood

ONL-02-24

Width	Depth	Height
24"	3/4"	5"
Carton Quantity:		10

Alder, Cherry, Hard Maple, Oak,
Rubberwood

ONL-02-36

Width	Depth	Height
36-7/16"	1"	7-1/2"
Carton Quantity:		10

Alder, Cherry, Hard Maple,
Rubberwood

APL-04-20

Width	Depth	Height
20"	1/4"	4-1/2"
Carton Quantity:		50

Cherry, Hard Maple



PONL-04-20

Width	Depth	Height
20-1/4"	5/16"	4-1/2"
Carton Quantity:		50

Embossed Rubberwood



ONL-08-20

Width	Depth	Height
20"	7/8"	4-3/16"
Carton Quantity:		10

Alder, Cherry, Hard Maple,
Rubberwood

ONL-08-24

Width	Depth	Height
24"	7/8"	5-3/16"
Carton Quantity:		10

Alder, Cherry, Hard Maple,
Rubberwood

ONL-08-36

Width	Depth	Height
36-7/16"	7/8"	7-1/2"
Carton Quantity:		10

Alder, Cherry, Hard Maple,
Rubberwood

PONL-08-20

Width	Depth	Height
20"	5/16"	4-3/16"
Carton Quantity:		25

Embossed Rubberwood

Onlays & Appliqués



©

ONL-09-20

Width	Depth	Height
19-15/16"	3/4"	3-5/8"
Carton Quantity:		10

Alder, Cherry, Hard Maple, Rubberwood

ONL-09-24

Width	Depth	Height
24"	3/4"	4-3/8"
Carton Quantity:		10

Alder, Cherry, Hard Maple, Rubberwood



ONL-10-20

Width	Depth	Height
20"	1"	4-1/8"
Carton Quantity:		10

Alder, Cherry, Hard Maple, Rubberwood, White Birch

ONL-10-24

Width	Depth	Height
24"	1-1/8"	5"
Carton Quantity:		10

Alder, Cherry, Hard Maple, Rubberwood, White Birch

ONL-10-36

Width	Depth	Height
36"	1-1/4"	7-1/2"
Carton Quantity:		10

Alder, Cherry, Hard Maple, Rubberwood, White Birch

ONL-04-20

Width	Depth	Height
20"	3/4"	5-3/4"
Carton Quantity:		10

Cherry, Hard Maple, Rubberwood

ONL-04-24

Width	Depth	Height
24"	7/8"	6-7/8"
Carton Quantity:		10

Cherry, Hard Maple, Rubberwood



©

ONL-07-20

<i>Width</i>	<i>Depth</i>	<i>Height</i>
20"	3/4"	5-5/8"
Carton Quantity:		10

Cherry, Hard Maple,
Rubberwood



MONL-01BLK[†]

<i>Width</i>	<i>Depth</i>	<i>Height</i>
25"	1/2"	5-3/8"
Carton Quantity:		5

Finish

Black

screws included



Onlays & Appliqués



ONL-06-L

Width	Depth	Height
10"	3/4"	3-1/2"
Carton Quantity:		30

*Cherry, Hard Maple,
Rubberwood*



ONL-06-R

Width	Depth	Height
10"	3/4"	3-1/2"
Carton Quantity:		30

*Cherry, Hard Maple,
Rubberwood*



APL-05-L

Width	Depth	Height
10-3/8"	1/4"	3-1/4"
Carton Quantity:		50

Cherry, Hard Maple



APL-05-R

Width	Depth	Height
10-3/8"	1/4"	3-1/4"
Carton Quantity:		50

Cherry, Hard Maple



PAPL-05-L

Width	Depth	Height
10-1/2"	5/16"	3-1/4"
Carton Quantity:		50

Embossed Rubberwood



PAPL-05-R

Width	Depth	Height
10-1/2"	5/16"	3-1/4"
Carton Quantity:		50

Embossed Rubberwood

Onlays & Appliqués

Wood
Products



APL-11-L

Width	Depth	Height
10-5/8"	1/4"	4"
Carton Quantity:		50

Cherry, Hard Maple



APL-11-R

Width	Depth	Height
10-5/8"	1/4"	4"
Carton Quantity:		50

Cherry, Hard Maple



PAPL-11-L

Width	Depth	Height
10-5/8"	5/16"	4-3/8"
Carton Quantity:		50

Embossed Rubberwood



PAPL-11-R

Width	Depth	Height
10-5/8"	5/16"	4-3/8"
Carton Quantity:		50

Embossed Rubberwood



APL-10-L

Width	Depth	Height
12-1/4"	1/4"	3"
Carton Quantity:		50

Cherry, Hard Maple



APL-10-R

Width	Depth	Height
12-1/4"	1/4"	3"
Carton Quantity:		50

Cherry, Hard Maple



PAPL-10-L

Width	Depth	Height
12-1/4"	5/16"	3"
Carton Quantity:		50

Embossed Rubberwood



PAPL-10-R

Width	Depth	Height
12-1/4"	5/16"	3"
Carton Quantity:		50

Embossed Rubberwood

Onlays & Appliqués



APL-06

PAPL-06

APL-07

PAPL-07

Width	Depth	Height
2-1/2"	1/2"	2-3/4"
Carton Quantity:		100

Width	Depth	Height
2-1/2"	5/16"	2-3/4"
Carton Quantity:		50

Width	Depth	Height
3-1/8"	1/2"	2-7/8"
Carton Quantity:		100

Width	Depth	Height
3-1/4"	5-16"	3"
Carton Quantity:		50

Cherry, Hard Maple

Embossed Rubberwood

Cherry, Hard Maple

Embossed Rubberwood



APL-08

PAPL-08

APL-09

PAPL-09

Width	Depth	Height
3-1/4"	5/8"	4-3/8"
Carton Quantity:		100

Width	Depth	Height
3-1/4"	5/16"	4-3/8"
Carton Quantity:		50

Width	Depth	Height
3-1/4"	3/4"	3-3/4"
Carton Quantity:		100

Width	Depth	Height
3-1/4"	5/16"	3-3/4"
Carton Quantity:		50

Cherry, Hard Maple

Embossed Rubberwood

Cherry, Hard Maple

Embossed Rubberwood



APL-13

PAPL-13

Width	Depth	Height
3-5/8"	3/4"	4-1/4"
Carton Quantity:		100

Width	Depth	Height
3-5/8"	5/16"	4-1/4"
Carton Quantity:		50

Cherry, Hard Maple

Embossed Rubberwood



APL-14

Width	Depth	Height
3-3/4"	1/2"	4-1/8"
Carton Quantity:		100

Alder, Cherry, Hard Maple



APL-14-5

Width	Depth	Height
4-5/8"	1/2"	5"
Carton Quantity:		100

Alder, Cherry, Hard Maple, Rubberwood



PAPL-14

Width	Depth	Height
3-3/4"	5/16"	4-1/4"
Carton Quantity:		50

Embossed Rubberwood



APL-12-L

Width	Depth	Height
3-3/4"	3/8"	4-1/2"
Carton Quantity:		150

Cherry, Hard Maple



APL-12-R

Width	Depth	Height
3-3/4"	3/8"	4-1/2"
Carton Quantity:		150

Cherry, Hard Maple



PAPL-12-L

Width	Depth	Height
3-3/4"	5/16"	4-1/2"
Carton Quantity:		150

Embossed Rubberwood

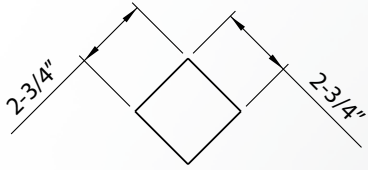


PAPL-12-R

Width	Depth	Height
3-3/4"	5/16"	4-1/2"
Carton Quantity:		150

Embossed Rubberwood

Corner Posts



CP-1		
Width	Depth	Height
2-3/4"	2-3/4"	35-1/2"
Carton Quantity:		6

Alder, Cherry, Hard Maple, Oak, Rubberwood

CP-1-42		
Width	Depth	Height
2-3/4"	2-3/4"	42"
Carton Quantity:		4

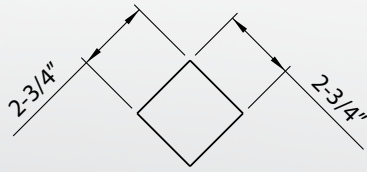
Alder, Cherry, Hard Maple, Oak, Rubberwood

CP-1-84		
Width	Depth	Height
2-3/4"	2-3/4"	84"
Carton Quantity:		4

Alder, Cherry, Hard Maple

CP-1-96		
Width	Depth	Height
2-3/4"	2-3/4"	96"
Carton Quantity:		4

Alder, Cherry, Hard Maple



CP-2

Width	Depth	Height
2-3/4"	2-3/4"	35-1/2"

Carton Quantity: 6

Alder, Cherry, Hard Maple, Oak, Rubberwood

CP-2-42

Width	Depth	Height
2-3/4"	2-3/4"	42"

Carton Quantity: 4

Cherry, Hard Maple, Rubberwood

CP-2-84

Width	Depth	Height
2-3/4"	2-3/4"	84"

Carton Quantity: 4

Cherry, Hard Maple

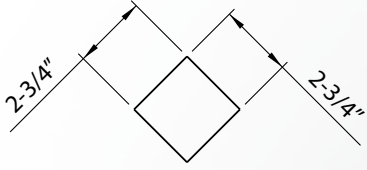
CP-2-96

Width	Depth	Height
2-3/4"	2-3/4"	96"

Carton Quantity: 4

Cherry, Hard Maple

Corner Posts



CP-3		
Width	Depth	Height
2-3/4"	2-3/4"	35-1/2"
Carton Quantity:		6
Alder, Cherry, Hard Maple, Oak, Rubberwood		

CP-3-42		
Width	Depth	Height
2-3/4"	2-3/4"	42"
Carton Quantity:		4
Cherry, Hard Maple, Oak, Rubberwood		

CP-3-84		
Width	Depth	Height
2-3/4"	2-3/4"	84"
Carton Quantity:		4
Cherry, Hard Maple		

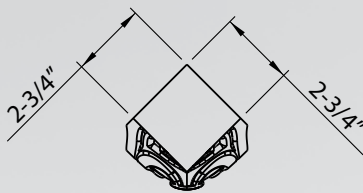
CP-3-96		
Width	Depth	Height
2-3/4"	2-3/4"	96"
Carton Quantity:		4
Cherry, Hard Maple		

Corner Legs

Wood
Products



35-1/4"



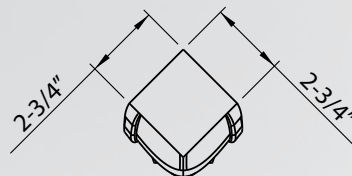
CL-1

Width	Depth	Height
2-3/4"	2-3/4"	35-1/4"
Carton Quantity:		4

Alder, Cherry, Hard Maple,
Rubberwood



35-1/4"



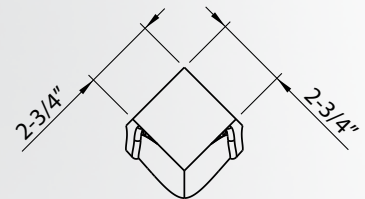
CL-3

Width	Depth	Height
2-3/4"	2-3/4"	35-1/4"
Carton Quantity:		4

Alder, Cherry, Hard Maple,
Rubberwood



35-1/4"



CL-2

Width	Depth	Height
2-3/4"	2-3/4"	35-1/4"
Carton Quantity:		4

Alder, Cherry, Hard Maple,
Rubberwood

Corner Legs



LEGB-1		
Width	Depth	Height
2-1/2"	2-1/2"	31"
Carton Quantity:		4
<i>Hard Maple, Rubberwood</i>		

LEGB-2		
Width	Depth	Height
2-1/2"	2-1/2"	35-1/2"
Carton Quantity:		4
<i>Hard Maple, Rubberwood</i>		

LEGC-1		
Width	Depth	Height
5"	2-1/2"	31"
Carton Quantity:		4
<i>Hard Maple, Rubberwood</i>		

LEGC-2		
Width	Depth	Height
5"	2-1/2"	35-1/2"
Carton Quantity:		4
<i>Hard Maple, Rubberwood</i>		



LEGA-1		
Width	Depth	Height
2-1/2"	2-1/2"	31"
Carton Quantity:		4
Rubberwood		



LEGA-2		
Width	Depth	Height
2-1/2"	2-1/2"	35-1/2"
Carton Quantity:		4
Hard Maple, Rubberwood		



LEGD-1		
Width	Depth	Height
2-3/4"	2-3/4"	31"
Carton Quantity:		4
Hard Maple, Rubberwood		



LEGD-2		
Width	Depth	Height
3-1/2"	3-1/2"	35-1/2"
Carton Quantity:		4
Hard Maple, Rubberwood		

Post Sleeves



POSL-3[†]

Width	Depth	Height
5-1/8"	5-1/8"	9-3/4"
Carton Quantity:		6

Alder, Hard Maple, Rubberwood



POSL-5[†]

Width	Depth	Height
6-5/8"	6-5/8"	9-3/4"
Carton Quantity:		4

*Alder, Hard Maple,
Rubberwood, White Birch*



POSL-6[†]

Width	Depth	Height
7-5/8"	7-5/8"	9-3/4"
Carton Quantity:		4

Rubberwood



POSLB-3[†]

Width	Depth	Height
6-3/8"	6-3/8"	9-3/4"
Carton Quantity:		6

Hard Maple, Rubberwood



POSLB-5[†]

Width	Depth	Height
7-7/8"	7-7/8"	9-3/4"
Carton Quantity:		4

Rubberwood, White Birch



POSLB-6[†]

Width	Depth	Height
8-7/8"	8-7/8"	9-3/4"
Carton Quantity:		4

Cherry



These products are being retired.
Check availability online or call for products marked with "†".

Post
+ Post sleeve
+ Wood block
+ Trim moulding
**ENDLESS
POSSIBILITIES**



Wood block not included
Trim mouldings sold separately

Posts



P13-5-42 shown

[276]

800.463.0660 | www.HardwareResources.com

hardware
resources[®]



P81

Width	Depth	Height
3-1/2"	3-1/2"	35-1/2"
Carton Quantity:		4

Alder, Cherry, Hard Maple, Rubberwood, White Birch

P81-5

Width	Depth	Height
5"	5"	35-1/2"
Carton Quantity:		2

Alder, Cherry, Hard Maple, Rubberwood, White Birch

P81-5-42

Width	Depth	Height
5"	5"	42"
Carton Quantity:		2

Alder, Cherry, Hard Maple, Rubberwood, White Birch

P81-6

Width	Depth	Height
6"	6"	35-1/2"
Carton Quantity:		1

Alder, Cherry, Hard Maple, Rubberwood, White Birch

P81-6-42

Width	Depth	Height
6"	6"	42"
Carton Quantity:		1

Alder, Cherry, Hard Maple, Rubberwood, White Birch

Posts

P1S (split)

Width	Depth	Height
3-1/2"	1-3/4"	35-1/2"



P1-3

Width	Depth	Height
3"	3"	35-1/2"
Carton Quantity:		4

Alder, Cherry, Hard Maple, Rubberwood

P1

Width	Depth	Height
3-1/2"	3-1/2"	35-1/2"
Carton Quantity:		4

Alder, Cherry, Hard Maple, Oak, Rubberwood, White Birch

P1-3-42

Width	Depth	Height
3"	3"	42"
Carton Quantity:		4

Rubberwood

P1-42

Width	Depth	Height
3-1/2"	3-1/2"	42"
Carton Quantity:		4

Alder, Cherry, Hard Maple, Rubberwood



P1-5-36

Width	Depth	Height
5"	5"	35-1/2"
Carton Quantity:		2

Alder, Cherry, Hard Maple, Rubberwood, White Birch

P1-5-42

Width	Depth	Height
5"	5"	42"
Carton Quantity:		2

Alder, Cherry, Hard Maple, Rubberwood, White Birch

P1-6

Width	Depth	Height
6"	6"	35-1/2"
Carton Quantity:		1

Alder, Cherry, Hard Maple, Rubberwood, White Birch

P1-6-42

Width	Depth	Height
6"	6"	42"
Carton Quantity:		1

Alder, Cherry, Hard Maple, Rubberwood, White Birch

Posts



P23-3.5

Width	Depth	Height
3-1/2"	3-1/2"	35-1/2"
Carton Quantity:		4

Alder, Cherry, Hard Maple, Rubberwood, White Birch

P23

Width	Depth	Height
4"	4"	35-1/2"
Carton Quantity:		4

Alder, Cherry, Hard Maple, Rubberwood

P23-5

Width	Depth	Height
5"	5"	35-1/2"
Carton Quantity:		2

Alder, Cherry, Hard Maple, Rubberwood, White Birch

P23-5-42

Width	Depth	Height
5"	5"	42"
Carton Quantity:		2

Alder, Cherry, Hard Maple, Rubberwood, White Birch



P29-3.5		
Width	Depth	Height
3-1/2"	3-1/2"	35-1/2"
Carton Quantity:		4
Alder, Cherry, Hard Maple, Rubberwood, White Birch		

P28		
Width	Depth	Height
3-3/4"	3-3/4"	35-1/2"
Carton Quantity:		4
Alder, Cherry, Hard Maple, Rubberwood		

P28-42		
Width	Depth	Height
3-3/4"	3-3/4"	42"
Carton Quantity:		4
Alder, Cherry, Hard Maple, Rubberwood		

P29		
Width	Depth	Height
5"	5"	35-1/2"
Carton Quantity:		2
Alder, Cherry, Hard Maple, Rubberwood		

P29-42		
Width	Depth	Height
5"	5"	42"
Carton Quantity:		2
Alder, Cherry, Hard Maple, Rubberwood		

Posts



P4

Width	Depth	Height
3-3/4"	3-3/4"	35-1/2"
Carton Quantity:		4

Alder, Hard Maple, Rubberwood

P4-2

Width	Depth	Height
3-3/4"	3-3/4"	35-1/2"
Carton Quantity:		4

Alder, Hard Maple, Rubberwood

P6

Width	Depth	Height
3-3/4"	3-3/4"	35-1/2"
Carton Quantity:		4

Alder, Cherry, Hard Maple, Rubberwood

P15

Width	Depth	Height
4-1/2"	4-1/2"	35-1/2"
Carton Quantity:		4

Alder, Hard Maple, Rubberwood

P16

Width	Depth	Height
4-1/2"	4-1/2"	35-1/2"
Carton Quantity:		4

Hard Maple, Rubberwood



P26-1		
<i>Width</i>	<i>Depth</i>	<i>Height</i>
3"	3"	35-1/2"
Carton Quantity:		6
<i>Rubberwood, White Birch</i>		

P26-2		
<i>Width</i>	<i>Depth</i>	<i>Height</i>
6"	6"	35-1/2"
Carton Quantity:		1
<i>Rubberwood, White Birch</i>		

P26-3		
<i>Width</i>	<i>Depth</i>	<i>Height</i>
8"	8"	35-1/2"
Carton Quantity:		1
<i>Rubberwood, White Birch</i>		



P14-3.5		
Width	Depth	Height
3-1/2"	3-1/2"	35-1/2"
Carton Quantity:		4

Alder, Cherry, Hard Maple, Rubberwood, White Birch

P14		
Width	Depth	Height
4-1/2"	4-1/2"	35-1/2"
Carton Quantity:		4

Alder, Hard Maple, Rubberwood

P19		
Width	Depth	Height
4-1/2"	4-1/2"	35-1/2"
Carton Quantity:		4

Hard Maple, Rubberwood

P22		
Width	Depth	Height
3-1/2"	3-1/2"	35-1/2"
Carton Quantity:		4

Cherry, Hard Maple, Oak, Rubberwood



P2-3		
Width	Depth	Height
3"	3"	35-1/2"
Carton Quantity:		4

Alder, Hard Maple, Rubberwood



P2-3-42		
Width	Depth	Height
3"	3"	42"
Carton Quantity:		4

Rubberwood

P2S (split)		
Width	Depth	Height
3-1/2"	1-3/4"	35-1/2"



P2		
Width	Depth	Height
3-1/2"	3-1/2"	35-1/2"
Carton Quantity:		4

Alder, Cherry, Hard Maple, Oak, Rubberwood

Posts



P2-42

Width	Depth	Height
3-1/2"	3-1/2"	42"
Carton Quantity:		4

Alder, Cherry, Hard Maple, Rubberwood

P20

Width	Depth	Height
5"	5"	35-1/2"
Carton Quantity:		2

Alder, Cherry, Hard Maple, Rubberwood, White Birch

P20-5-42

Width	Depth	Height
5"	5"	42"
Carton Quantity:		2

Alder, Cherry, Hard Maple, Rubberwood, White Birch

P3S (split)		
Width	Depth	Height
3-1/2"	1-3/4"	35-1/2"



P3-3		
Width	Depth	Height
3"	3"	35-1/2"
Carton Quantity:		4
<i>Alder, Cherry, Hard Maple, Rubberwood</i>		

P3		
Width	Depth	Height
3-1/2"	3-1/2"	35-1/2"
Carton Quantity:		4
<i>Alder, Cherry, Hard Maple, Oak, Rubberwood</i>		

P3-3-42		
Width	Depth	Height
3"	3"	42"
Carton Quantity:		4
<i>Rubberwood</i>		

P3-42		
Width	Depth	Height
3-1/2"	3-1/2"	42"
Carton Quantity:		4
<i>Alder, Cherry, Hard Maple, Rubberwood</i>		

P21		
Width	Depth	Height
5"	5"	35-1/2"
Carton Quantity:		2
<i>Cherry, Hard Maple, Rubberwood</i>		

Posts



P9

Width	Depth	Height
3-3/4"	3-3/4"	35-1/2"
Carton Quantity:		4

Alder, Cherry, Hard Maple, Rubberwood

PS-9-3

Width	Depth	Height
3"	3"	35-1/2"
Carton Quantity:		4

Cherry, Hard Maple, Rubberwood

PS-9

Width	Depth	Height
3-3/4"	3-3/4"	35-1/2"
Carton Quantity:		4

Alder, Cherry, Hard Maple, Rubberwood

PS-9-5

Width	Depth	Height
5"	5"	35-1/2"
Carton Quantity:		2

Alder, Cherry, Hard Maple, Rubberwood, White Birch

PS-9-5-42

Width	Depth	Height
5"	5"	42"
Carton Quantity:		2

Alder, Cherry, Hard Maple, Rubberwood, White Birch



P27-3.5

Width	Depth	Height
3-1/2"	3-1/2"	35-1/2"
Carton Quantity:		4

Alder, Cherry, Hard Maple, Rubberwood, White Birch

P27

Width	Depth	Height
5"	5"	35-1/2"
Carton Quantity:		2

Alder, Cherry, Hard Maple, Rubberwood, White Birch

P27-5-42

Width	Depth	Height
5"	5"	42"
Carton Quantity:		2

Alder, Cherry, Hard Maple, Rubberwood, White Birch

P27-6

Width	Depth	Height
6"	6"	35-1/2"
Carton Quantity:		1

Alder, Cherry, Hard Maple, Rubberwood, White Birch

P27-6-42

Width	Depth	Height
6"	6"	42"
Carton Quantity:		1

Alder, Cherry, Hard Maple, Rubberwood, White Birch

Posts



P35-3.5

Width	Depth	Height
3-1/2"	3-1/2"	35-1/2"
Carton Quantity:		4

Alder, Cherry, Hard Maple, Rubberwood, White Birch

P35

Width	Depth	Height
5"	5"	35-1/2"
Carton Quantity:		2

Alder, Hard Maple, Rubberwood

P35-5-42

Width	Depth	Height
5"	5"	42"
Carton Quantity:		2

Alder, Cherry, Hard Maple, Rubberwood, White Birch

P35-6

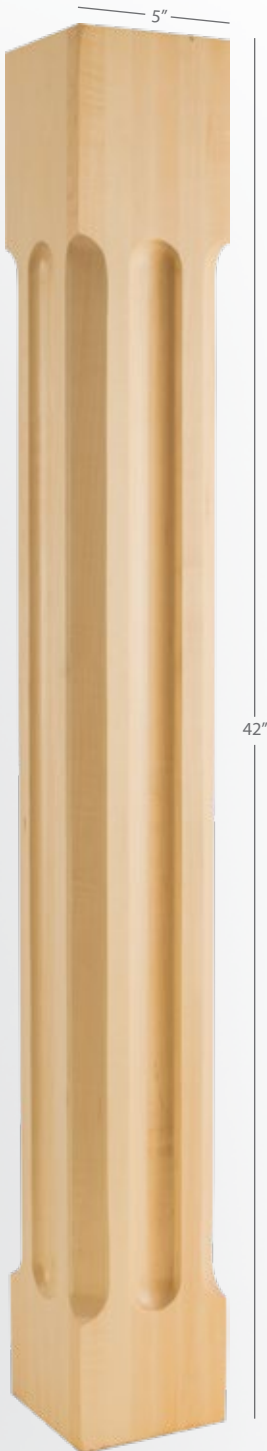
Width	Depth	Height
6"	6"	35-1/2"
Carton Quantity:		1

Alder, Cherry, Hard Maple, Rubberwood, White Birch

P35-6-42

Width	Depth	Height
6"	6"	42"
Carton Quantity:		1

Alder, Cherry, Hard Maple, Rubberwood, White Birch



P78		
Width	Depth	Height
3-1/2"	3-1/2"	35-1/2"
Carton Quantity:		4
<i>Alder, Cherry, Hard Maple, Rubberwood</i>		

P78-5		
Width	Depth	Height
5"	5"	35-1/2"
Carton Quantity:		2
<i>Alder, Cherry, Hard Maple, Rubberwood</i>		

P78-5-42		
Width	Depth	Height
5"	5"	42"
Carton Quantity:		2
<i>Alder, Cherry, Hard Maple, Rubberwood</i>		

Posts



P70

Width	Depth	Height
3-1/2"	3-1/2"	35-1/2"
Carton Quantity:		4

Alder, Hard Maple, Rubberwood

P70-5

Width	Depth	Height
5"	5"	35-1/2"
Carton Quantity:		2

Alder, Hard Maple, Rubberwood

P70-5-42

Width	Depth	Height
5"	5"	42"
Carton Quantity:		2

Alder, Hard Maple, Rubberwood



P38

Width	Depth	Height
5"	5"	35-1/2"

Carton Quantity: 2

Alder, Hard Maple, Rubberwood

P38-3.5

Width	Depth	Height
3-1/2"	3-1/2"	35-1/2"

Carton Quantity: 4

Alder, Cherry, Hard Maple, Rubberwood, White Birch

P38-5-42

Width	Depth	Height
5"	5"	42"

Carton Quantity: 2

Alder, Cherry, Hard Maple, Rubberwood, White Birch

P38-6

Width	Depth	Height
6"	6"	35-1/2"

Carton Quantity: 1

Alder, Cherry, Hard Maple, Rubberwood, White Birch

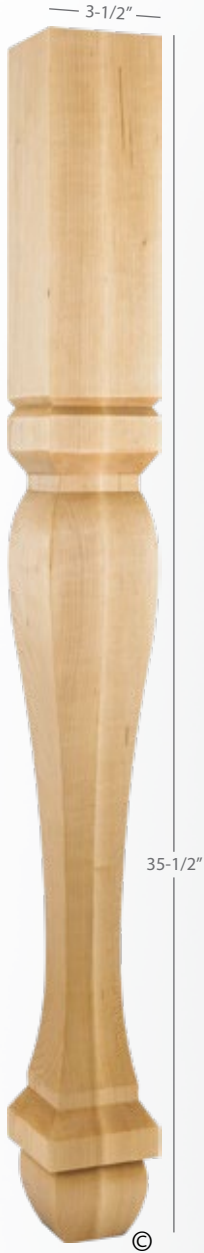
P38-6-42

Width	Depth	Height
6"	6"	42"

Carton Quantity: 1

Alder, Cherry, Hard Maple, Rubberwood, White Birch

Posts



P13-3.5		
Width	Depth	Height
3-1/2"	3-1/2"	35-1/2"
Carton Quantity:		4
Alder, Cherry, Hard Maple, Rubberwood, White Birch		

P13-5		
Width	Depth	Height
5"	5"	35-1/2"
Carton Quantity:		2
Alder, Cherry, Hard Maple, Rubberwood, White Birch		

P13-5-42		
Width	Depth	Height
5"	5"	42"
Carton Quantity:		2
Alder, Cherry, Hard Maple, Rubberwood, White Birch		

P13		
Width	Depth	Height
6"	6"	35-1/2"
Carton Quantity:		1
Alder, Cherry, Hard Maple, Rubberwood		

P13-6-42		
Width	Depth	Height
6"	6"	42"
Carton Quantity:		1
Alder, Cherry, Hard Maple, Rubberwood, White Birch		



P37		
Width	Depth	Height
3-3/4"	3-3/4"	35-1/2"
Carton Quantity:		4

Alder, Cherry, Hard Maple, Rubberwood

P37-5		
Width	Depth	Height
5"	5"	35-1/2"
Carton Quantity:		2

Alder, Cherry, Hard Maple, Rubberwood

P37-6.5		
Width	Depth	Height
6-1/2"	6-1/2"	35-1/2"
Carton Quantity:		1

Alder, Cherry, Hard Maple, Rubberwood

Posts



P83

Width	Depth	Height
3-1/2"	3-1/2"	35-1/2"

Carton Quantity: 4
 Alder, Cherry, Hard Maple, Rubberwood, White Birch

P83-5

Width	Depth	Height
5"	5"	35-1/2"

Carton Quantity: 2
 Alder, Cherry, Hard Maple, Rubberwood, White Birch

P83-5-42

Width	Depth	Height
5"	5"	42"

Carton Quantity: 2
 Alder, Cherry, Hard Maple, Rubberwood, White Birch

P83-6

Width	Depth	Height
6"	6"	35-1/2"

Carton Quantity: 1
 Alder, Cherry, Hard Maple, Rubberwood, White Birch

P83-6-42

Width	Depth	Height
6"	6"	42"

Carton Quantity: 1
 Alder, Cherry, Hard Maple, Rubberwood, White Birch



P82

Width	Depth	Height
3-1/2"	3-1/2"	35-1/2"
Carton Quantity:		2

Alder, Cherry, Hard Maple, Rubberwood, White Birch

P82-5

Width	Depth	Height
5"	5"	35-1/2"
Carton Quantity:		2

Alder, Cherry, Hard Maple, Rubberwood, White Birch

P82-5-42

Width	Depth	Height
5"	5"	42"
Carton Quantity:		2

Alder, Cherry, Hard Maple, Rubberwood, White Birch

P34

Width	Depth	Height
3-3/4"	3-3/4"	35-1/2"
Carton Quantity:		4

Alder, Cherry, Hard Maple, Rubberwood

P34-5

Width	Depth	Height
5"	5"	35-1/2"
Carton Quantity:		2

Alder, Cherry, Hard Maple, Rubberwood



P39

Width	Depth	Height
3-3/4"	3-3/4"	35-1/2"
Carton Quantity:		4

Alder, Cherry, Hard Maple, Rubberwood

P39-5

Width	Depth	Height
5"	5"	35-1/2"
Carton Quantity:		2

Hard Maple, Rubberwood

P36

Width	Depth	Height
5"	5"	35-1/2"
Carton Quantity:		2

Alder, Hard Maple, Rubberwood

P41

Width	Depth	Height
5"	5"	35-1/2"
Carton Quantity:		2

Alder, Hard Maple, Rubberwood



P73 [†]		
Width	Depth	Height
3-1/2"	3-1/2"	35-1/2"
Carton Quantity:		4
Alder, Hard Maple, Rubberwood		

P73-5-42 [†]		
Width	Depth	Height
5"	5"	42"
Carton Quantity:		2
Alder, Hard Maple, Rubberwood		

P60		
Width	Depth	Height
3-1/2"	3-1/2"	35-1/2"
Carton Quantity:		4
Alder, Hard Maple, Rubberwood		

P60-5		
Width	Depth	Height
5"	5"	35-1/2"
Carton Quantity:		2
Alder, Hard Maple, Rubberwood		

P60-5-42		
Width	Depth	Height
5"	5"	42"
Carton Quantity:		2
Alder, Hard Maple, Rubberwood		

Posts



P74[†]

Width	Depth	Height
3-1/2"	3-1/2"	35-1/2"

Carton Quantity: 4

Cherry

P74-5-42[†]

Width	Depth	Height
5"	5"	42"

Carton Quantity: 2

Alder, Hard Maple,
Rubberwood

P72[†]

Width	Depth	Height
3-1/2"	3-1/2"	35-1/2"

Carton Quantity: 4

Alder, Hard Maple

P72-5[†]

Width	Depth	Height
5"	5"	35-1/2"

Carton Quantity: 2

Alder



These products are being retired.
Check availability online or call for products marked with "†".



P64

Width	Depth	Height
3-1/2"	3-1/2"	35-1/2"
Carton Quantity:		4

Alder, Hard Maple,
Rubberwood

P64-5

Width	Depth	Height
5"	5"	35-1/2"
Carton Quantity:		2

Alder, Hard Maple,
Rubberwood

P64-5-42

Width	Depth	Height
5"	5"	42"
Carton Quantity:		2

Alder, Hard Maple,
Rubberwood



P32

Width	Depth	Height
3-1/2"	3-1/2"	35-1/2"
Carton Quantity:		4

Alder, Hard Maple, Rubberwood

P33

Width	Depth	Height
3-1/2"	3-1/2"	35-1/2"
Carton Quantity:		4

Alder, Hard Maple, Rubberwood

P42

Width	Depth	Height
3-1/2"	3-1/2"	35-1/2"
Carton Quantity:		4

Alder, Hard Maple, Oak, Rubberwood

P42-42

Width	Depth	Height
3-1/2"	3-1/2"	42"
Carton Quantity:		4

Alder, Hard Maple, Oak, Rubberwood

P42-5

Width	Depth	Height
5"	5"	35-1/2"
Carton Quantity:		2

Alder, Hard Maple, Oak, Rubberwood



P31

Width	Depth	Height
3-1/2"	3-1/2"	35-1/2"
Carton Quantity:		4

Alder, Hard Maple, Rubberwood

P31TL

Width	Depth	Height
3-1/2"	3-1/2"	25-1/4"
Carton Quantity:		4

Alder, Hard Maple, Rubberwood, White Birch

P43

Width	Depth	Height
3-1/2"	3-1/2"	35-1/2"
Carton Quantity:		4

Alder, Cherry, Hard Maple, Oak, Rubberwood

P43-42

Width	Depth	Height
3-1/2"	3-1/2"	42"
Carton Quantity:		4

Alder, Cherry, Hard Maple, Oak, Rubberwood

Posts



(tapered on 4 sides)

P43-5

Width	Depth	Height
5"	5"	35-1/2"

Carton Quantity: 2
 Alder, Cherry, Hard Maple, Oak, Rubberwood



(tapered on 4 sides)

P43-5-42

Width	Depth	Height
5"	5"	42"


Carton Quantity: 2
 Alder, Cherry, Hard Maple, Oak, Rubberwood



P63-5†

Width	Depth	Height
5"	5"	35-1/2"

Carton Quantity: 2
 Alder, Hard Maple, Rubberwood

 These products are being retired. Check availability online or call for products marked with " †".



P75⁺

Width	Depth	Height
3-1/2"	3-1/2"	35-1/2"
Carton Quantity:		4

Hard Maple, Rubberwood

P75-5⁺

Width	Depth	Height
5"	5"	35-1/2"
Carton Quantity:		2

Hard Maple, Rubberwood

P65-5⁺

Width	Depth	Height
5"	5"	35-1/2"
Carton Quantity:		2

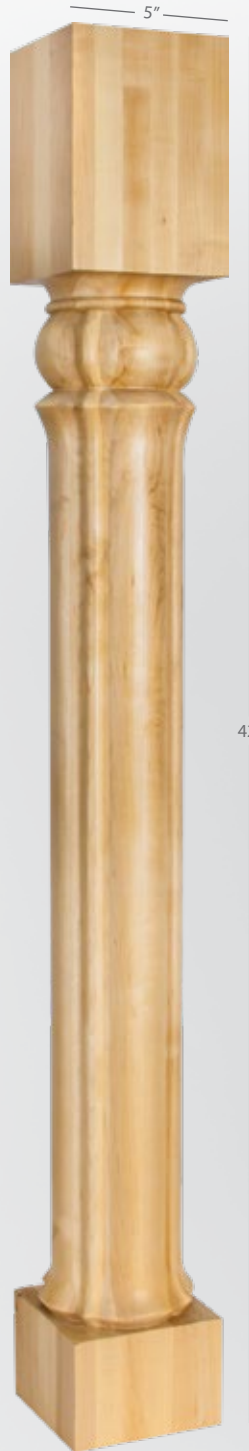
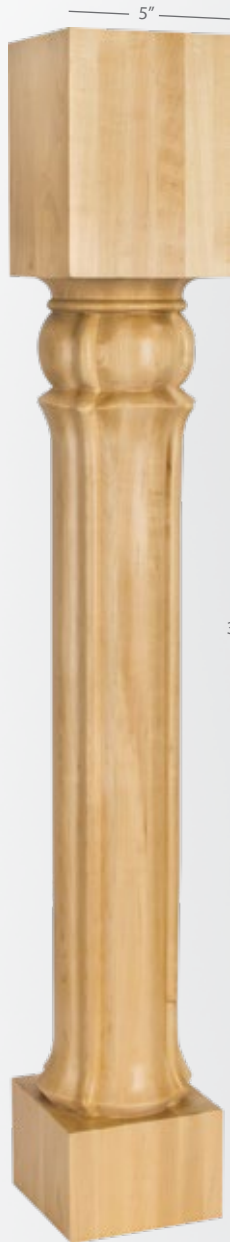
Alder, Hard Maple

P65-5-42⁺

Width	Depth	Height
5"	5"	42"
Carton Quantity:		2

Hard Maple, Rubberwood

Posts




P67 [†]		
Width	Depth	Height
3-1/2"	3-1/2"	35-1/2"
Carton Quantity:		4
<i>Alder, Hard Maple, Rubberwood</i>		

P67-5 [†]		
Width	Depth	Height
5"	5"	35-1/2"
Carton Quantity:		2
<i>Alder, Hard Maple, Rubberwood</i>		

P67-5-42 [†]		
Width	Depth	Height
5"	5"	42"
Carton Quantity:		2
<i>Hard Maple, Rubberwood</i>		

P68		
Width	Depth	Height
3-1/2"	3-1/2"	35-1/2"
Carton Quantity:		4
<i>Alder, Hard Maple, Rubberwood</i>		

 These products are being retired. Check availability online or call for products marked with "†".



P68-5

Width	Depth	Height
5"	5"	35-1/2"
Carton Quantity:		2

Alder, Hard Maple, Rubberwood

P68-5-42

Width	Depth	Height
5"	5"	42"
Carton Quantity:		2

Alder, Hard Maple, Rubberwood

P79⁺

Width	Depth	Height
3-1/2"	3-1/2"	35-1/2"
Carton Quantity:		4

Hard Maple

P79-5⁺

Width	Depth	Height
5"	5"	35-1/2"
Carton Quantity:		2

Alder, Hard Maple, Rubberwood



Posts



P80		
Width	Depth	Height
3-1/2"	3-1/2"	35-1/2"
Carton Quantity:		4

Alder, Cherry, Hard Maple, Rubberwood



P80-5		
Width	Depth	Height
5"	5"	35-1/2"
Carton Quantity:		2

Alder, Cherry, Hard Maple, Rubberwood



P80-5-42		
Width	Depth	Height
5"	5"	42"
Carton Quantity:		2

Alder, Cherry, Hard Maple, Rubberwood



P71

Width	Depth	Height
3-1/2"	3-1/2"	35-1/2"

Carton Quantity: 4

Alder, Cherry, Hard Maple, Rubberwood

P71-5

Width	Depth	Height
5"	5"	35-1/2"

Carton Quantity: 2

Alder, Cherry, Hard Maple, Rubberwood

P71-5-42

Width	Depth	Height
5"	5"	42"

Carton Quantity: 2

Alder, Cherry, Hard Maple, Rubberwood




P76 [†]		
Width	Depth	Height
3-1/2"	3-1/2"	35-1/2"
Carton Quantity:		4
Alder, Cherry		

P76-5 [†]		
Width	Depth	Height
5"	5"	35-1/2"
Carton Quantity:		2
Alder, Cherry, Hard Maple		

P76-5-42 [†]		
Width	Depth	Height
5"	5"	42"
Carton Quantity:		2
Cherry		

P77 [†]		
Width	Depth	Height
3-1/2"	3-1/2"	35-1/2"
Carton Quantity:		4
Rubberwood		

 These products are being retired.
Check availability online or call for products marked with "†".

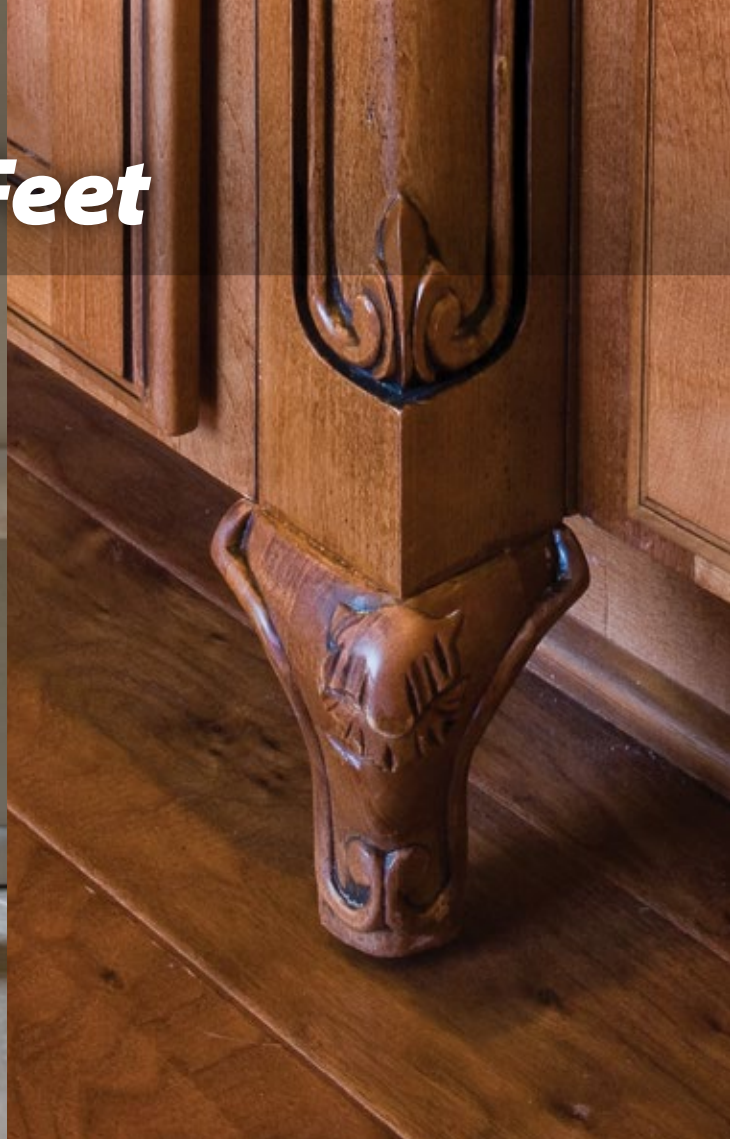


P66[†]		
<i>Width</i>	<i>Depth</i>	<i>Height</i>
3-1/2"	3-1/2"	35-1/2"
Carton Quantity:		4
<i>Hard Maple, Rubberwood</i>		

P66-5[†]		
<i>Width</i>	<i>Depth</i>	<i>Height</i>
5"	5"	35-1/2"
Carton Quantity:		2
<i>Alder, Rubberwood</i>		

P66-5-42[†]		
<i>Width</i>	<i>Depth</i>	<i>Height</i>
5"	5"	42"
Carton Quantity:		2
<i>Rubberwood</i>		

Cabinet Feet



Feet give cabinets and furniture projects a lighter feel by raising them off the floor. Our collection includes a wide variety of styles including bun feet, pedestal feet, carved ball & claw legs, French legs, Queen Anne legs and more.





WL80		
Width	Depth	Height
4-1/2"	4-1/2"	8"
Carton Quantity:		36
Cherry, Hard Maple, Oak, Rubberwood		

WLC86		
Width	Depth	Height
4-1/2"	2-3/4"	8"
Carton Quantity:		40
Cherry, Hard Maple, Oak, Rubberwood		

WLC80		
Width	Depth	Height
4-1/2"	4-1/2"	8"
Carton Quantity:		36
Cherry, Hard Maple, Oak, Rubberwood		

WL60		
Width	Depth	Height
4-1/2"	4-1/2"	6"
Carton Quantity:		36
Alder, Cherry, Hard Maple, Oak, Rubberwood		

WLC60		
Width	Depth	Height
4-1/2"	2-3/4"	6"
Carton Quantity:		40
Cherry, Hard Maple, Oak, Rubberwood		



WL85		
Width	Depth	Height
4-1/2"	4-1/2"	8"
Carton Quantity:		36
Cherry, Hard Maple, Oak, Rubberwood		

WLC85 ⁺		
Width	Depth	Height
4-5/8"	2-3/4"	8"
Carton Quantity:		40
Cherry, Oak, Rubberwood		

WL82		
Width	Depth	Height
2-1/4"	2-1/4"	8"
Carton Quantity:		30
Cherry, Hard Maple, Oak, Rubberwood		

WL65		
Width	Depth	Height
4-1/4"	4-1/4"	6"
Carton Quantity:		36
Cherry, Hard Maple, Oak, Rubberwood		

WLC65		
Width	Depth	Height
4-1/4"	2-5/8"	6"
Carton Quantity:		40
Hard Maple, Oak, Rubberwood		



WLF80

Width	Depth	Height
5"	5"	8"
Carton Quantity:		36

Cherry, Hard Maple, Oak

WLFC80

Width	Depth	Height
4-3/4"	4-1/8"	8"
Carton Quantity:		36

Cherry, Hard Maple

WLF60

Width	Depth	Height
5"	5"	6"
Carton Quantity:		48

Cherry, Hard Maple, Oak, Rubberwood

WLFC60

Width	Depth	Height
4-3/4"	4-1/2"	6"
Carton Quantity:		48

Cherry, Hard Maple, Rubberwood



WLC50 shown in use



WLC50[†]

Width	Depth	Height
3-1/2"	3-1/2"	5"
Carton Quantity:		50

Cherry, Hard Maple, Rubberwood



WL50

Width	Depth	Height
3-1/2"	3-1/2"	5"
Carton Quantity:		50

Cherry, Hard Maple, Oak, Rubberwood

These products are being retired. Check availability online or call for products marked with "†".



PFL

Width	Depth	Height
6"	1-1/8"	4"

Carton Quantity: 100

Alder, Cherry, Hard Maple, Oak, Rubberwood

PFR

Width	Depth	Height
6"	1-1/8"	4"

Carton Quantity: 100

Alder, Cherry, Hard Maple, Oak, Rubberwood

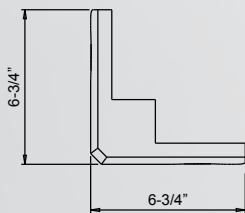


PFM1

Width	Depth	Height
11-3/8"	1-3/4"	1-11/16"

Carton Quantity: 50

Alder, Cherry, Hard Maple, Oak, Rubberwood

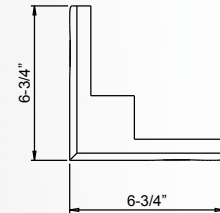


PFC

Width	Depth	Height
6-3/4"	6-3/4"	4"

Carton Quantity: 20

Alder, Cherry, Hard Maple, Oak, Rubberwood



PFCS

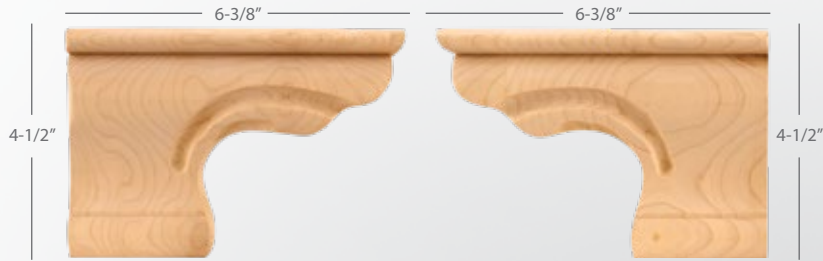
Width	Depth	Height
6-3/4"	6-3/4"	4"

Carton Quantity: 20

Alder, Cherry, Hard Maple, Oak, Rubberwood



PFC & PFM1 shown in use



PFL-B

Width	Depth	Height
6-3/8"	1"	4-1/2"
Carton Quantity:		100

Alder, Cherry, Hard Maple, Oak, Rubberwood

PFR-B

Width	Depth	Height
6-3/8"	1"	4-1/2"
Carton Quantity:		100

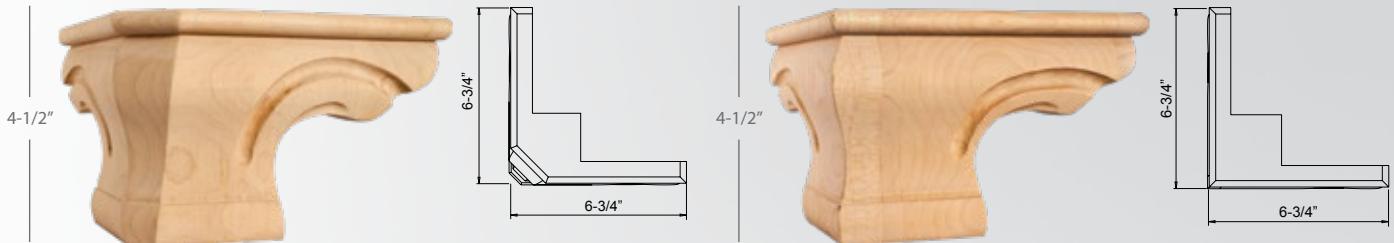
Alder, Cherry, Hard Maple, Oak, Rubberwood



PFM1-B

Width	Depth	Height
11-3/4"	1-3/4"	2-1/4"
Carton Quantity:		50

Alder, Cherry, Hard Maple, Oak, Rubberwood



PFC-B

Width	Depth	Height
6-3/4"	6-3/4"	4-1/2"
Carton Quantity:		20

Alder, Cherry, Hard Maple, Oak, Rubberwood

PFCS-B

Width	Depth	Height
6-3/4"	6-3/4"	4-1/2"
Carton Quantity:		20

Alder, Cherry, Hard Maple, Oak, Rubberwood



PFL2

Width	Depth	Height
8-1/4"	1-1/2"	4-1/2"
Carton Quantity:		50

Alder, Cherry, Hard Maple, Oak, Rubberwood

PFR2

Width	Depth	Height
8-1/4"	1-1/2"	4-1/2"
Carton Quantity:		50

Alder, Cherry, Hard Maple, Oak, Rubberwood



PFM2

Width	Depth	Height
16"	1"	2-1/2"
Carton Quantity:		50

Alder, Cherry, Hard Maple, Oak, Rubberwood



PFSHA

Width	Depth	Height
8"	7/8"	4-1/2"
Carton Quantity:		50

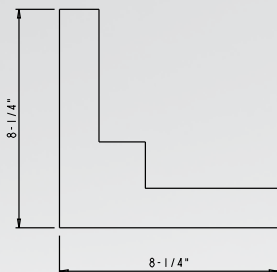
Alder, Cherry, Hard Maple, Rubberwood, White Birch



PFCS2

Width	Depth	Height
8-1/4"	8-1/4"	4-1/2"
Carton Quantity:		12

Alder, Cherry, Hard Maple, Oak, Rubberwood



PFCSHA

Width	Depth	Height
8"	8"	4-1/2"
Carton Quantity:		12

Alder, Cherry, Hard Maple, Rubberwood, White Birch



PFCOV

Width	Depth	Height
8"	7/8"	4-1/2"
Carton Quantity:		50

Alder, Cherry, Hard Maple, Rubberwood, White Birch



PFCCOV

Width	Depth	Height
8"	8"	4-1/2"
Carton Quantity:		12

Alder, Cherry, Hard Maple, Rubberwood, White Birch



BF34-5

Width	Depth	Height
2-1/4"	2-1/4"	4-1/2"
Carton Quantity:		50

Alder, Cherry, Hard Maple, Oak, Rubberwood, White Birch



BF34

Width	Depth	Height
2-1/4"	2-1/4"	4"
Carton Quantity:		50

Alder, Hard Maple, Oak, Rubberwood



BF32

Width	Depth	Height
3-1/2"	3-1/2"	4-1/2"
Carton Quantity:		40

Alder, Hard Maple, Rubberwood



BF35

Width	Depth	Height
3-1/2"	3-1/2"	4-1/2"
Carton Quantity:		100

Alder, Hard Maple, Rubberwood



LBF45

Width	Depth	Height
4-1/2"	4-1/2"	4-1/2"
Carton Quantity:		20

Hard Maple, Rubberwood



FBF45

Width	Depth	Height
4-1/2"	4-1/2"	4-1/2"
Carton Quantity:		20

Hard Maple, Rubberwood



SBF45

Width	Depth	Height
4-1/2"	4-1/2"	4-1/2"
Carton Quantity:		20

Hard Maple, Rubberwood



BF42

Width	Depth	Height
3-1/2"	3-1/2"	4"
Carton Quantity:		40

Alder, Cherry, Hard Maple, Rubberwood



BF70		
Width	Depth	Height
4-3/4"	4-3/4"	4"
Carton Quantity:		20

Alder, Hard Maple, Rubberwood



BF45		
Width	Depth	Height
4-1/2"	4-1/2"	4-1/2"
Carton Quantity:		20

Alder, Hard Maple, Rubberwood



BF14-5		
Width	Depth	Height
4"	4"	4"
Carton Quantity:		27

Alder, Hard Maple, Rubberwood



BF14-4		
Width	Depth	Height
4"	4"	5"
Carton Quantity:		27

Alder, Hard Maple, Rubberwood



BF14-3		
Width	Depth	Height
4"	4"	4"
Carton Quantity:		27

Alder, Hard Maple, Rubberwood



BF14-1		
Width	Depth	Height
4"	4"	5"
Carton Quantity:		27

Alder, Hard Maple, Rubberwood



BF16-1		
Width	Depth	Height
5"	5"	4-1/2"
Carton Quantity:		20

Alder, Cherry, Hard Maple, Rubberwood, White Birch



BF16-2		
Width	Depth	Height
3-1/2"	3-1/2"	4-1/2"
Carton Quantity:		20

Alder, Cherry, Hard Maple, Rubberwood, White Birch



BF33		
Width	Depth	Height
3-1/2"	3-1/2"	4-1/2"
Carton Quantity:		25

Alder, Hard Maple, Rubberwood



BF14-2		
Width	Depth	Height
4"	4"	4"
Carton Quantity:		27

Alder, Hard Maple, Rubberwood



BF40		
Width	Depth	Height
3-1/2"	3-1/2"	4-1/2"
Carton Quantity:		50

Alder, Hard Maple, Rubberwood



BF90		
Width	Depth	Height
4-1/4"	4-1/4"	4-1/4"
Carton Quantity:		20

Alder, Cherry, Hard Maple, Rubberwood



BF41		
Width	Depth	Height
3-1/2"	3-1/2"	4-1/2"
Carton Quantity:		50

Alder, Hard Maple, Rubberwood



BF15-2-6		
Width	Depth	Height
3"	3"	6"
Carton Quantity:		27

Alder, Cherry, Hard Maple, Rubberwood, White Birch



BF15-2-8		
Width	Depth	Height
3"	3"	8"
Carton Quantity:		27

Alder, Cherry, Hard Maple, Rubberwood, White Birch



BF16-3-8		
Width	Depth	Height
4"	4"	8"
Carton Quantity:		27

Alder, Cherry, Hard Maple, Rubberwood, White Birch



BF15-1-6		
Width	Depth	Height
3"	3"	6"
Carton Quantity:		27

Alder, Cherry, Hard Maple, Rubberwood, White Birch



BF15-1-8		
Width	Depth	Height
3"	3"	8"
Carton Quantity:		27

Alder, Cherry, Hard Maple, Rubberwood, White Birch



BF16-3-6		
Width	Depth	Height
4"	4"	6"
Carton Quantity:		27

Alder, Cherry, Hard Maple, Rubberwood, White Birch



BF4		
Width	Depth	Height
4"	4"	4"
Carton Quantity:		40

Cherry, Hard Maple, Rubberwood



BF60		
Width	Depth	Height
4"	4"	6"
Carton Quantity:		30

Cherry, Hard Maple, Rubberwood



BF30		
Width	Depth	Height
5"	5"	3"
Carton Quantity:		36

Hard Maple, Rubberwood



BFC40		
Width	Depth	Height
5"	5"	3"
Carton Quantity:		20

Hard Maple, Rubberwood



89104-SN

Diameter	Adjustable Height
2-3/8"	4" to 4-1/2"
Carton Quantity: 50	
Finish	Satin Nickel

Recommended screw:
#8 Pan head



89102-SN

Diameter	Adjustable Height
2-3/8"	4-1/2" to 4-5/8"
Carton Quantity: 50	
Finish	Satin Nickel

Recommended screw:
#8 Pan head



89102-DC

Diameter	Adjustable Height
2-3/8"	4-1/2" to 4-5/8"
Carton Quantity: 50	
Finish	Dull Chrome

Recommended screw:
#8 Pan head



89101-SN

Width	Depth	Height
2-5/16"	2-5/16"	4-1/8"
Carton Quantity: 50		
Finish	Satin Nickel	

Recommended screw:
#8 Pan head



89101-DC

Width	Depth	Height
2-5/16"	2-5/16"	4-1/8"
Carton Quantity: 50		
Finish	Dull Chrome	

Recommended screw:
#8 Pan head

Moulding



Hand-carved mouldings make great focal points on range hoods, mantels and cabinet trims. Rope, Dentil, Crown and other mouldings are made in the USA on the highest quality CNC machinery, ensuring a consistent product throughout each run and from one run to another.

Moulding is priced by the linear foot (LF) and sold by the 8 ft stick. It is sold in multiples designated by SKU. All moulding will fall into one of these groups— 8 LF (1 stick), 24 LF (3 sticks), 40 LF (5 sticks), or 64 LF (8 sticks).

<i>Multiples of 8'</i>	<i>Sticks</i>	<i>Multiples of 24'</i>	<i>Sticks</i>	<i>Multiples of 40'</i>	<i>Sticks</i>	<i>Multiples of 64'</i>	<i>Sticks</i>
8'	1	24'	3	40'	5	64'	8
16'	2	48'	6	80'	10	128'	16
24'	3	72'	9	120'	15	192'	24
32'	4	96'	12	160'	20	256'	32
40'	5	120'	15	200'	25	320'	40
48'	6	144'	18	240'	30	384'	48
56'	7	168'	21	280'	35	448'	56

Moulding Multiples Quick Reference Guide

For customer convenience, all moulding is sold by incremental multiple quantities. All moulding items will fall into one of four multiple groups: 8 LF (1 stick), 24 LF (3 sticks), 40 LF (5 sticks), or 64 LF (8 sticks).

This Quick Reference Guide lists all moulding alphabetically by prefix within each multiple group so that finding a specific moulding is easy.

Examples:

Acanthus Hand-carved Moulding in Basswood = **HCM10BW**, 8 LF (1 stick)
 COV-4 Crown Moulding in Hard Maple = **COV-4-HMP**, 24 LF (3 sticks)

$\frac{3}{4}$ " Quartered Moulding in Alder = **34QTRALD**, 40 LF (5 sticks)
 $\frac{1}{2}$ " Rope Moulding in Cherry = **RMH12CH**, 64 LF (8 sticks)

Sold in multiples of 8 LF (1 stick)

HCM01	HCM08	HCM11
HCM05	HCM09	HCM12
HCM06	HCM10B	HCM13
HCM07	HCM10	HCM14

Sold in multiples of 24 LF (3 sticks)

BASE1	CONCR4	EM-3	LR005	RMH150B	SC16	SC5
BASE2	CONCR5	EM-4	LR006	RMH150	SC19-E	SHA-3
BASE5	CONCR6	EM-9	MC10	RMH1	SC19	SHA-4
BBM2	COV-3	FBC1	MC2	RMH250B	SC1	SHA-5
BM4	COV-4	FLT2	MC4	RMH250	SC20	STMW
CC1	COV-5	FLT3	MC5B	RMH2B	SC21	
CC2	COV-6	FLT4	MC5	RMH2	SC2	
CC4	DC1	FLTC3	MC7	SC11	SC2D	
CC5	DC2	FLTC4	MC8	SC12	SC2	
CMD	DEN1	LR001	MC9	SC13	SC2R	
CMR	DEN7	LR002	RC1	SC14	SC3	
CMS	EM-2	LR005-F	RC2	SC15	SC4-E	

Sold in multiples of 40 LF (5 sticks)

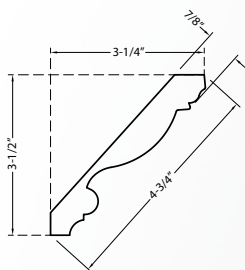
12QTR	DEN8
34QTR	DEN9
BM1	EM-5
DEN10	OCM1
DEN19	

Sold in multiples of 64 LF (8 sticks)

BFM1	RMH12T	RMH58
BM2	RMH14	RMH58T
BM3	RMH34B	SCRIBE1
DEN18	RMH34	SCRIBE2
DEN21	RMH34T	SCRIBE3
DEN5	RMH38	SCRIBE7
RMH12	RMH38T	

Hand Carved Moulding

Priced by the linear foot (LF) and sold by the 8' stick. Sold in multiples designated in item tables below.

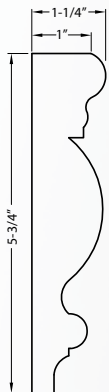


HCM10xx

Height	Depth	Repeat
4-3/4"	7/8"	3-9/16"

**Sold in Multiples of:
8 Linear Feet (1 stick)**

Alder (ALD), Basswood (BW),
Cherry (CH), Maple (MP)

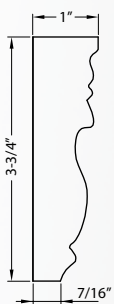


HCM10Bxx

Height	Depth	Repeat
5-3/4"	1-1/4"	3-9/16"

**Sold in Multiples of:
8 Linear Feet (1 stick)**

Basswood (BW), Maple (MP)

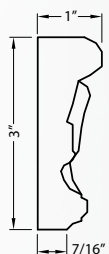


HCM01xx

Height	Depth	Repeat
3-3/4"	1"	2-13/16"

**Sold in Multiples of:
8 Linear Feet (1 stick)**

Alder (ALD), Basswood (BW),
Cherry (CH), Maple (MP)

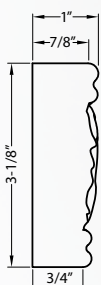


HCM06xx

Height	Depth	Repeat
3"	1"	24"

**Sold in Multiples of:
8 Linear Feet (1 stick)**

Alder (ALD), Basswood (BW),
Cherry (CH), Maple (MP)



HCM09xx

Height	Depth	Repeat
3-1/8"	1"	3-3/4"

**Sold in Multiples of:
8 Linear Feet (1 stick)**

Alder (ALD), Basswood (BW),
Maple (MP)

Hand Carved Moulding

Moulding
& Trim

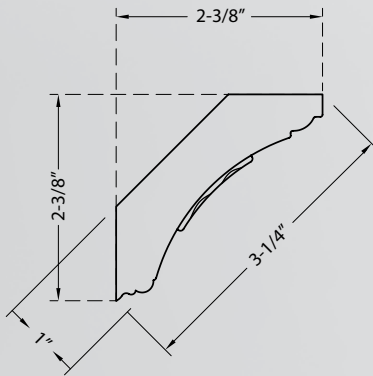
"xx" in item number represents species code



©

HCM13^{xx†}

Height	Depth	Repeat	Sold in Multiples of:	Species
4"	7/8"	5-1/16"	8 Linear Feet (1 stick)	Alder (ALD), Maple (MP)



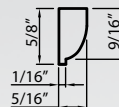
HCM08^{xx}

Height	Depth	Repeat	Sold in Multiples of:	Species
3-1/4"	1"	16-7/8"	8 Linear Feet (1 stick)	Basswood (BW), Cherry (CH), Maple (MP)



HCM11^{xx}

Height	Depth	Repeat	Sold in Multiples of:	Species
1-5/16"	3/4"	1-13/16"	8 Linear Feet (1 stick)	Basswood (BW), Maple (MP)



©

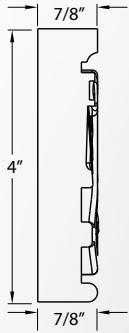
HCM14^{xx}

Height	Depth	Repeat	Sold in Multiples of:	Species
5/8"	5/16"	1"	8 Linear Feet (1 stick)	Maple (MP)



Hand Carved Moulding

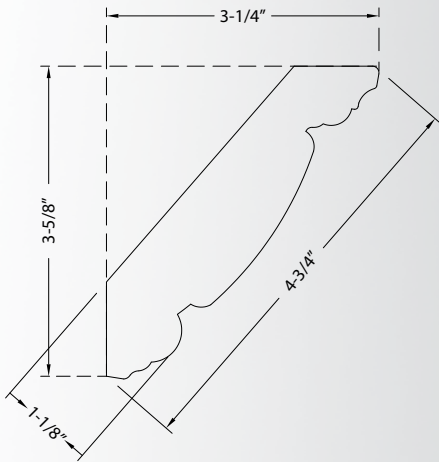
Priced by the linear foot (LF) and sold by the 8' stick. Sold in multiples designated in item tables below.



©

HCM12^{xx}

Height	Depth	Repeat	Sold in Multiples of:	Alder (ALD), Cherry (CH), Maple (MP)
4"	7/8"	4-13/16"	8 Linear Feet (1 stick)	



HCM07^{xx}

Height	Depth	Repeat	Sold in Multiples of:	Basswood (BW), Cherry (CH), Maple (MP)
4-3/4"	1-1/8"	11-7/8"	8 Linear Feet (1 stick)	



HCM05^{xx}

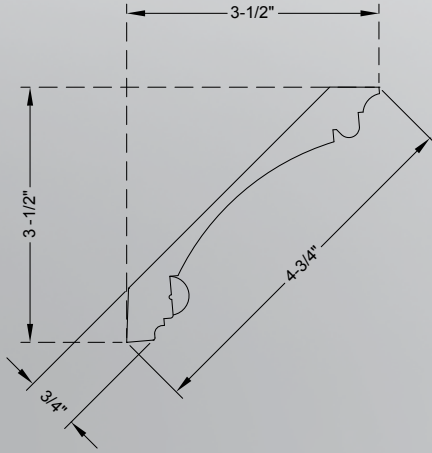
Height	Depth	Repeat	Sold in Multiples of:	Alder (ALD), Basswood (BW), Cherry (CH), Maple (MP)
4"	1"	12"	8 Linear Feet (1 stick)	



Rope Crown

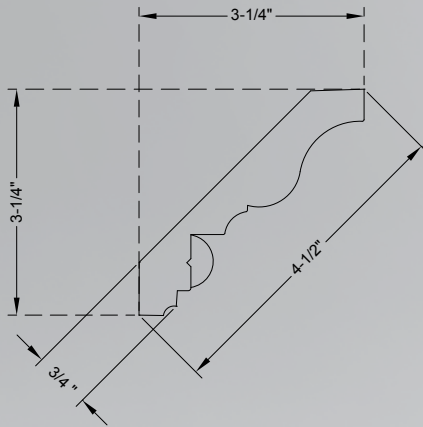
Moulding
& Trim

"xx" in item number represents species code



MC2XX

Height	Depth	Sold in Multiples of: 24 linear feet (3 sticks)	Alder (ALD), Cherry (CH), Hard Maple (HMP), Oak (OK), Poplar (POP)
4-3/4"	3/4"		



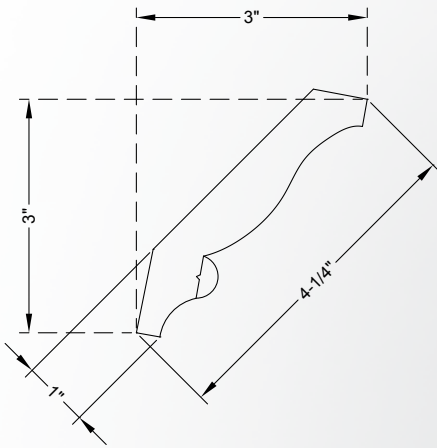
MC4XX

Height	Depth	Sold in Multiples of: 24 linear feet (3 sticks)	Alder (ALD), Cherry (CH), Hard Maple (HMP), Oak (OK), Poplar (POP)
4-1/2"	3/4"		

Rope Crown

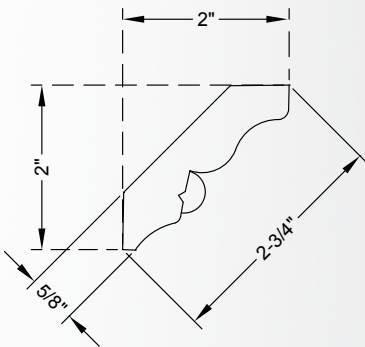


Priced by the linear foot (LF) and sold by the 8' stick.
Sold in multiples designated in item tables below.



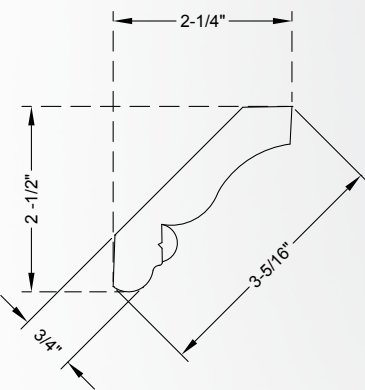
RC1_{XX}

Height	Depth	Sold in Multiples of: 24 linear feet (3 sticks)	Alder (ALD), Cherry (CH), Hard Maple (HMP), Oak (OK), Poplar (POP)
4-1/4"	3/4"		



RC2_{XX}

Height	Depth	Sold in Multiples of: 24 linear feet (3 sticks)	Alder (ALD), Cherry (CH), Hard Maple (HMP), Oak (OK), Poplar (POP)
2-3/4"	5/8"		



SC2R-_{XX}

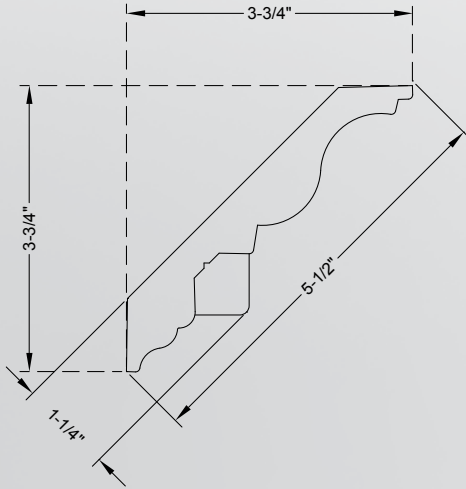
Height	Depth	Sold in Multiples of: 24 linear feet (3 sticks)	Alder (ALD), Cherry (CH), Hard Maple (HMP), Oak (OK), Poplar (POP)
3-5/16"	3/4"		



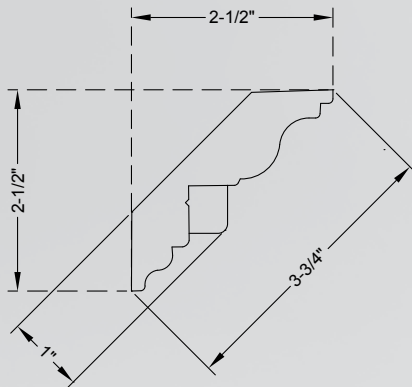
Dentil Crown

Moulding & Trim

"xx" in item number represents species code



DC2xx			
<i>Height</i>	<i>Depth</i>	Sold in Multiples of: 24 linear feet (3 sticks)	<i>Alder (ALD), Cherry (CH), Hard Maple (HMP), Oak (OK), Poplar (POP)</i>
5-1/2"	1-1/4"		

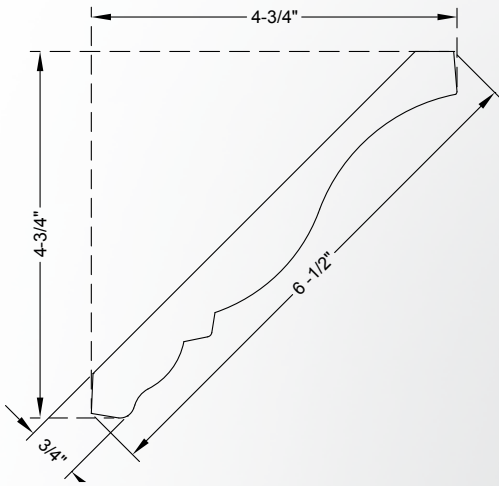


DC1xx			
<i>Height</i>	<i>Depth</i>	Sold in Multiples of: 24 linear feet (3 sticks)	<i>Alder (ALD), Cherry (CH), Hard Maple (HMP), Oak (OK), Poplar (POP)</i>
3-3/4"	1"		

Standard Crown

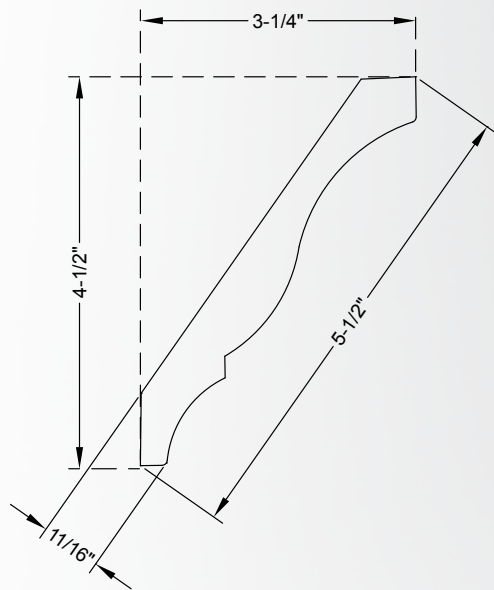


Priced by the linear foot (LF) and sold by the 8' stick.
Sold in multiples designated in item tables below.




SC15XX[†]

Height	Depth	Sold in Multiples of:	Oak (OK)
6-1/2"	3/4"	24 linear feet (3 sticks)	



SC12XX

Height	Depth	Sold in Multiples of:	Alder (ALD), Cherry (CH), Hard Maple (HMP), Oak (OK), Poplar (POP)
5-1/2"	11/16"	24 linear feet (3 sticks)	

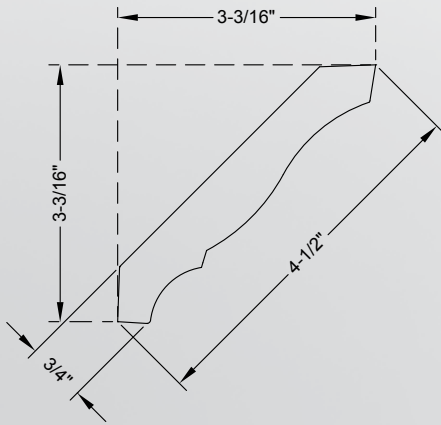
 These products are being retired.
Check availability online or call for products marked with "†".



Standard Crown

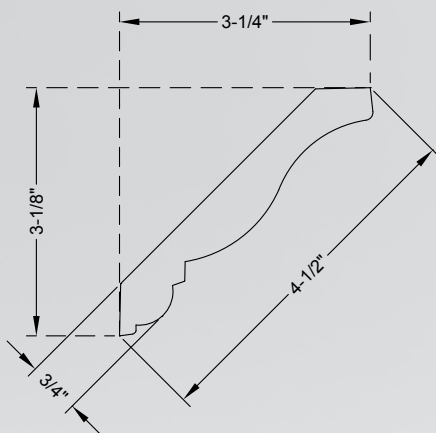
Moulding & Trim

"xx" in item number represents species code



SC14xx

Height	Depth	Sold in Multiples of:	Species
4-1/2"	3/4"	24 linear feet (3 sticks)	Alder (ALD), Cherry (CH), Hard Maple (HMP), Oak (OK), Poplar (POP)



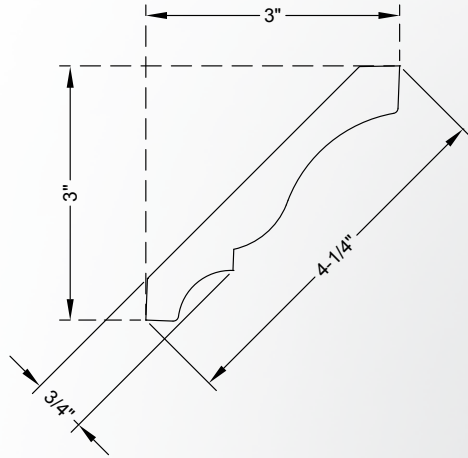
SC20xx

Height	Depth	Sold in Multiples of:	Species
4-1/2"	3/4"	24 linear feet (3 sticks)	Alder (ALD), Cherry (CH), Hard Maple (HMP), Oak (OK), Poplar (POP)

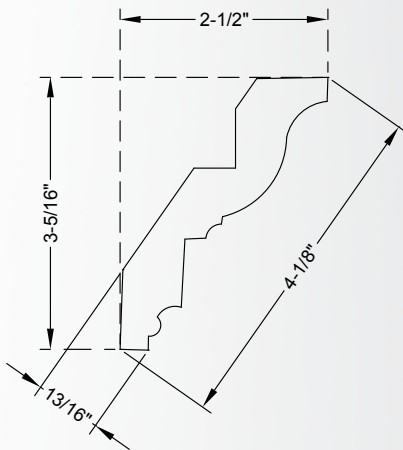
Standard Crown



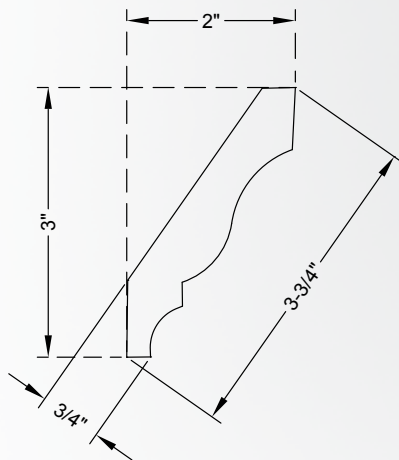
Priced by the linear foot (LF) and sold by the 8' stick.
Sold in multiples designated in item tables below.



SC11 ^{XX}			
<i>Height</i>	<i>Depth</i>	Sold in Multiples of: 24 linear feet (3 sticks)	Alder (ALD), Cherry (CH), Hard Maple (HMP), Oak (OK), Poplar (POP)
4-1/4"	3/4"		



SC19 ^{XX}			
<i>Height</i>	<i>Depth</i>	Sold in Multiples of: 24 linear feet (3 sticks)	Alder (ALD), Cherry (CH), Hard Maple (HMP), Oak (OK), Poplar (POP)
4-1/8"	13/16"		



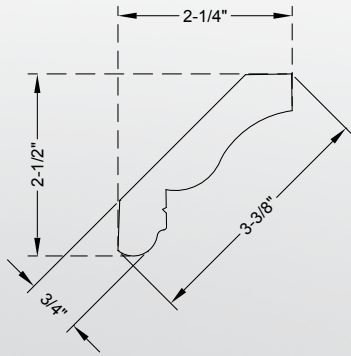
SC5 ^{XX}			
<i>Height</i>	<i>Depth</i>	Sold in Multiples of: 24 linear feet (3 sticks)	Alder (ALD), Cherry (CH), Hard Maple (HMP), Oak (OK), Poplar (POP)
3-3/4"	3/4"		



Standard Crown

**Moulding
& Trim**

"xx" in item number represents species code

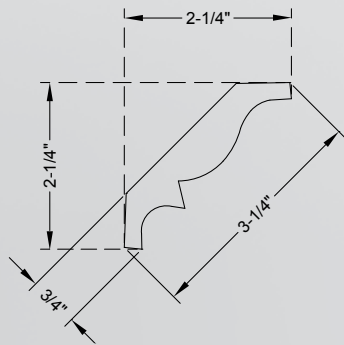


SC2XX

Height	Depth
3-3/8"	3/4"

**Sold in Multiples of:
24 linear feet (3 sticks)**

Alder (ALD), Cherry (CH),
Hard Maple (HMP), Oak
(OK), Poplar (POP)

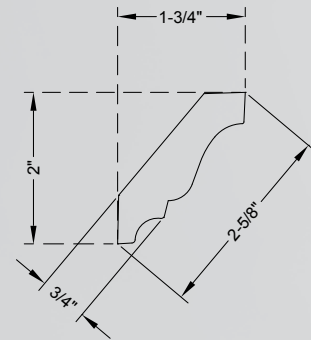


SC1XX

Height	Depth
3-1/4"	3/4"

**Sold in Multiples of:
24 linear feet (3 sticks)**

Alder (ALD), Cherry (CH),
Hard Maple (HMP), Oak
(OK), Poplar (POP)

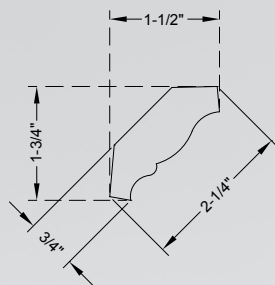


SC3XX

Height	Depth
2-5/8"	3/4"

**Sold in Multiples of:
24 linear feet (3 sticks)**

Alder (ALD), Cherry (CH),
Hard Maple (HMP), Oak
(OK), Poplar (POP)

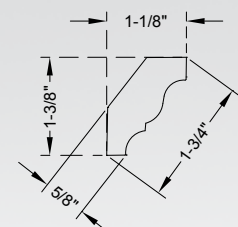


SC16XX

Height	Depth
2-1/4"	3/4"

**Sold in Multiples of:
24 linear feet (3 sticks)**

Alder (ALD), Cherry (CH),
Hard Maple (HMP), Oak
(OK), Poplar (POP)



SC13XX[†]

Height	Depth
1-3/4"	5/8"

**Sold in Multiples of:
24 linear feet (3 sticks)**

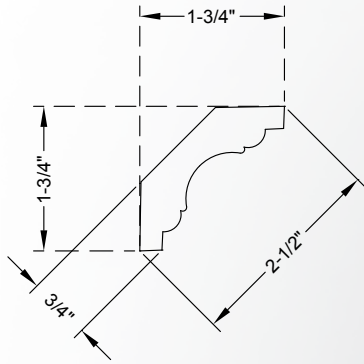
Cherry (CH)



Cove Crown

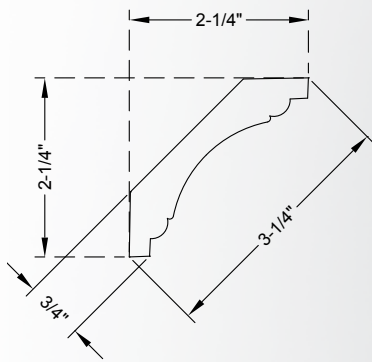


Priced by the linear foot (LF) and sold by the 8' stick.
Sold in multiples designated in item tables below.



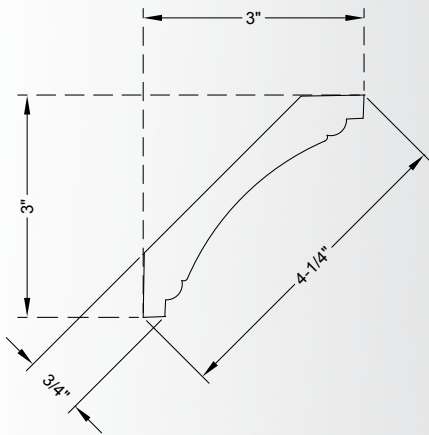
MC8 _{XX}	
Height	Depth
2-1/2"	3/4"
Sold in Multiples of: 24 linear feet (3 sticks)	

Alder (ALD), Cherry (CH),
Hard Maple (HMP), Poplar
(POP)



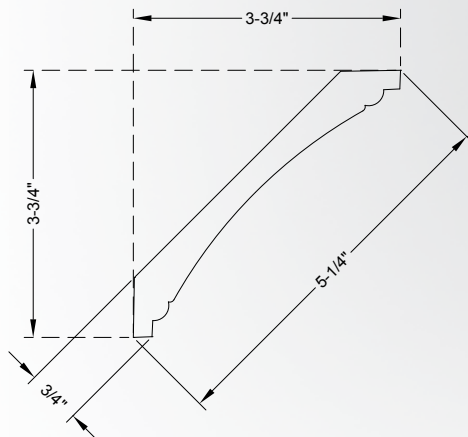
MC9 _{XX}	
Height	Depth
3-1/4"	3/4"
Sold in Multiples of: 24 linear feet (3 sticks)	

Alder (ALD), Cherry (CH),
Hard Maple (HMP), Poplar
(POP)



MC7 _{XX}	
Height	Depth
4-1/4"	3/4"
Sold in Multiples of: 24 linear feet (3 sticks)	

Alder (ALD), Cherry (CH),
Hard Maple (HMP), Poplar
(POP)



MC10 _{XX}	
Height	Depth
5-1/4"	3/4"
Sold in Multiples of: 24 linear feet (3 sticks)	

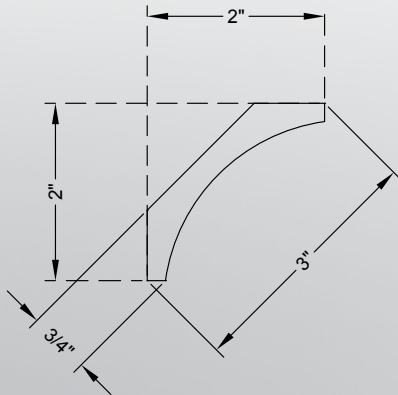
Alder (ALD), Cherry (CH),
Hard Maple (HMP), Poplar
(POP)



Cove Crown

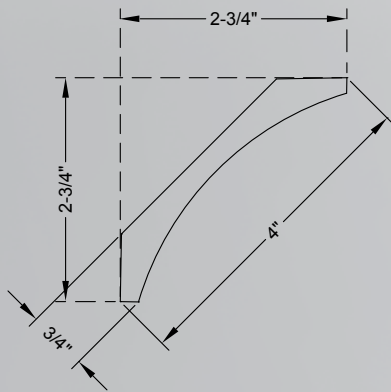
Moulding & Trim

"xx" in item number represents species code



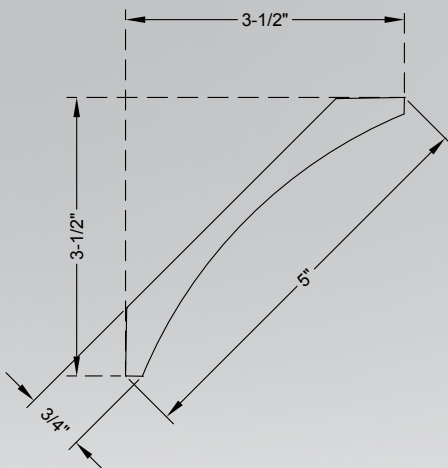
COV-3-xx

Height	Depth	Sold in Multiples of: 24 linear feet (3 sticks)	Alder (ALD), Cherry (CH), Hard Maple (HMP), Oak (OK), Poplar (POP)
3"	3/4"		



COV-4-xx

Height	Depth	Sold in Multiples of: 24 linear feet (3 sticks)	Alder (ALD), Cherry (CH), Hard Maple (HMP), Oak (OK), Poplar (POP)
4"	3/4"		



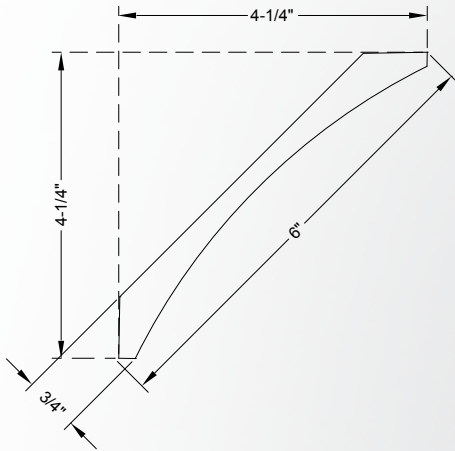
COV-5-xx

Height	Depth	Sold in Multiples of: 24 linear feet (3 sticks)	Alder (ALD), Cherry (CH), Hard Maple (HMP), Oak (OK), Poplar (POP)
5"	3/4"		

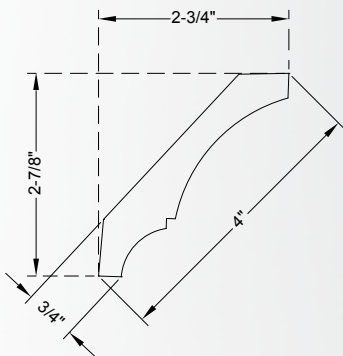
Cove Crown



Priced by the linear foot (LF) and sold by the 8' stick.
Sold in multiples designated in item tables below.



COV-6-XX			
<i>Height</i>	<i>Depth</i>	Sold in Multiples of: 24 linear feet (3 sticks)	<i>Alder (ALD), Cherry (CH), Hard Maple (HMP), Oak (OK), Poplar (POP)</i>
6"	3/4"		



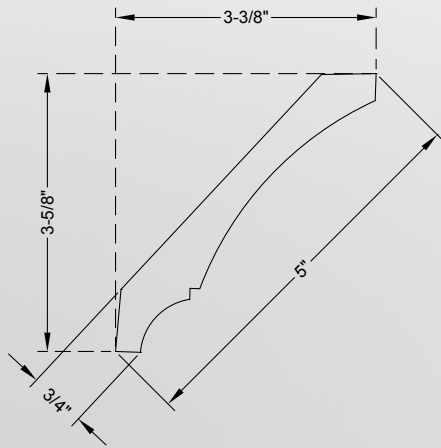
CONCR4-XX			
<i>Height</i>	<i>Depth</i>	Sold in Multiples of: 24 linear feet (3 sticks)	<i>Hard Maple (HMP), Poplar (POP)</i>
4"	3/4"		



Cove Crown

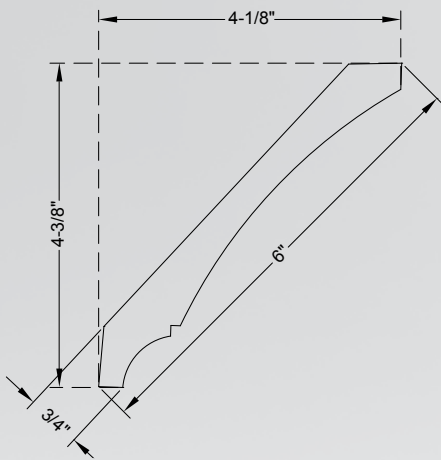
Moulding
& Trim

"xx" in item number represents species code



CONCR5-xx

Height	Depth	Sold in Multiples of:	Hard Maple (HMP), Poplar (POP)
5"	3/4"	24 linear feet (3 sticks)	



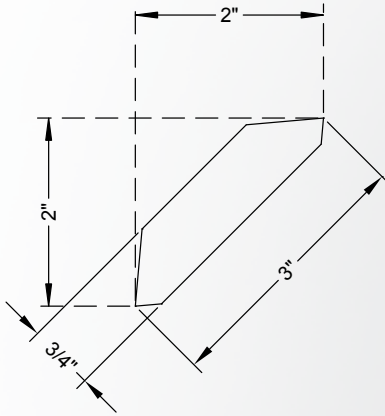
CONCR6-xx

Height	Depth	Sold in Multiples of:	Hard Maple (HMP), Poplar (POP)
6"	3/4"	24 linear feet (3 sticks)	

Shaker Crown

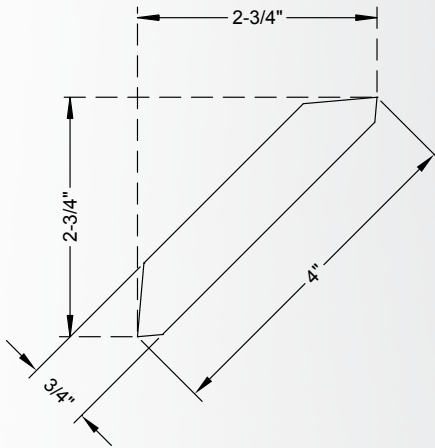


Priced by the linear foot (LF) and sold by the 8' stick.
Sold in multiples designated in item tables below.



SHA-3-XX

Height	Depth	Sold in Multiples of: 24 linear feet (3 sticks)	Alder (ALD), Cherry (CH), Hard Maple (HMP), Oak (OK), Poplar (POP)
3"	3/4"		



SHA-4-XX

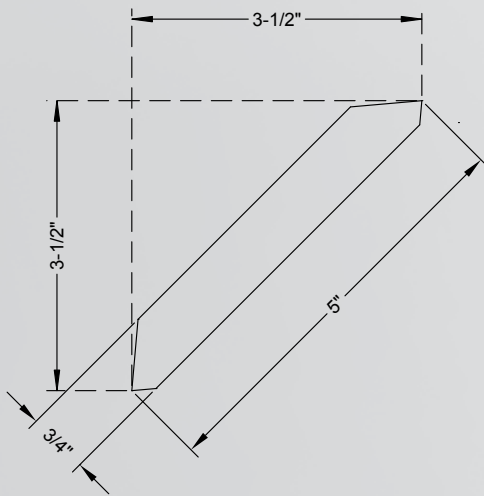
Height	Depth	Sold in Multiples of: 24 linear feet (3 sticks)	Alder (ALD), Cherry (CH), Hard Maple (HMP), Oak (OK), Poplar (POP)
4"	3/4"		



Shaker Crown

Moulding
& Trim

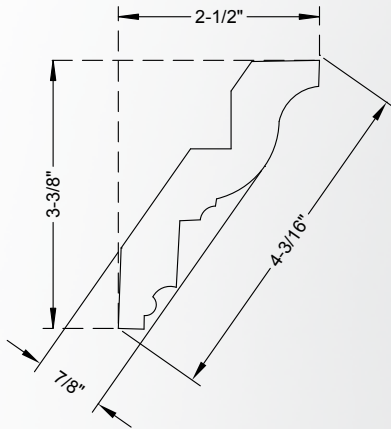
"xx" in item number represents species code



SHA-5-xx

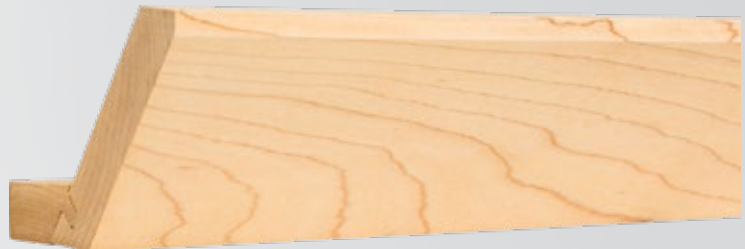
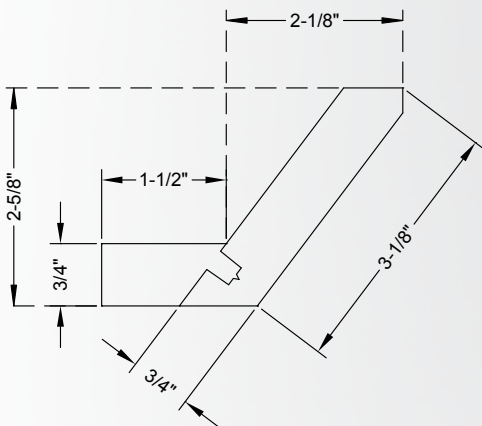
Height	Depth	Sold in Multiples of: 24 linear feet (3 sticks)	Alder (ALD), Cherry (CH), Hard Maple (HMP), Oak (OK), Poplar (POP)
5"	3/4"		

Priced by the linear foot (LF) and sold by the 8' stick.
Sold in multiples designated in item tables below.



SC19-E_{xx}

Height	Depth	Sold in Multiples of: 24 linear feet (3 sticks)	Alder (ALD), Cherry (CH), Hard Maple (HMP), Oak (OK), Poplar (POP)
4-3/16"	7/8"		



SC4-E_{xx}

Height	Depth	Sold in Multiples of: 24 linear feet (3 sticks)	Alder (ALD), Cherry (CH), Hard Maple (HMP), Oak (OK), Poplar (POP)
3-1/8"	3/4"		

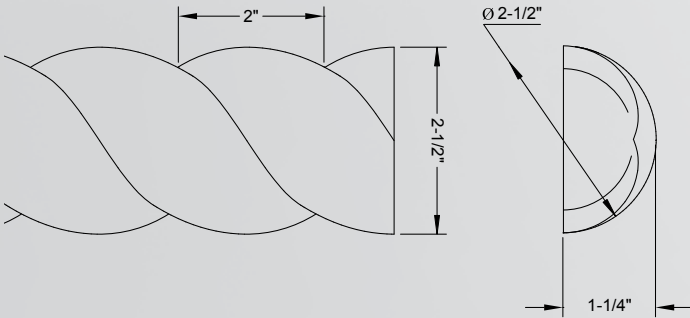


Half Round Rope

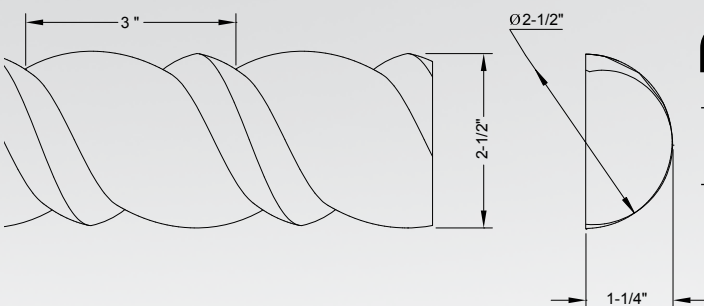
Moulding & Trim

"xx" in item number represents species code

Shown actual size



RMH250xx			
Height	Depth	Sold in Multiples of: 24 linear feet (3 sticks)	Alder (ALD), Cherry (CH), Hard Maple (HMP), Oak (OK), Poplar (POP)
2-1/2"	1-1/4"		



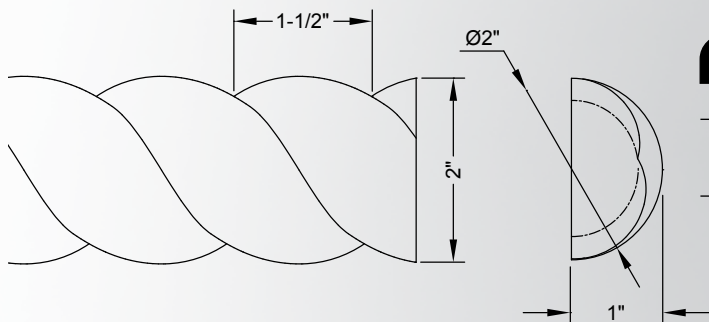
RMH250Bxx			
Height	Depth	Sold in Multiples of: 24 linear feet (3 sticks)	Alder (ALD), Cherry (CH), Hard Maple (HMP), Oak (OK), Poplar (POP)
2-9/16"	1-1/4"		

Half Round Rope



Priced by the linear foot (LF) and sold by the 8' stick.
Sold in multiples designated in item tables below.

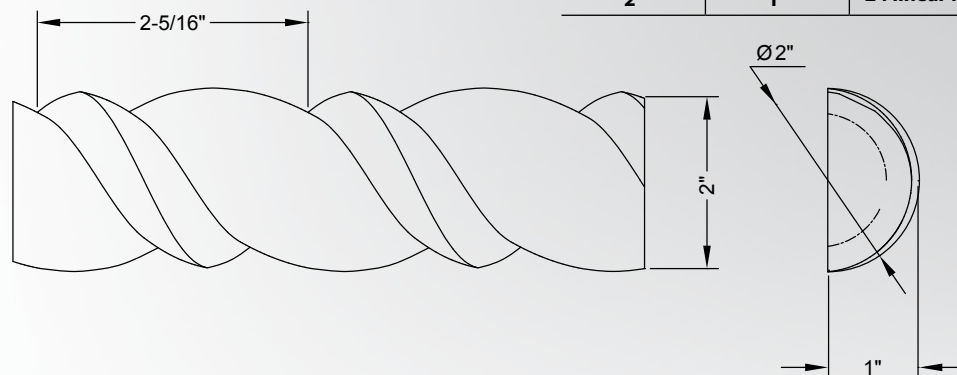
Shown actual size



RMH2XX			
<i>Height</i>	<i>Depth</i>	Sold in Multiples of: 24 linear feet (3 sticks)	Alder (ALD), Cherry (CH), Hard Maple (HMP), Oak (OK), Poplar (POP)
2"	1"		



RMH2BXX			
<i>Height</i>	<i>Depth</i>	Sold in Multiples of: 24 linear feet (3 sticks)	Alder (ALD), Cherry (CH), Hard Maple (HMP), Oak (OK), Poplar (POP)
2"	1"		



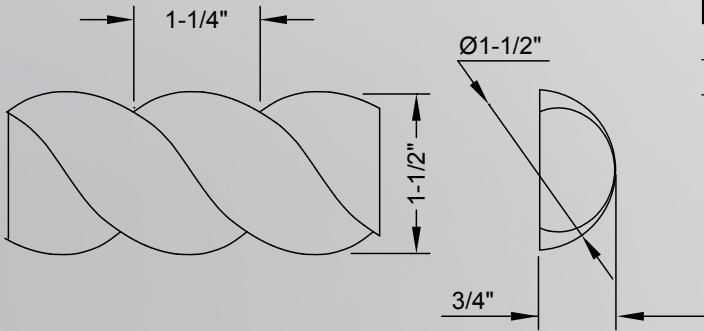


Half Round Rope

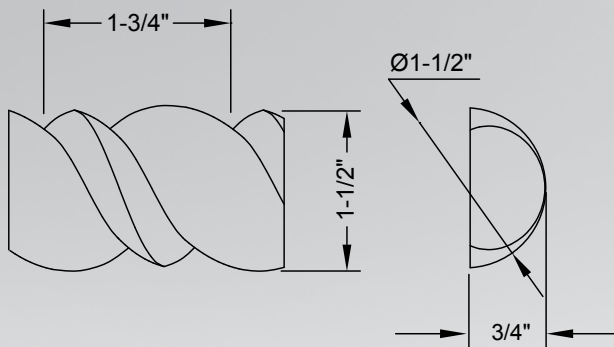
Moulding & Trim

"xx" in item number represents species code

Shown actual size



RMH150xx			
<i>Height</i>	<i>Depth</i>	Sold in Multiples of:	<i>Alder (ALD), Hard Maple (HMP)</i>
1-1/2"	3/4"	24 linear feet (3 sticks)	



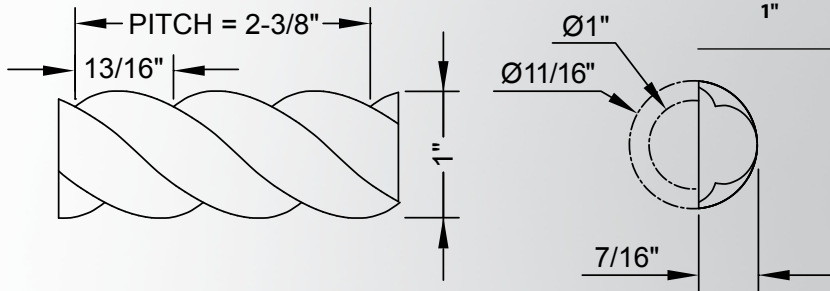
RMH150Bxx			
<i>Height</i>	<i>Depth</i>	Sold in Multiples of:	<i>Alder (ALD), Cherry (CH), Hard Maple (HMP), Oak (OK), Poplar (POP)</i>
1-1/2"	3/4"	24 linear feet (3 sticks)	

Half Round Rope



Priced by the linear foot (LF) and sold by the 8' stick.
Sold in multiples designated in item tables below.

Shown actual size



RMH1_{XX}			
<i>Height</i>	<i>Depth</i>	Sold in Multiples of: 24 linear feet (3 sticks)	<i>Alder (ALD), Cherry (CH), Hard Maple (HMP), Oak (OK), Poplar (POP)</i>
1"	7/16"		



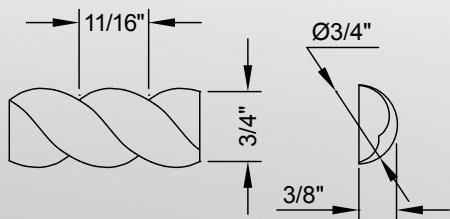


Half Round Rope

Moulding
& Trim

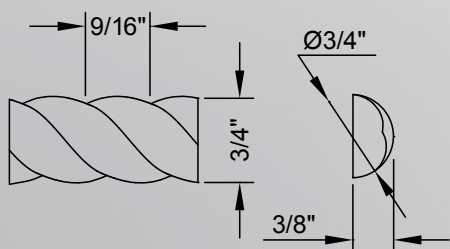
"xx" in item number represents species code

Shown actual size



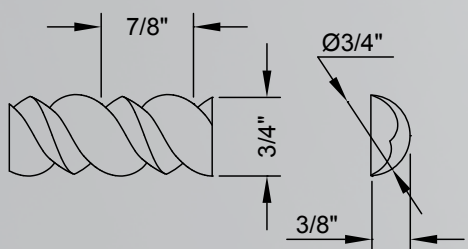
RMH34xx

Height	Depth	Sold in Multiples of: 64 linear feet (8 sticks)	Alder (ALD), Cherry (CH), Hard Maple (HMP), Oak (OK), Poplar (POP)
3/4"	3/8"		



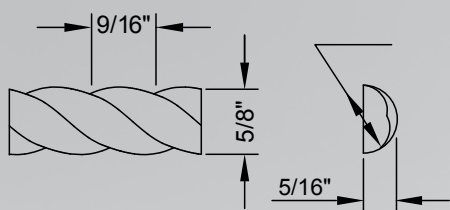
RMH34Txx

Height	Depth	Sold in Multiples of: 64 linear feet (8 sticks)	Alder (ALD), Cherry (CH), Hard Maple (HMP), Oak (OK), Poplar (POP)
3/4"	3/8"		



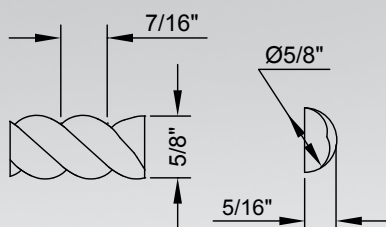
RMH34Bxx

Height	Depth	Sold in Multiples of: 64 linear feet (8 sticks)	Alder (ALD), Cherry (CH), Hard Maple (HMP), Oak (OK), Poplar (POP)
3/4"	3/8"		



RMH58xx

Height	Depth	Sold in Multiples of: 64 linear feet (8 sticks)	Alder (ALD), Cherry (CH), Hard Maple (HMP), Oak (OK), Poplar (POP)
5/8"	5/16"		



RMH58Txx

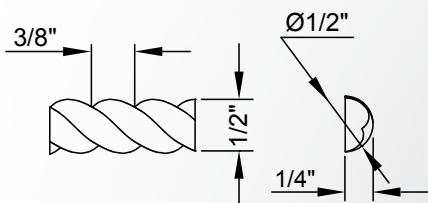
Height	Depth	Sold in Multiples of: 64 linear feet (8 sticks)	Alder (ALD), Cherry (CH), Hard Maple (HMP), Oak (OK), Poplar (POP)
5/8"	5/16"		

Half Round Rope

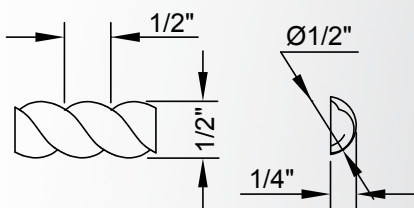


Shown actual size

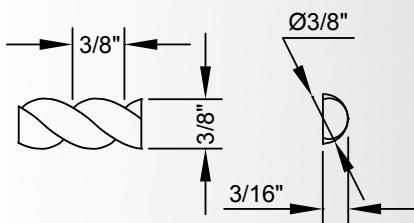
Priced by the linear foot (LF) and sold by the 8' stick.
Sold in multiples designated in item tables below.



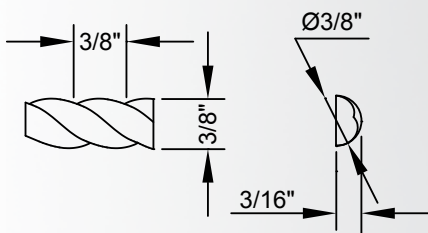
RMH12xx			
Height	Depth	Sold in Multiples of:	Alder (ALD), Cherry (CH), Hard Maple (HMP), Oak (OK), Poplar (POP)
1/2"	1/4"	64 linear feet (8 sticks)	



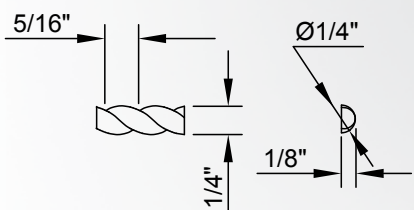
RMH12Txx			
Height	Depth	Sold in Multiples of:	Alder (ALD), Cherry (CH), Hard Maple (HMP), Oak (OK), Poplar (POP)
1/2"	1/4"	64 linear feet (8 sticks)	



RMH38xx			
Height	Depth	Sold in Multiples of:	Alder (ALD), Cherry (CH), Hard Maple (HMP), Oak (OK), Poplar (POP)
3/8"	3/16"	64 linear feet (8 sticks)	



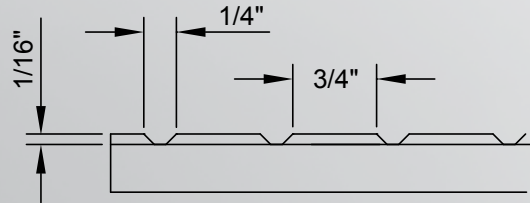
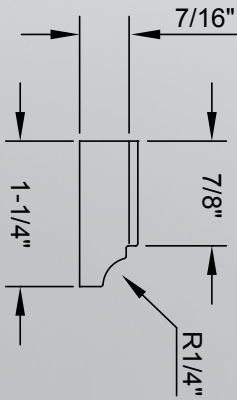
RMH38Txx			
Height	Depth	Sold in Multiples of:	Alder (ALD), Cherry (CH), Hard Maple (HMP), Oak (OK), Poplar (POP)
3/8"	3/16"	64 linear feet (8 sticks)	



RMH14xx			
Height	Depth	Sold in Multiples of:	Alder (ALD), Cherry (CH), Hard Maple (HMP), Oak (OK), Poplar (POP)
1/4"	1/8"	64 linear feet (8 sticks)	

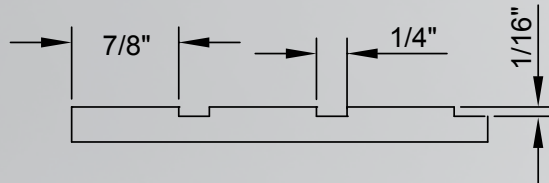
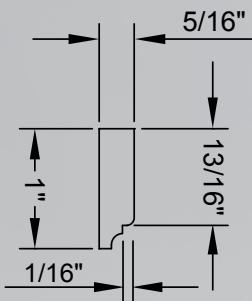
"xx" in item number represents species code

Shown actual size



DEN1xx[†]

Height	Depth	Sold in Multiples of:	Species
1-1/4"	1/2"	24 linear feet (3 sticks)	Alder (ALD), Hard Maple (HMP)



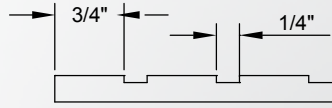
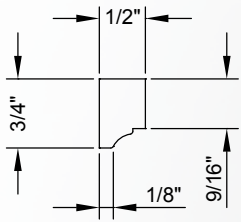
DEN10xx[†]

Height	Depth	Sold in Multiples of:	Species
1"	5/16"	40 linear feet (5 sticks)	Poplar (POP)



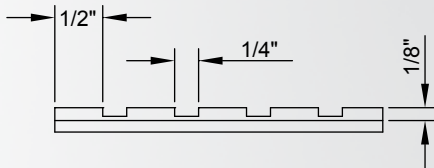
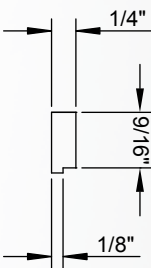
Shown actual size

Priced by the linear foot (LF) and sold by the 8' stick.
Sold in multiples designated in item tables below.



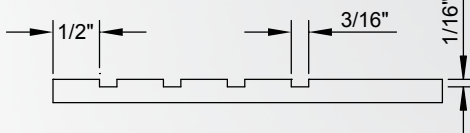
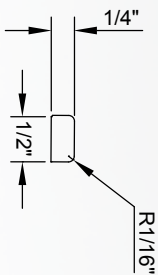
DEN19^{XX}

Height	Depth	Sold in Multiples of: 40 linear feet (5 sticks)	Alder (ALD), Cherry (CH), Hard Maple (HMP), Oak (OK), Poplar (POP)
3/4"	1/2"		



DEN18^{XX}

Height	Depth	Sold in Multiples of: 64 linear feet (8 sticks)	Alder (ALD), Cherry (CH), Hard Maple (HMP), Oak (OK), Poplar (POP)
5/8"	1/4"		

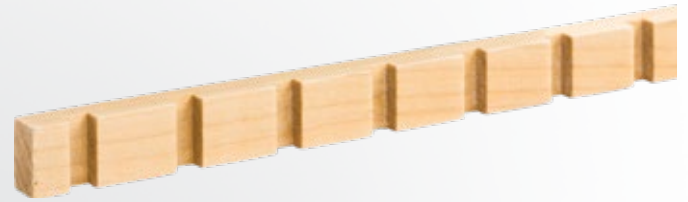
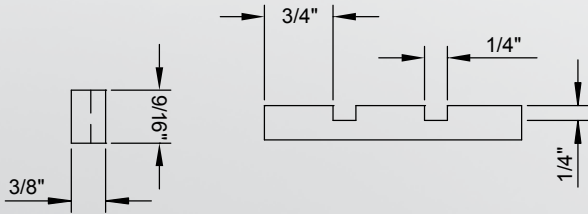


DEN5^{XX}

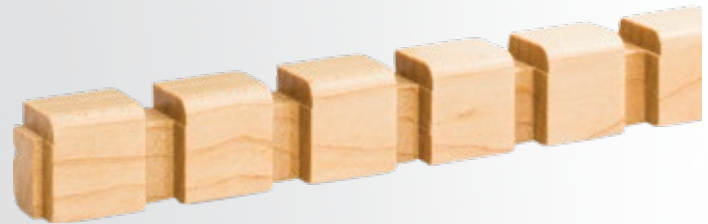
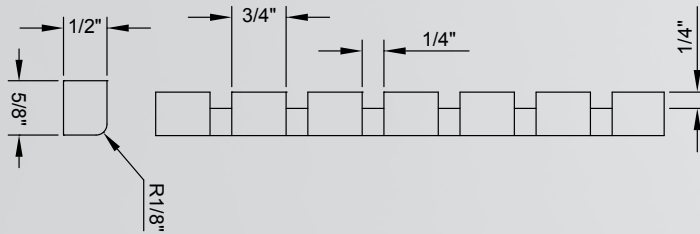
Height	Depth	Sold in Multiples of: 64 linear feet (8 sticks)	Alder (ALD), Cherry (CH), Hard Maple (HMP), Oak (OK), Poplar (POP)
1/2"	1/4"		

"xx" in item number represents species code

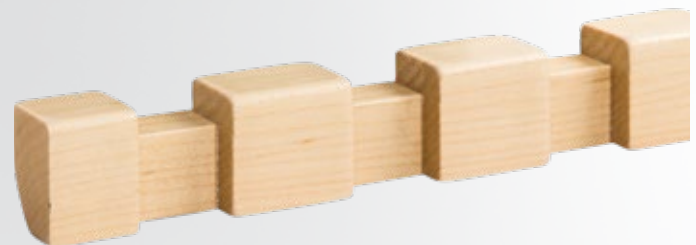
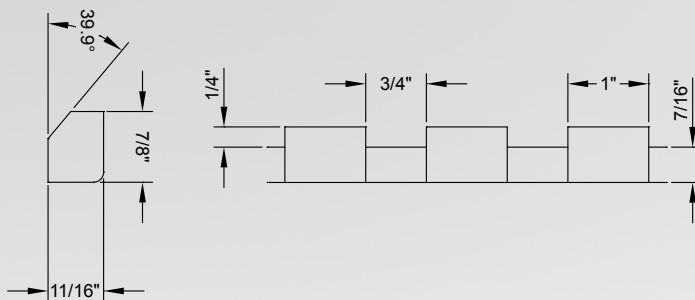
Shown actual size



DEN21xx			
<i>Height</i>	<i>Depth</i>	Sold in Multiples of: 64 linear feet (8 sticks)	Alder (ALD), Cherry (CH), Hard Maple (HMP), Oak (OK), Poplar (POP)
9/16"	3/8"		



DEN8xx			
<i>Height</i>	<i>Depth</i>	Sold in Multiples of: 40 linear feet (5 sticks)	Alder (ALD), Cherry (CH), Hard Maple (HMP), Oak (OK), Poplar (POP)
5/8"	1/2"		

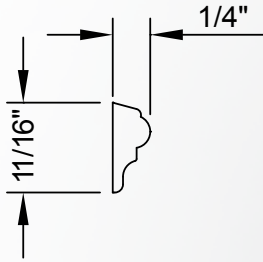


DEN9xx			
<i>Height</i>	<i>Depth</i>	Sold in Multiples of: 40 linear feet (5 sticks)	Alder (ALD), Hard Maple (HMP), Oak (OK), Poplar (POP)
7/8"	11/16"		

Embossed

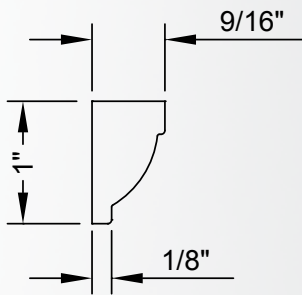


Priced by the linear foot (LF) and sold by the 8' stick.
Sold in multiples designated in item tables below.



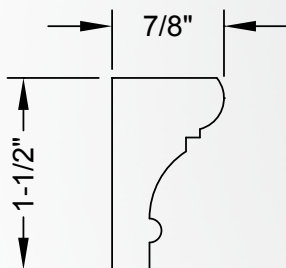
EM-3xx[†]

Height	Depth	Sold in Multiples of:	Poplar (POP)
1 1/16"	1/4"	24 linear feet (3 sticks)	




EM-4xx

Height	Depth	Sold in Multiples of:	Alder (ALD), Cherry (CH), Hard Maple (HMP), Poplar (POP)
1"	9/16"	24 linear feet (3 sticks)	

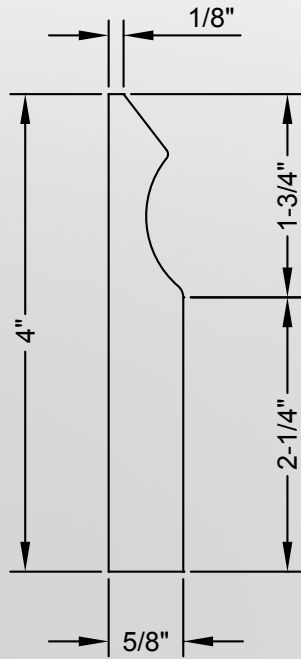


EM-2xx[†]

Height	Depth	Sold in Multiples of:	Alder (ALD), Hard Maple (HMP)
1-1/2"	7/8"	24 linear feet (3 sticks)	

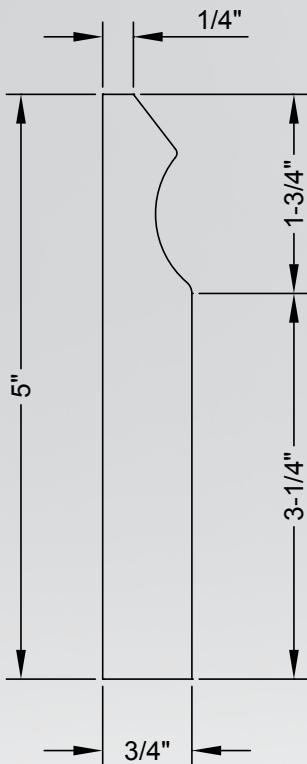
 These products are being retired.
Check availability online or call for products marked with "†".

"xx" in item number represents species code



BASE1-4-xx

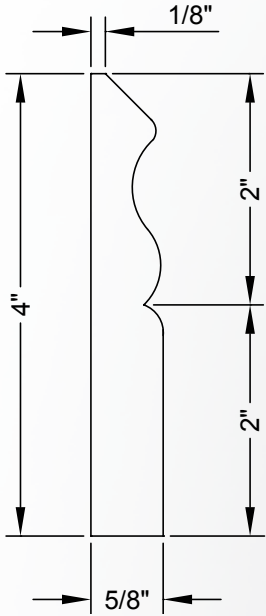
Height	Depth	Sold in Multiples of:	Hard Maple (HMP), Poplar (POP)
4"	5/8"	24 linear feet (3 sticks)	



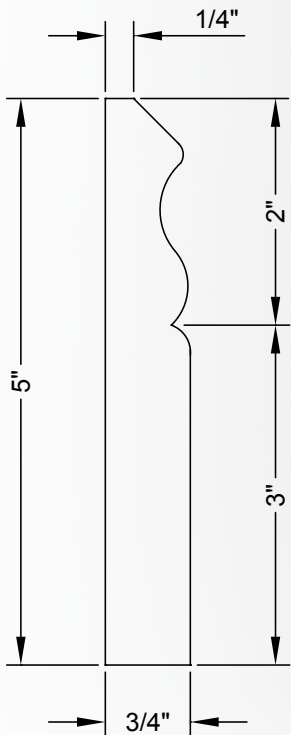
BASE1-5-xx

Height	Depth	Sold in Multiples of:	Hard Maple (HMP), Poplar (POP)
5"	3/4"	24 linear feet (3 sticks)	

Priced by the linear foot (LF) and sold by the 8' stick.
Sold in multiples designated in item tables below.

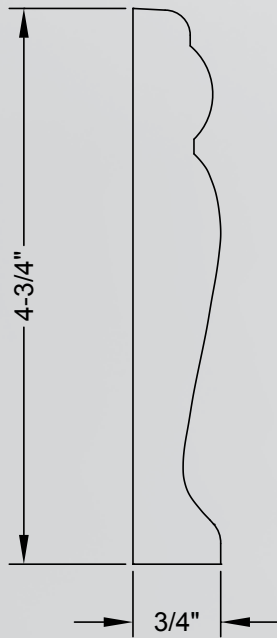


BASE2-4-XX			
<i>Height</i>	<i>Depth</i>	Sold in Multiples of: 24 linear feet (3 sticks)	Hard Maple (HMP), Poplar (POP)
4"	5/8"		



BASE2-5-XX			
<i>Height</i>	<i>Depth</i>	Sold in Multiples of: 24 linear feet (3 sticks)	Hard Maple (HMP), Poplar (POP)
5"	3/4"		

"xx" in item number represents species code



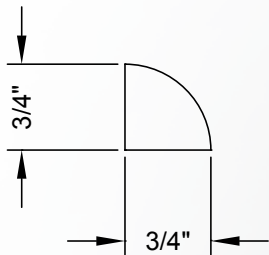
BASE5-xx			
<i>Height</i>	<i>Depth</i>	Sold in Multiples of:	<i>Hard Maple (HMP), Poplar (POP)</i>
4-3/4"	3/4"	24 linear feet (3 sticks)	

Accent

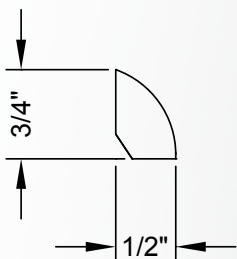


Priced by the linear foot (LF) and sold by the 8' stick.
Sold in multiples designated in item tables below.

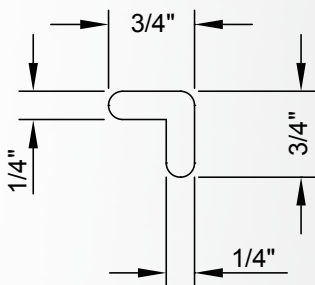
Shown actual size



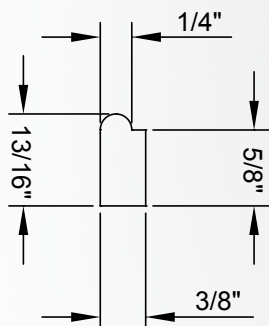
34QTR^{xx}	
Height	Depth
3/4"	3/4"
Sold in Multiples of: 40 linear feet (5 sticks)	
Alder (ALD), Cherry (CH), Hard Maple (HMP), Oak (OK), Poplar (POP)	



12QTR^{xx}	
Height	Depth
3/4"	1/2"
Sold in Multiples of: 40 linear feet (5 sticks)	
Alder (ALD), Cherry (CH), Hard Maple (HMP), Oak (OK), Poplar (POP)	



OCM1^{xx}			
Height	Depth	Sold in Multiples of: 40 linear feet (5 sticks)	Alder (ALD), Cherry (CH), Hard Maple (HMP), Oak (OK), Poplar (POP)
3/4"	3/4"		



BFM1^{xx}			
Height	Depth	Sold in Multiples of: 64 linear feet (8 sticks)	Alder (ALD), Cherry (CH), Hard Maple (HMP), Oak (OK), Poplar (POP)
13/16"	3/8"		

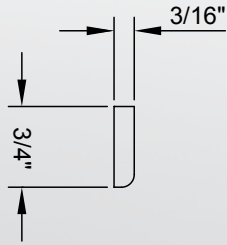


Accent

Moulding & Trim

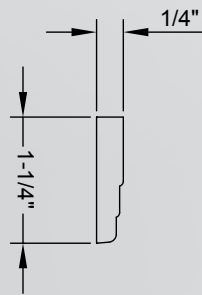
"xx" in item number represents species code

Shown actual size



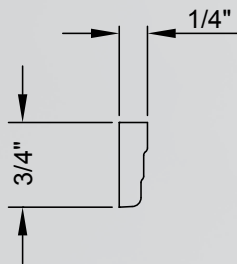
SCRIBE1xx

Height	Depth	Sold in Multiples of: 64 linear feet (8 sticks)	Alder (ALD), Cherry (CH), Hard Maple (HMP), Oak (OK), Poplar (POP)
3/4"	3/16"		



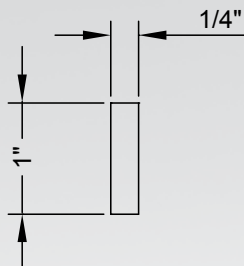
SCRIBE2xx

Height	Depth	Sold in Multiples of: 64 linear feet (8 sticks)	Alder (ALD), Hard Maple (HMP), Oak (OK)
1-1/4"	1/4"		



SCRIBE3xx

Height	Depth	Sold in Multiples of: 64 linear feet (8 sticks)	Alder (ALD), Hard Maple (HMP), Oak (OK)
3/4"	1/4"		



SCRIBE7-xx

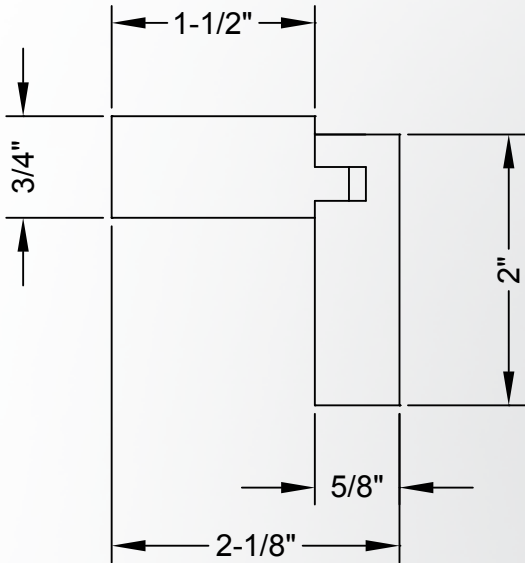
Height	Depth	Sold in Multiples of: 64 linear feet (8 sticks)	Hard Maple (HMP), Poplar (POP)
1"	1/4"		

Light Rail



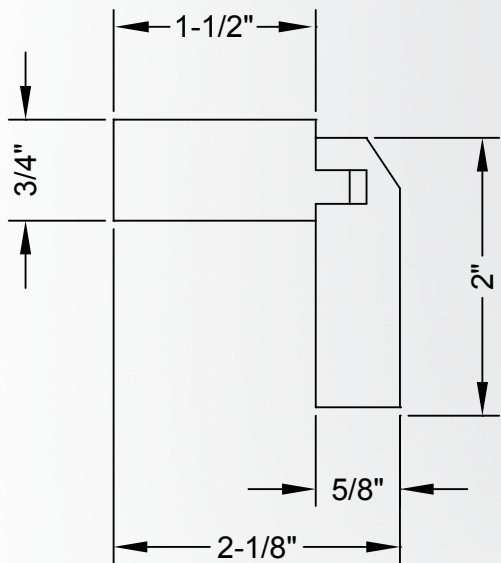
Priced by the linear foot (LF) and sold by the 8' stick.
Sold in multiples designated in item tables below.

Shown actual size



LR005-XX

Height	Depth	Sold in Multiples of: 24 linear feet (3 sticks)	Alder (ALD), Cherry (CH), Hard Maple (HMP), Oak (OK), Poplar (POP)
2-1/8"	2-1/8"		



LR006-XX

Height	Depth	Sold in Multiples of: 24 linear feet (3 sticks)	Cherry (CH), Hard Maple (HMP), Oak (OK), Poplar (POP)
2-1/8"	2-1/8"		

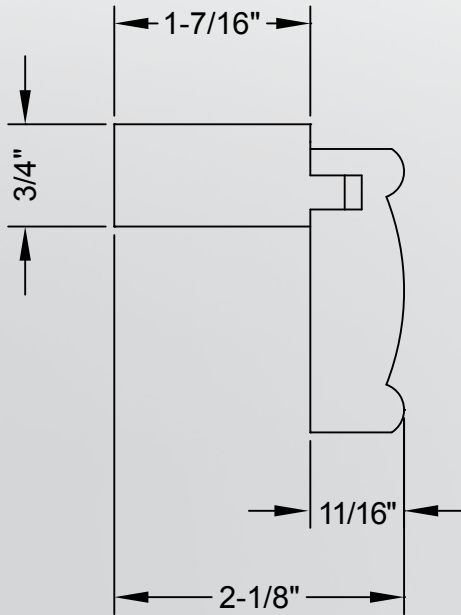


Light Rail

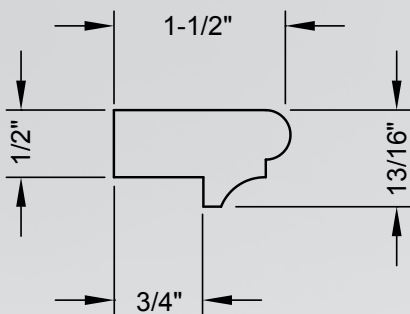
Moulding & Trim

"xx" in item number represents species code

Shown actual size



LR002-xx			
Height	Depth	Sold in Multiples of: 24 linear feet (3 sticks)	Alder (ALD), Cherry (CH), Hard Maple (HMP), Oak (OK), Poplar (POP)
2-1/4"	2-1/8"		



LR001-xx			
Height	Depth	Sold in Multiples of: 24 linear feet (3 sticks)	Alder (ALD), Cherry (CH), Hard Maple (HMP), Oak (OK), Poplar (POP)
13/16"	1-1/2"		

Light Rail

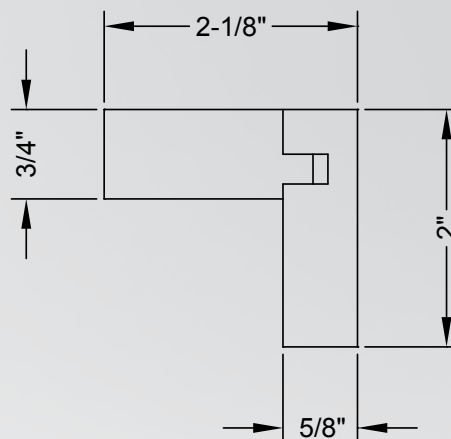
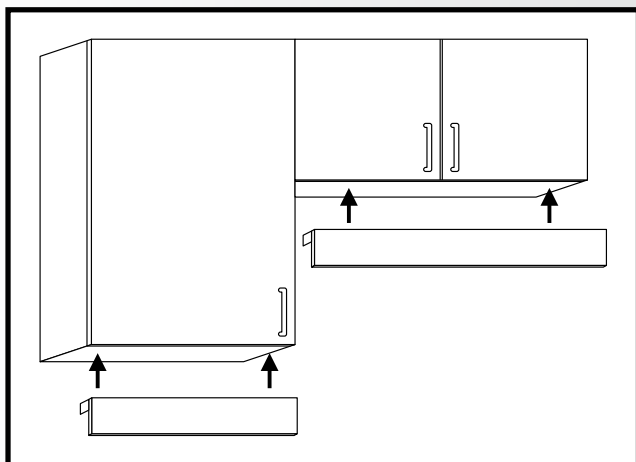


Priced by the linear foot (LF) and sold by the 8' stick.
Sold in multiples designated in item tables below.



*Designed for
Frameless
Cabinets*

LR005-F-XX			
Height	Depth	Sold in Multiples of:	Alder (ALD), Cherry (CH), Hard Maple (HMP), Oak (OK), Poplar (POP)
2"	2-1/8"	24 linear feet (3 sticks)	



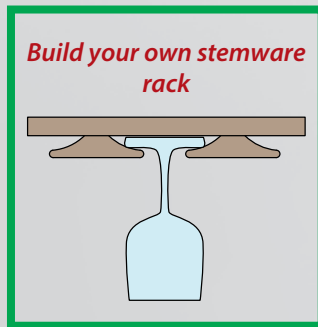
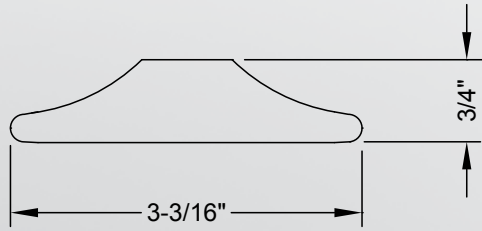


Stemware

Moulding & Trim

"xx" in item number represents species code

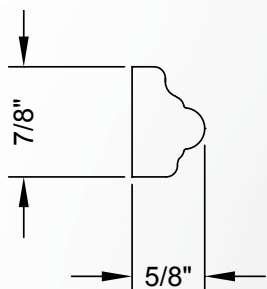
Shown actual size



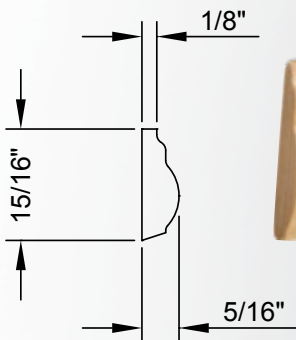
STMW-xx			
<i>Height</i>	<i>Depth</i>	Sold in Multiples of:	<i>Alder (ALD), Hard Maple (HMP)</i>
3/4"	3-3/16"	24 linear feet (3 sticks)	

Priced by the linear foot (LF) and sold by the 8' stick.
Sold in multiples designated in item tables below.

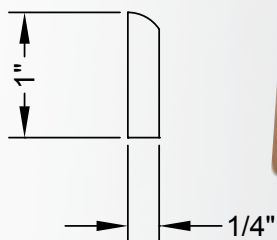
Shown actual size



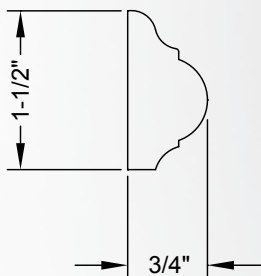
BM1XX			
Height	Depth	Sold in Multiples of: 40 linear feet (5 sticks)	Alder (ALD), Cherry (CH), Hard Maple (HMP), Oak (OK), Poplar (POP)
7/8"	5/8"		



BM2XX			
Height	Depth	Sold in Multiples of: 64 linear feet (8 sticks)	Alder (ALD), Cherry (CH), Hard Maple (HMP), Oak (OK), Poplar (POP)
15/16"	5/16"		



BM3XX			
Height	Depth	Sold in Multiples of: 64 linear feet (8 sticks)	Alder (ALD), Cherry (CH), Hard Maple (HMP), Oak (OK), Poplar (POP)
1"	1/4"		



BM4XX			
Height	Depth	Sold in Multiples of: 24 linear feet (3 sticks)	Alder (ALD), Cherry (CH), Hard Maple (HMP), Oak (OK), Poplar (POP)
1-1/2"	3/4"		



CAP6-2

Width	Depth	Height
3-7/16"	1-3/4"	4-13/16"
Carton Quantity:		50

Alder, Cherry, Hard Maple, Oak, Rubberwood



CAP6-150

Width	Depth	Height
2-5/8"	1-5/16"	3-5/8"
Carton Quantity:		100

Alder, Cherry, Hard Maple, Oak, Rubberwood



CAP6-250

Width	Depth	Height
4-7/16"	2-3/16"	5-7/8"
Carton Quantity:		50

Alder, Cherry, Hard Maple, Oak, Rubberwood



SPLH150

Width	Depth	Height
2-1/4"	1-1/16"	10"
Carton Quantity:		50

Alder, Cherry, Hard Maple, Oak, Poplar



SPLH2

Width	Depth	Height
2-3/4"	1-5-16"	10"
Carton Quantity:		45

Alder, Cherry, Hard Maple, Oak, Poplar



SPLH250

Width	Depth	Height
3-1/4"	1-9/16"	10"
Carton Quantity:		40

Alder, Cherry, Hard Maple, Oak, Poplar



SPLICE150

Width	Depth	Height
2-1/4"	1-1/8"	2-1/2"

Carton Quantity: 50

Alder, Cherry, Hard Maple, Oak



SPLICE2

Width	Depth	Height
2-3/4"	1-3/8"	3"

Carton Quantity: 50

Alder, Cherry, Hard Maple, Oak



SPLICE250

Width	Depth	Height
3-1/4"	1-5/8"	3-1/2"

Carton Quantity: 50

Alder, Cherry, Hard Maple, Oak



TF150

Width	Depth	Height
2-1/4"	1-1/8"	3-1/2"

Carton Quantity: 100

Alder, Cherry, Hard Maple, Oak



TF2

Width	Depth	Height
2-3/4"	1-3/8"	4-1/2"

Carton Quantity: 100

Alder, Cherry, Hard Maple, Oak



TF250

Width	Depth	Height
3-1/4"	1-5/8"	5-1/2"

Carton Quantity: 100

Alder, Cherry, Hard Maple, Oak, Rubberwood



Columns

Moulding & Trim

"xx" in item number represents species code



CMR150xx[†]

Width	Depth
1-1/2"	11/16"

Sold in Multiples of:
24 linear feet (3 sticks)

Alder (ALD), Cherry (CH), Hard Maple (HMP), Oak (OK), Poplar (POP)

CMR2xx[†]

Width	Depth
2"	7/8"

Sold in Multiples of:
24 linear feet (3 sticks)

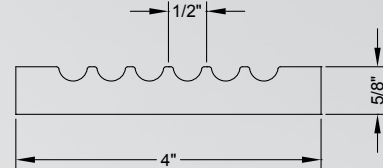
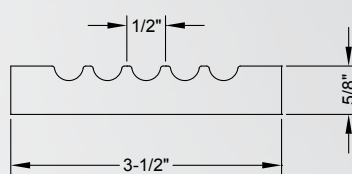
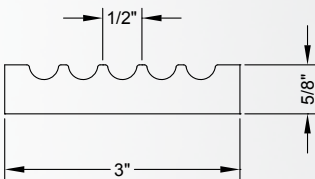
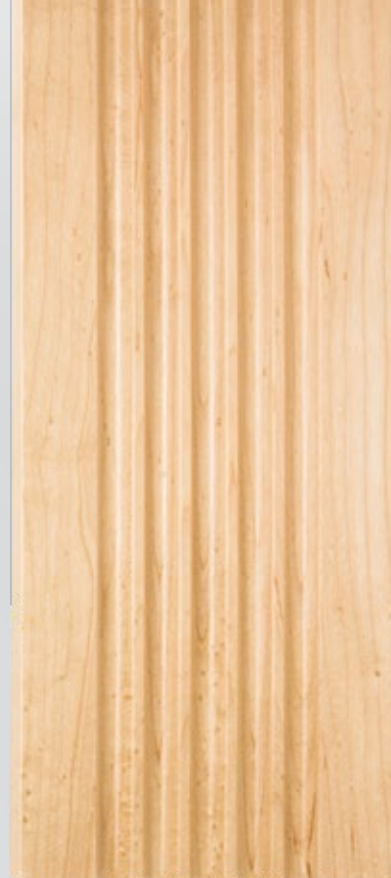
Cherry (CH)



Fluted Columns



Priced by the linear foot (LF) and sold by the 8' stick.
Sold in multiples designated in item tables below.

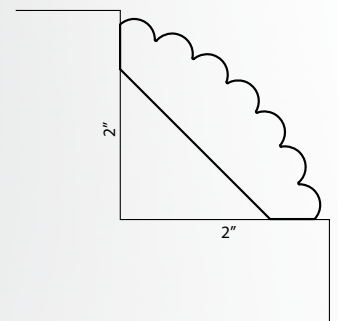
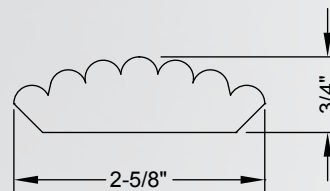
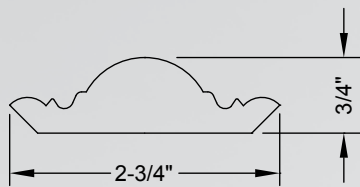


FLT2XX		
Width	Depth	Length
3"	5/8"	96"
Sold in Multiples of: 24 linear feet (3 sticks)		
Alder (ALD), Cherry (CH), Oak (OK), Poplar (POP)		

FLT3XX		
Width	Depth	Length
3-1/2"	5/8"	96"
Sold in Multiples of: 24 linear feet (3 sticks)		
Alder (ALD), Cherry (CH), Hard Maple (HMP), Oak (OK), Poplar (POP)		

FLT4XX		
Width	Depth	Length
4"	5/8"	96"
Sold in Multiples of: 24 linear feet (3 sticks)		
Alder (ALD), Cherry (CH), Hard Maple (HMP), Oak (OK), Poplar (POP)		

"xx" in item number represents species code



CC4xx		
Width	Depth	Length
2-3/4"	3/4"	96"

Sold in Multiples of:
24 linear feet (3 sticks)

Alder (ALD), Cherry (CH), Hard
Maple (HMP), Oak (OK), Poplar
(POP)

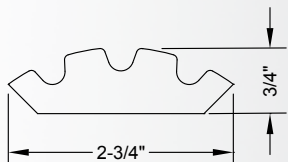
CC5xx		
Width	Depth	Length
2-5/8"	3/4"	96"

Sold in Multiples of:
24 linear feet (3 sticks)

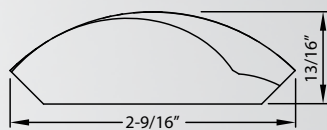
Alder (ALD), Cherry (CH), Hard
Maple (HMP), Oak (OK), Poplar
(POP)

Corners

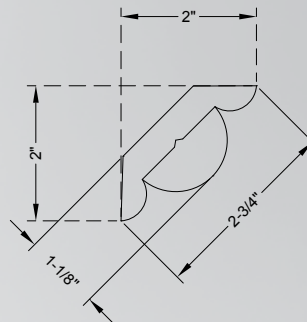
Priced by the linear foot (LF) and sold by the 8' stick.
Sold in multiples designated in item tables below.



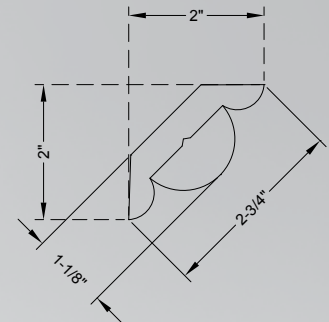
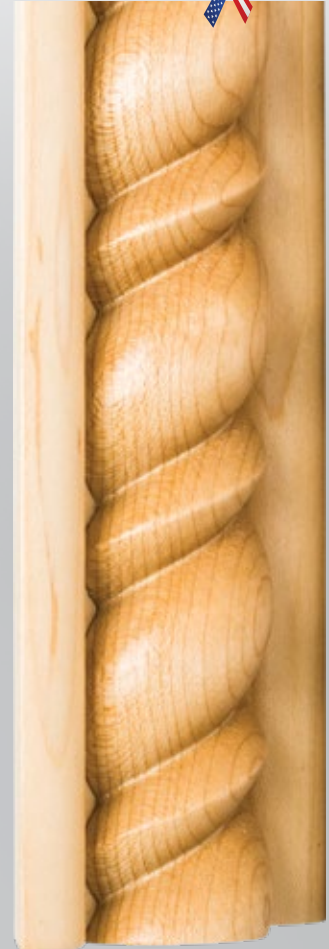
CC1XX		
Width	Depth	Length
2-3/4"	3/4"	96"
Sold in Multiples of: 24 linear feet (3 sticks)		
Alder (ALD), Cherry (CH), Hard Maple (HMP), Oak (OK), Poplar (POP)		



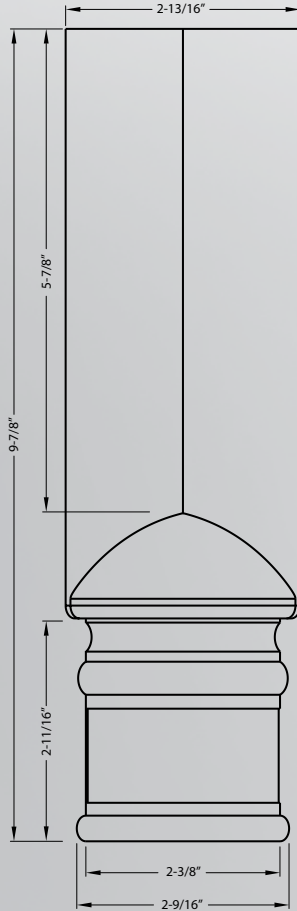
CC2XX		
Width	Depth	Length
2-11/16"	7/8"	96"
Sold in Multiples of: 24 linear feet (3 sticks)		
Alder (ALD), Ash (ASH), Cherry (CH), Hard Maple (HMP), Oak (OK), Poplar (POP)		



MC5XX		
Width	Depth	Length
2-3/4"	1-1/8"	96"
Sold in Multiples of: 24 linear feet (3 sticks)		
Alder (ALD), Cherry (CH), Hard Maple (HMP), Oak (OK), Poplar (POP)		



MC5BXX		
Width	Depth	Length
2-3/4"	1-1/16"	96"
Sold in Multiples of: 24 linear feet (3 sticks)		
Alder (ALD), Cherry (CH), Hard Maple (HMP), Oak (OK), Poplar (POP)		

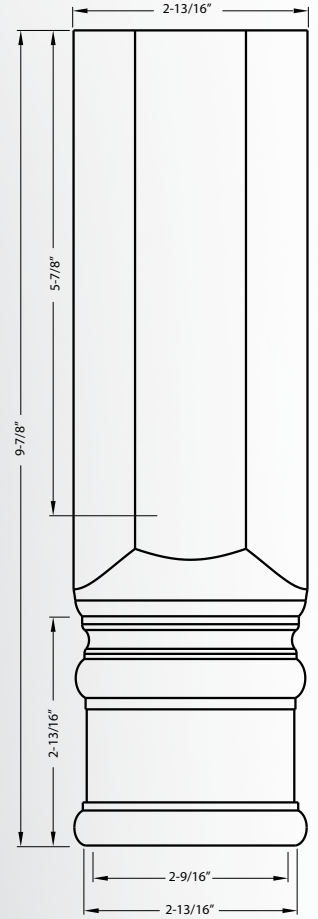
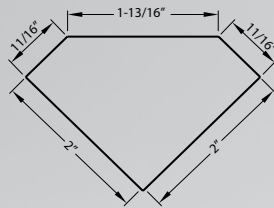


TB1

Width	Depth	Height
2-7/8"	1-7/8"	9-7/8"

Carton Quantity: 50

Alder, Cherry, Hard Maple, Oak, Rubberwood

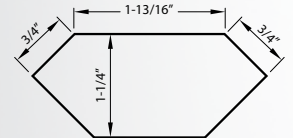


TB1A

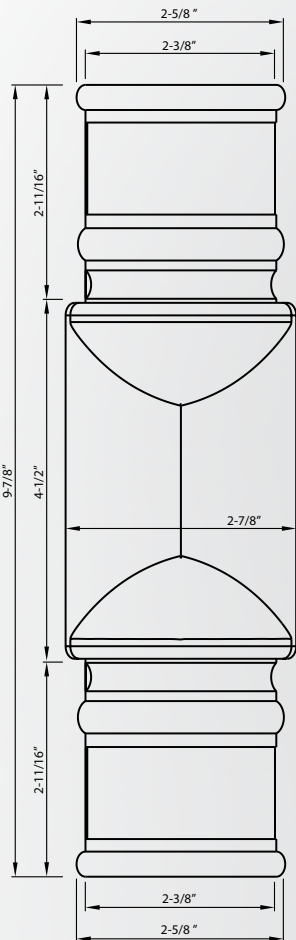
Width	Depth	Height
2-13/16"	1-1/4"	9-7/8"

Carton Quantity: 50

Alder, Cherry, Hard Maple, Oak, Rubberwood

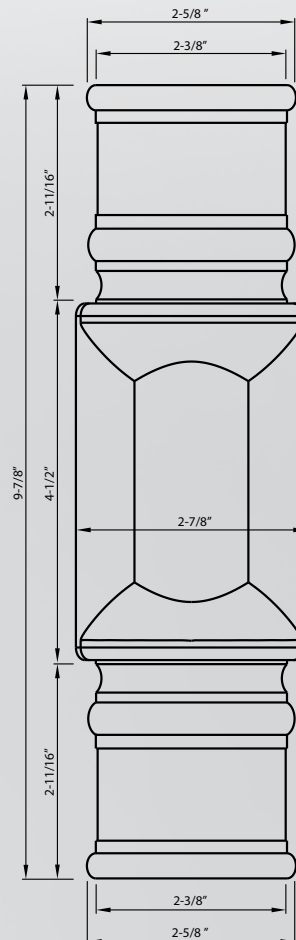
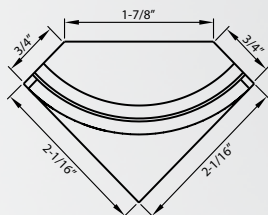


Transition Blocks



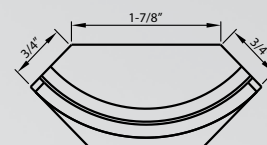
TB5		
Width	Depth	Height
2-7/8"	2"	9-7/8"
Carton Quantity:		50

Alder, Cherry, Hard Maple, Oak, Rubberwood



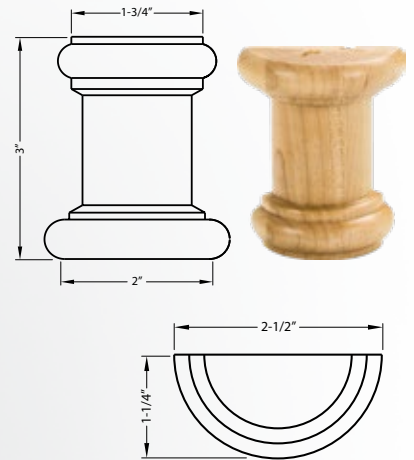
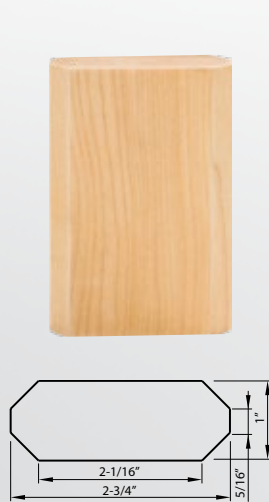
TB5A		
Width	Depth	Height
2-7/8"	2"	9-7/8"
Carton Quantity:		50

Alder, Cherry, Hard Maple, Oak, Rubberwood



Transition Blocks

Moulding
& Trim



TB4

Width	Depth	Height
2-3/4"	1"	4"
Carton Quantity:		50

Alder, Cherry, Hard Maple, Oak, Poplar

TB3

Width	Depth	Height
2-11/16"	7/8"	4"
Carton Quantity:		100

Alder, Cherry, Hard Maple, Oak, Poplar

SPOL1

Width	Depth	Height
2-1/2"	1-1/4"	3"
Carton Quantity:		100

Cherry, Hard Maple, Rubberwood

TB7

Width	Depth	Height
2-1/4"	1-1/8"	11-1/4"
Carton Quantity:		50

Hard Maple, Rubberwood



PLN1

Width	Depth	Height
5-1/2"	7/8"	10"
Carton Quantity:		20

Rubberwood

PLN2

Width	Depth	Height
3-1/2"	7/8"	10"
Carton Quantity:		25

Rubberwood

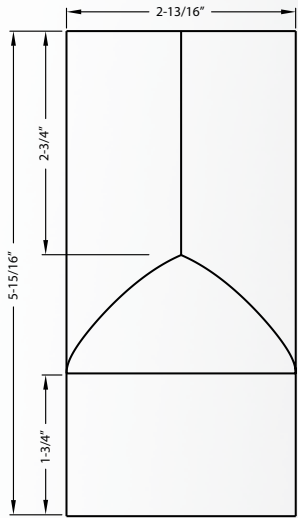
Moulding Cornice Blocks



Outside Cornice Block

Inline Cornice Block

Inside Cornice Block



MCB-3

Width	Depth	Height
4"	4"	6-1/4"

Carton Quantity: 20

Rubberwood

MCB-1

Width	Depth	Height
3"	3"	6-1/4"

Carton Quantity: 20

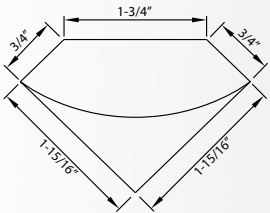
Rubberwood

MCB-2

Width	Depth	Height
3"	3"	6-1/4"

Carton Quantity: 20

Rubberwood

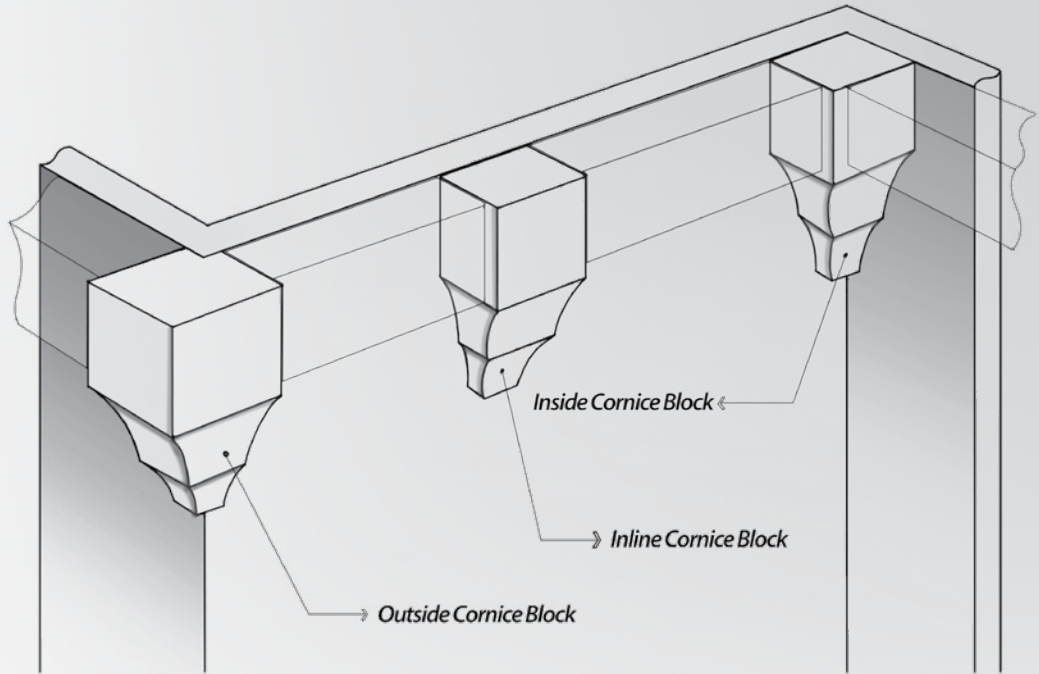


TB2

Width	Depth	Height
2-13/16"	1-7/8"	5-15/16"

Carton Quantity: 50

Alder, Cherry, Hard Maple, Oak, Rubberwood





ROS1		
Width	Depth	Height
3"	7/8"	3"
Carton Quantity:		100
Alder, Hard Maple, Oak		



ROS2		
Width	Depth	Height
3"	7/8"	3"
Carton Quantity:		100
Alder, Hard Maple		



ROS3		
Width	Depth	Height
3-1/2"	1-1/8"	3-1/2"
Carton Quantity:		100
Alder, Hard Maple, Oak		



ROS6		
Width	Depth	Height
5-1/2"	7/8"	5-1/2"
Carton Quantity:		30
Rubberwood		



ROS5		
Width	Depth	Height
3-1/2"	7/8"	3-1/2"
Carton Quantity:		100
Rubberwood		



ROS4		
Width	Depth	Height
4"	1"	4"
Carton Quantity:		100
Hard Maple, Oak, Poplar		

Rosettes



SROS1

Width	Depth	Height
3"	7/8"	3"
Carton Quantity:		100

Alder, Hard Maple,
Rubberwood, White Birch

SROS2

Width	Depth	Height
3-1/2"	7/8"	3-1/2"
Carton Quantity:		100

Alder, Hard Maple,
Rubberwood, White Birch

SROS3

Width	Depth	Height
4"	7/8"	4"
Carton Quantity:		50

Alder, Hard Maple,
Rubberwood, White Birch



FDLROS1

Width	Depth	Height
3"	7/8"	3"
Carton Quantity:		100

Alder, Cherry, Hard Maple,
Oak, Rubberwood

FDLROS2

Width	Depth	Height
3-1/2"	7/8"	3-1/2"
Carton Quantity:		100

Alder, Cherry, Hard Maple,
Oak, Rubberwood

FDLROS3

Width	Depth	Height
4"	7/8"	4"
Carton Quantity:		50

Alder, Cherry, Hard Maple,
Oak, Rubberwood

2020
A **Cyncly** Company

Visualize our products in
your designs by adding
our product catalogs to
2020 Design.



Scan to view all of our design software product
catalogs and a full Excel SKU list. Or visit:
<https://designsoftware.hardwareresources.com>



Our 2020 Design product catalogs:

- Decorative Wood
- NorthPoint Cabinetry
- Jeffrey Alexander Vanities
- Cabinet Organizers
- Task Lighting & Power
- Decorative Hardware

**NORTH
POINT**
CABINETS®

JEFFREY ALEXANDER®
by Hardware Resources
ELEMENTS®
by Hardware Resources

TASK™
lighting & power

For troubleshooting or software design issues, please contact the 2020 helpdesk at
866-697-2020 or email them at residentialsupport@2020spaces.com

hardware
resources®

800.463.0660 | www.HardwareResources.com

[373]

Dovetail Drawer Boxes



*Scan to watch a video about
our dovetail drawer boxes*

Or visit delivr.com/2an3s



Our custom dovetail drawer boxes are available in a wide range of sizes and species making them the perfect fit for any project. Save your labor and upgrade your project with our custom dovetail drawer boxes, proudly assembled in the USA. We can also add value to your project with complimentary laser logo engraving inside the drawer boxes.

Ordering specifications:

- Standard drawer, rollout, or high-back rollout boxes
- Assembled or unassembled
- Standard heights with custom depth & width
- 1/4" standard or 1/2" bottom
- Optional universal notch for undermount slides
- Optional undermount slide clip factory installed

Easy Online
Ordering &
Instant Price
Quoting

See website
for details

Production and delivery:

- Competitive pricing
- Standard 7-day turnaround after order confirmation
- Quick-to-ship production for qualifying states

- A** 5/8" Hard Maple UV Coated or Unfinished
- B** 5/8" Aspen UV Coated
- C** 5/8" White Birch, Imported, Finger Jointed. UV Coated
- D** 5/8" Rustic White Birch, Imported, Finger Jointed . . UV Coated
- E** 5/8" Rubberwood, Imported, Finger Jointed UV Coated
- F** 1/2" Birch Plywood UV Coated or Unfinished
- G** 1/2" Birch Plywood Edgebanded UV Coated



HEIGHT OPTIONS	2"	2.5"	3"	3.5"	4"	5"	6"	7"	8"	9"	9.5"	10"	11"	12"
1/2" Birch Plywood	x	x	x	x	x	x	x	x	x	x	x	x	x	
1/2" Edgebanded Plywood		x	x		x	x	x	x	x	x		x	x	
5/8" Hardwoods	x	x	x	x	x	x	x	x	x	x	x	x	x	x
High-Back (all species)							x	x	x	x	x	x	x	x

*All high-back drawers will have a 3" front and a scoop cutout on the front face. 6" minimum height.

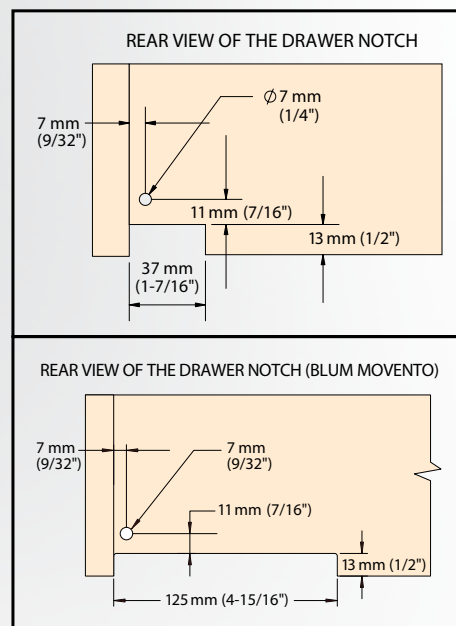
SIZING	Min. Depth	Max. Depth	Min. Width (without clips)	Min. Width (with clips)	Max. Width	Min. Height
Standard Drawer						
5/8" Material	7"	51"	6"	See table below	51"	2"
1/2" Material	7"	51"	6"	See table below	51"	2"
Rollout Drawer						
5/8" Material	7"	51"	6"	See table below	51"	2"
1/2" Material	7"	51"	6"	See table below	51"	2"
High-Back Rollout						
5/8" Material	12"	51"	5-1/2"	See table below	51"	6"
1/2" Material	12"	51"	5-1/2"	See table below	51"	6"

MIN. BOX WIDTH WITH UNDERMOUNT (See clip details on pages 28-29)

	US-CLIP2ND-XX	US-CLIP-2W	US-CLIP-NR	USCLIP500-2-XX
5/8" Material	7.25"	6.25"	4.875"	8.25"
1/2" Material	7"	6"	4.5"	8"

#6 x 5/8" pan head screw recommended for installation.

Drawer boxes are cut and assembled in the USA by Hardware Resources. Hard Maple and Aspen are North American hardwoods. White Birch, Rustic White Birch, and Rubberwood are imported A/B grade hardwood, laminated & finger jointed. Birch plywood is Carb Compliant 9-ply high density plywood with no internal voids. UV cured coating is 100% solid and contains no VOC. Each UV coated piece is double coated to ensure a lasting finish.



Rollouts & High-Back Rollouts



Rollout

High-Back Rollout
(minimum 6" height)

Finger joints may be visible on top edge of box for White Birch

Drawer Box Linear Material



White Birch, Finger Jointed

	Height	Thickness	Coating	Ctn Qty
DW58X030	3"	5/8"	UV Coated	80LF
DW58X035	3-1/2"	5/8"	UV Coated	80LF
DW58X040	4"	5/8"	UV Coated	80LF
DW58X060	6"	5/8"	UV Coated	40LF
DW58X080	8"	5/8"	UV Coated	40LF
DW58X100	10"	5/8"	UV Coated	40LF

White Birch drawer box linear material is sold in 8' lengths in full carton quantity only

Aspen

	Height	Thickness	Coating	Ctn Qty
DA58X030	3"	5/8"	UV Coated	80LF
DA58X040	4"	5/8"	UV Coated	80LF
DA58X060	6"	5/8"	UV Coated	72LF
DA58X080	8"	5/8"	UV Coated	56LF
DA58X100	10"	5/8"	UV Coated	56LF

Aspen drawer box linear material is sold in random lengths of 5'-8'



Complimentary High Definition Laser Engraving on Hardwood Boxes

(upcharge per box for plywood)

Simply provide a high-resolution logo file. We'll do the rest!

Accepted file types are EPS, AI, PDF, PSD, JPEG, PNG, TIFF.

Maximum logo size is 1-1/2" tall x 6" wide. Minimum box height for engraving is 3".

Not available on high-back rollouts or boxes over 24" deep.

Placed on the front left inside edge of the box.

One logo per customer. Logos are kept on file for future orders.

Don't have a logo? Choose from our preselected fonts to customize the company name.

Custom Dovetail Drawer Boxes Warranty

Hardware Resources believes in quality, integrity, and reliability. We uphold the highest standards of service and responsibility in the industry. As such, Hardware Resources believes in quality, integrity, and reliability. We uphold the highest standards of service and responsibility in the industry.

Hardware Resources warrants Dovetail Drawer Boxes against defects in material and workmanship as long as the original consumer purchaser owns the products, if the original consumer purchased the products from an authorized distributor of Hardware Resources. Hardware Resources cannot guarantee the quality or condition of products from distributors who do not agree to meet our high standards, and therefore, no warranty is provided for products from unauthorized sellers.

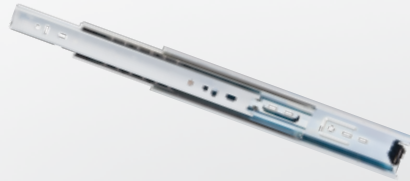
Hardware Resources will send the original consumer purchaser, without charge, a new drawer box of equal size and species to replace any defective box subject to this warranty. This warranty is a warranty of replacement only. Hardware Resources specifically does not warrant removal of the defective box nor installation of a new box. This warranty does not cover boxes that have been incorrectly installed, exposed to excessive loads or forces, or otherwise used in any manner contrary to their intended purpose. Hardware Resources purchases FAS grade lumber and will not be held responsible for naturally occurring characteristics of the species allowed by the lumber grade. In the event the defective Hardware Resources box size or type is obsolete or has been discontinued, Hardware Resources reserves the right to replace the defective box with a current offering. No guarantee of interchangeability is offered.

In the unlikely event that a defective box is encountered, please contact Customer Service at 800.463.0660. Please be able to provide a brief description and photographs of the defect.

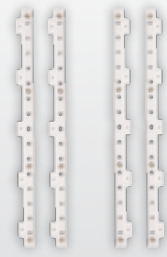
Custom Tray Organizers



Rollout Box
(Pages 380-382)



Drawer Slides
(Pages 42-43)



QuickTray Pilaster System
(Page 63)



Customized Storage Solutions



Pots & Lids

Maximize kitchen space with custom storage solutions

Our custom order-to-size rollouts are cut and assembled in our plant in Louisiana. Add our best-selling Dura-Close® drawer slides and our QuickTray pilaster system, and you can create custom storage solutions for your customers. These items are great for pantries, pot and lid storage, small kitchen appliances and miscellaneous kitchen wares. They're customizable for any size cabinet, existing or new construction.



Storage



Pantry

Skip the *measure...design...wait...* process

- Order rollout drawers that are **IN STOCK**
- Ships same day—receive it in 2–3 days
- Ships fully assembled
- Easily and quickly installs with four screws (included)
- For existing cabinets or new construction
- Designed to fit standard cabinet sizes



	Width	Depth	Height	Bottom	Minimum Opening	Standard Cab. Size	Weight Capacity
RO12-WB	10-1/4"	21-1/4"	7"	1/4"	11-1/2"	15" base	100 lb
RO15-WB	13-1/4"	21-1/4"	7"	1/4"	14-1/2"	18" base	100 lb
RO18-WB	16-1/4"	21-1/4"	7"	1/4"	17-1/2"	21" base	100 lb
RO21-WB	19-1/4"	21-1/4"	7"	1/4"	20-1/2"	24" base	100 lb
RO24-WB	22-1/16"	21-1/4"	7"	1/2"	23-1/2"	27" base	100 lb
RO27-WB	25-1/16"	21-1/4"	7"	1/2"	26-1/2"	30" base	100 lb
RO33-WB	31-1/16"	21-1/4"	7"	1/2"	32-1/2"	36" base	100 lb
ROVHB12-WB	10-1/16"	18-7/16"	9"	1/4"	11-1/2"	15" vanity	100 lb
ROVHB15-WB	13-1/16"	18-7/16"	9"	1/4"	14-1/2"	18" vanity	100 lb
ROVHB18-WB	16-1/16"	18-7/16"	9"	1/4"	17-1/2"	21" vanity	100 lb



Beautiful White Birch dovetail boxes with UV coating

Drawer boxes are assembled in our plant in the USA

Featuring concealed undermount 3/4 extension soft-close slides

For your Bath

- Reclaim the space in bathroom cabinets
- 18" depth designed for bath cabinets
- Use multiple rollouts for wide cabinets

High-Back Drawers: 8" Back & 3" Front Drawer Height



For 12" opening
ROVHB12-WB



For 15" opening
ROVHB15-WB



For 18" opening
ROVHB18-WB



ROVHB15-WB & ROVHB12-WB shown in use

For your Kitchen

Rollout Drawers: 6" Drawer Height



For 12" opening
RO12-WB

For 15" opening
RO15-WB

For 18" opening
RO18-WB

For 21" opening
RO21-WB



For 24" opening
RO24-WB
1/2" bottom panel

For 27" opening
RO27-WB
1/2" bottom panel

For 33" opening
RO33-WB
1/2" bottom panel



RO18-WB shown in use



It's That Easy!



1 Measure

Measure the cabinet's interior width, depth and height. Hold your tape parallel to the cabinet's walls. Note any pipes, shelves, or hinges that may affect actual available space.



2 Set

Set your drawer base in place making sure you can open and close the cabinet door easily.



3 Secure

Using your Phillips screwdriver (or drill) and the screws provided, secure your organizer base. Place the drawer back on the base, and you're all done!

All you need:

Phillips Screwdriver

Cordless Drill



OR

Measuring Tape



Scan to watch a video about this product
Or visit delivr.com/2uf4p



Calculating Drawer Box Sizes for Ordering

5/8" Hardwood Drawer Side Material

WIDTH

- When using Hardware Resources (HR) undermount slides, use this calculation:
 $\text{OVERALL WIDTH} = \text{DRAWER OPENING MINUS } 3/8''$.
- When using HR ball bearing or epoxy slides, $\text{OVERALL WIDTH} = \text{DRAWER OPENING MINUS } 1''$.
- When using another manufacturer's slide, follow the manufacturer's slide specifications using 5/8" drawer side material to calculate Overall Width.

HEIGHT

- When using HR undermount slides, $\text{OVERALL HEIGHT} = \text{DRAWER OPENING MINUS } 3/4''$.

LENGTH

- When using HR undermount slides, the OVERALL LENGTH should equal the corresponding slide length (example: if using the USE21 the drawer depth would be 21").
- When using another manufacturer's slide, follow the manufacturer's slide specifications using 5/8" drawer side material to calculate Overall Length.

1/2" Plywood Drawer Side Material

WIDTH

- When using HR undermount slides, $\text{OVERALL WIDTH} = \text{DRAWER OPENING MINUS } 5/8''$.
- When using HR ball bearing or epoxy slides, $\text{OVERALL WIDTH} = \text{DRAWER OPENING MINUS } 1''$.
- When using another manufacturer's slide, follow the manufacturer's slide specifications using 1/2" drawer side material to calculate Overall Width.

HEIGHT

- When using HR undermount slides, $\text{OVERALL HEIGHT} = \text{DRAWER OPENING MINUS } 3/4''$.

LENGTH

- When using HR undermount slides, the OVERALL LENGTH of the box is the corresponding slide length MINUS 1/8" (example: 20-7/8" on a 21" slide).
- When using another manufacturer's slide, follow the manufacturer's slide specifications using 1/2" drawer side material to calculate Overall Length.



Maximize every inch



Drawer Solutions

Tame drawer clutter with our selection of drawer organizers. From complete drawer solutions to dividers, we help keep the kitchen organized from cutlery to pots and pans.



Pantry Solutions

Organize everyone's favorite spot in the kitchen with a Hardware Resources' pantry solution.



For more information on cabinet organizers, scan the QR code or visit delivr.com/272ju

of kitchen storage



Pullout Solutions

Maximize cabinet storage with our award-winning pullouts. From a base cabinet pullout to a utensil pullout to a trashcan pullout, Hardware Resources helps create a beautiful and organized kitchen.

Corner Solutions

Optimize what was once wasted space, and bring those impossible-to-reach items to the homeowner's fingertips.



Waste Container Solutions

No more bending or reaching to dispose of trash. Keep unsightly waste hidden in the cabinet, yet easily accessible.

To see our full organizer product offering or to place an order, ask your sales representative for a 2023 Decorative Products & Organization Catalog.

PULLOUT SOLUTIONS

Maximize cabinet storage with Hardware Resources' base cabinet solutions. From cabinet pullouts to mixer lifts, we can help make the most of a beautiful and organized kitchen.



Double-Drawer Bottle Rollout

This innovative base cabinet rollout allows homeowners to neatly organize bottles and related accessories.



"No Wiggle" Pullout

The star of the kitchen!

Bring cabinet contents within easy reach. Our patented design eliminates the wiggle, keeping contents secure.



"No Wiggle" Tray Divider Pullout

Tame cookie sheet chaos using this easily accessible pullout divider with soft-close slides.



Appliance Lift

No more lifting heavy appliances thanks to this soft-close lift.



"No Wiggle" Utensil Pullout

Convenient storage of kitchen utensils with 4 stainless steel bins and extra storage on the bottom shelf.



For more information on cabinet organizers, scan the QR code or visit delivr.com/272ju

WASTE CONTAINER SOLUTIONS



Premium Wood Top Mount Trashcan System
Low profile design, soft-closes into cabinet with mounted door.

Neatly tuck away trashcans with a Hardware Resources waste container solution. From top or bottom mount options to premium wood or economy wire, we have a solution that will enhance your design and optimize the budget.



Storage with Style® Trashcan Pullout
Tuck away trashcans in style with two trending finish options. See our website for coordinating full product offering.



Economy Wire Trashcan System
Practical and versatile with three finish options.



Premium Wood Bottom Mount
Beautiful solid wood drawer box with concealed soft-close slides.



Premium Wood Bottom Mount with Door Kit
Beautiful solid wood drawer box with concealed soft-close slides and patented door mounting system.

PANTRY SOLUTIONS

Organize everyone's favorite spot in the kitchen with a Hardware Resources pantry solution. From the traditional pantry pullout to our innovative pantry swingout, we have a solution for pantry storage needs.



Premium Chrome Swingout

Pivots 90 degrees when fully extended, making the back of the pantry easily accessible.



Premium Wood Pullout

Natural solid wood pullout on heavy-duty slides.



Wood Swingout & Door Mount

Maximize pantry storage with swinging shelves and door mount shelves.



For more information on cabinet organizers, scan the QR code or visit delivr.com/272ju



Premium Chrome Pullout

Heavy-duty soft-close pantry pullout with stylish chrome accents.

is how you **Organize It**

DRAWER SOLUTIONS

Tame drawer clutter with Hardware Resources' drawer organizers. From complete drawer solutions to drop-in inserts, these products will help organize everything from cutlery to cookware.



PEG-9, PEG-LO & PEG-PO

Pegboard Organizer Cookware and Lid Insert

Works in conjunction with Pegboard Organizer Insert to organize cookware in deep drawers.



PEG-9

Pegboard Organizer Insert

Beautiful solid wood pegboard drops into drawer for customizable organization.



SPO15-B18

Spice Tray Drawer Insert

Tiered and tilted design allows the homeowner to easily see spices.



DO21A-B24

Adjustable Cutlery Drawer Insert

Beautiful natural wood divider, simply drops into drawer.



CD21

Double Cutlery Drawer

Double drawer space with our two-tier cutlery drawer; top cutlery drawer slides away revealing bottom cutlery drawer.



KO18-B21

Knife Block Drawer Insert

Get the knife block off the counter and into the drawer with this knife block insert.

CORNER SOLUTIONS

With Hardware Resources' blind corner solutions, previously unused cabinet space is a thing of the past. The variety of options available ensures that we have a solution that will fit your customer's design and style.



Also available in white plastic

HMLS-W-3212

Half-Moon Lazy Susan

Shelves pivot then slide out for full access in hard to reach blind corners. Available in wood and plastic options to meet any budget.



PLSK232

Plastic Lazy Susan

Functional and practical corner solution.



LSR218-SET

Premium Wood Lazy Susan

Timeless traditional lazy susan that features beautiful wood and chrome accents.



BCS0215PCMP-LH

Blind Corner Swingout

Double shelves that independently pull out of the cabinet allow easy access to the back of the cabinet.



SWS-BCS15BN

Storage with Style® Blind Corner Pullout

With a universal design for left or right-hand blind corners, all four baskets pull out of the cabinet for full access of the cabinet.



For more information on cabinet organizers, scan the QR code or visit delivr.com/272ju

WALL STORAGE SOLUTIONS

Maximize cabinet storage with Hardware Resources' wall cabinet solutions. From cabinet pullouts and bakeware organizers to spice racks and wine accessories, we can help make the most beautiful and organized kitchen.



SR30 & WR36MP

Bottle Lattice and Stemware Rack

Showcase a wine collection with our beautiful wine bottle wooden lattice rack and coordinating stemware rack.



WPO2-2685C

Upper Cabinet Pullouts

Pullout shelves keep everything within reach.



SRSS999-LED, SRSSS930-BAM
& SRSS900-BAM

Smart Rail System

Put walls to work with this versatile modular storage system.



SPR9A

Door Mount Spice Racks

Maximize space by adding storage on cabinet doors, freeing up shelf space.

JEFFREY ALEXANDER®

by Hardware Resources

Richard *New collection*



Richard collection in Satin Nickel

The finishing touch that makes a statement.

Lasting Quality

Beautifully durable materials & finishes backed by our lifetime warranty

Superior Selection

A wide range of knob & pull sizes with original patented designs & timeless favorites

Trending Designs

Popular styles in on-trend finishes, including Matte Black, Satin Bronze, & Brushed Gold

**Ask your sales representative for a
Decorative Products & Organization
Catalog to see the full product offering.**



Bring your designs to light with professional-grade LED lighting and power!

Easily turn this...



Into this!



Increase your revenue and customer satisfaction by adding our easy-to-install LED lighting to your projects.

TASKTM
lighting & power

A wide variety of products



Assembled LED Linear Fixtures



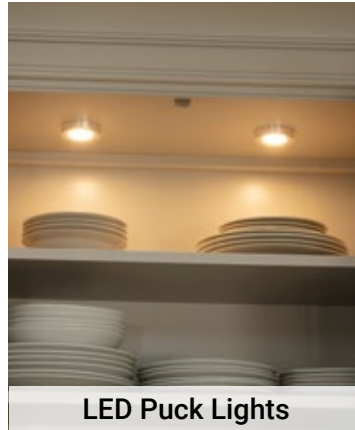
LED Tape Lighting



LED Tape Lighting Kits



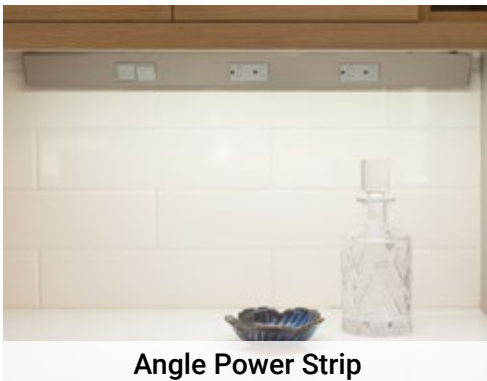
LED Lighted Closet Rods



LED Puck Lights



LED Specialty Lighting



Angle Power Strip



LED Lighted Power Strip

About Task Lighting & Power

Founded in 1985, Task Lighting & Power, a market leader in the development of power and lighting solutions for the kitchen and bath industry for over 35 years, is dedicated to providing quality lighting and power products for the residential and commercial building industry. From the company's manufacturing and design center in Kearney, Nebraska, Task Lighting & Power has developed products that are EASY to install and operate.



Resources that make lighting easy

Help every step of the way

Our FREE in-house Design Services team adds LED Lighting and Power to layouts and quotes, helping assist from start to finish and beyond. Find more information on the next page.



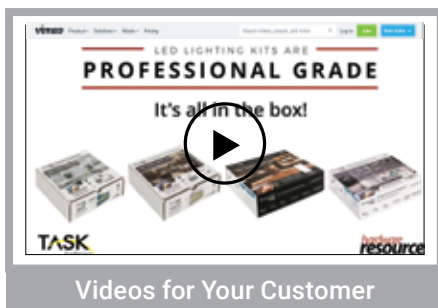
Videos that teach and sell

Visit www.Vimeo.com/TaskLighting to explore our videos on installation, product benefits, highlights, and more!

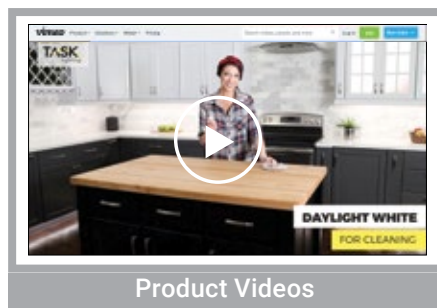


View our Videos

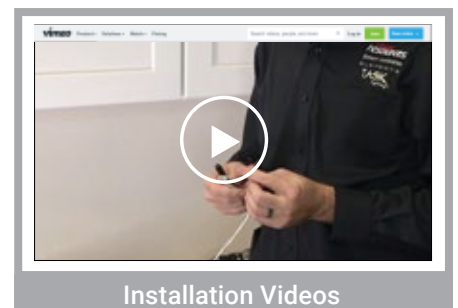
Scan to go to our Vimeo page
delivr.com/2jz2z3



Videos for Your Customer



Product Videos



Installation Videos

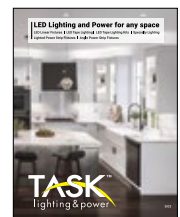


Ask for the Task Lighting & Power catalog

To see additional products, product accessories, and product selection guides, ask your representative for the latest Task Lighting & Power catalog or visit www.TaskLighting.com



Decorative Products & Organization Catalog



Task Lighting & Power Catalog



E-mail DesignAndSupport@TaskLighting.com for FREE layouts, quotes, product selection, and technical support



Ask your rep for the Task Lighting & Power catalog

Design Services Team

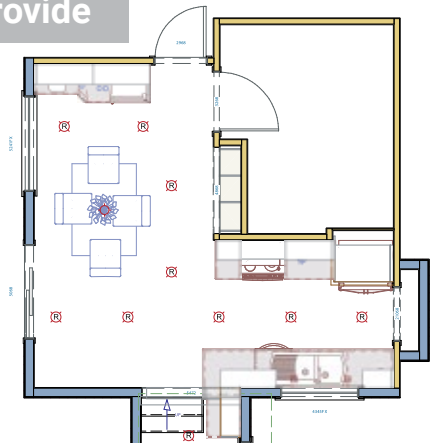
FREE Layouts plus Technical Support

Don't know where to start?

Our dedicated (and free!) Design Services Team is available to help you with technical support, product questions, layout suggestions, and advice on the best products for your project.



What you provide



What we return

TASK
lighting
Design Services
866-848-9094
Design@tasklighting.com

QUANTITY	SYMBOL	ITEM NUMBER	
2		TR18-2400-8-APT 18" TR Series Angle Power Strip with white device, white finish	
1		TR18-2400-8-APT 18" TR Series Angle Power Strip with white device, white finish	
2		CUSTOM TR 8" 18" TR Series Angle Power Strip with white device, white finish	
2		300Q-2400-8-APT 24-1/2" 300 Series LED angled strip light	
1		T-Q WIRE 36 watt receiver	

POWER SUPPLY LISTED ON
UNDER CABINET PARTS LIST



Final installation photo based on layout by Design Services

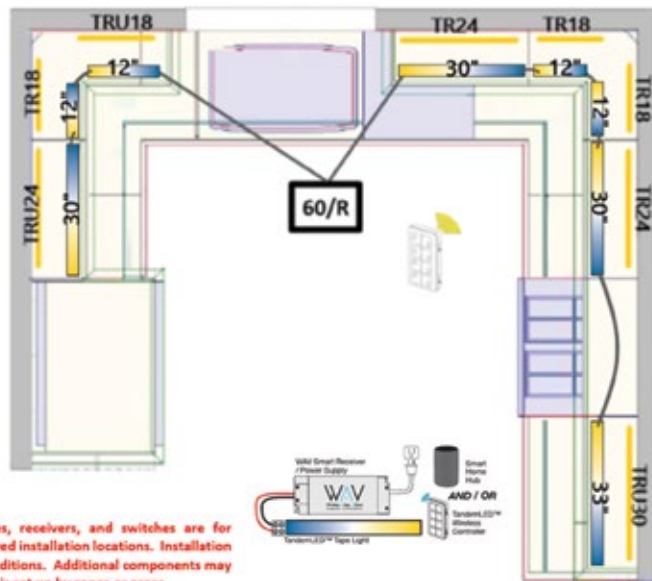
Your FREE Design Assistant for LED Lighting and Power Layouts

Example of a FREE layout from Design Services showing Angle Power Strip and LED Linear Fixtures



Design Services
866-848-9094
DesignAndSupport@TaskLighting.com

QUANTITY	SYMBOL	ITEM NUMBER		
4		UTPT12V12-09W	12" x 12" LED FLAT PROFILE UNDER COUNTER FIXTURE	
2		UTPT12V18-09W	18" x 12" LED FLAT PROFILE UNDER COUNTER FIXTURE	
1		UTPT12V18-09W	18" x 18" LED FLAT PROFILE UNDER COUNTER FIXTURE	
1		T-TRV1-05W-PWR	60W 48Vdc 10A 50 Watt Power Supply / Receiver	
1		T-CH200-018-30	20 gauge stranded, white jacket, 30 ft roll	
1		T-TR-12-00-00-001	TaskLineLED underfoot 2 Zone controller, white	
3		TRU18-DND-P-INT	18" TRU Series Angle Power Strip with white device, white finish	
2		TRU24-DND-P-INT	24" TRU Series Angle Power Strip with white device, white finish	
1		TRU18-DND-P-INT	18" TRU Series Angle Power Strip with white device, white finish	
1		TRU24-DND-P-INT	24" TRU Series Angle Power Strip with white device, white finish	
1		TRU30-DND-P-INT	30" TRU Series Angle Power Strip with white device, white finish	



Adding LED lighting and power is as easy as submitting a layout to our in-house Design Services Team

Submit a CAD drawing, rough sketch, and/or photograph with measurements, and our experienced in-house Design Services Team will return a recommended lighting and/or power design layout.



Scan to fill out the Customer Quote Form
delivr.com/2smah



E-mail DesignAndSupport@TaskLighting.com for FREE layouts, quotes, product selection, and technical support



Ask your rep for the Task Lighting & Power catalog

Preserve the beauty of the backsplash

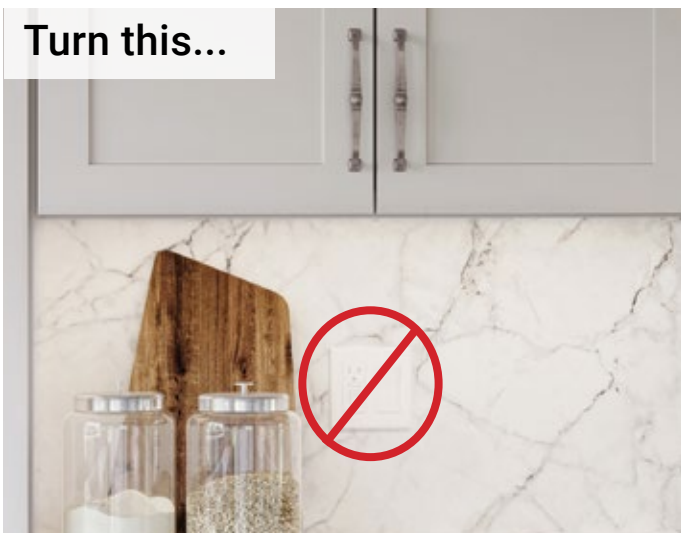


Tucked under the cabinet, the Angle Power Strip disappears at eye level while keeping power accessible

Eliminate those unsightly power outlets with sleek, hidden Angle Power Strip fixtures



Turn this...



Into this!



Avoid cutting into the backsplash—install an Angle Power Strip under the upper cabinets

and island with tucked-away power

Angle Power Strip



Lighted Power Strip



Scan the QR code to see how to use the Angle Power Strip for hidden power or visit delivr.com/2k2zb

Angle Power Strip and Lighted Power Strip Fixtures

- 4 finish options (Black, Bronze, Satin Nickel, and White)
- USB charging options
- Sensible power that doesn't interfere
- Lighted Power Strip—combining LED light and power
- Designed and assembled in Kearney, Nebraska

5 YEAR
WARRANTY

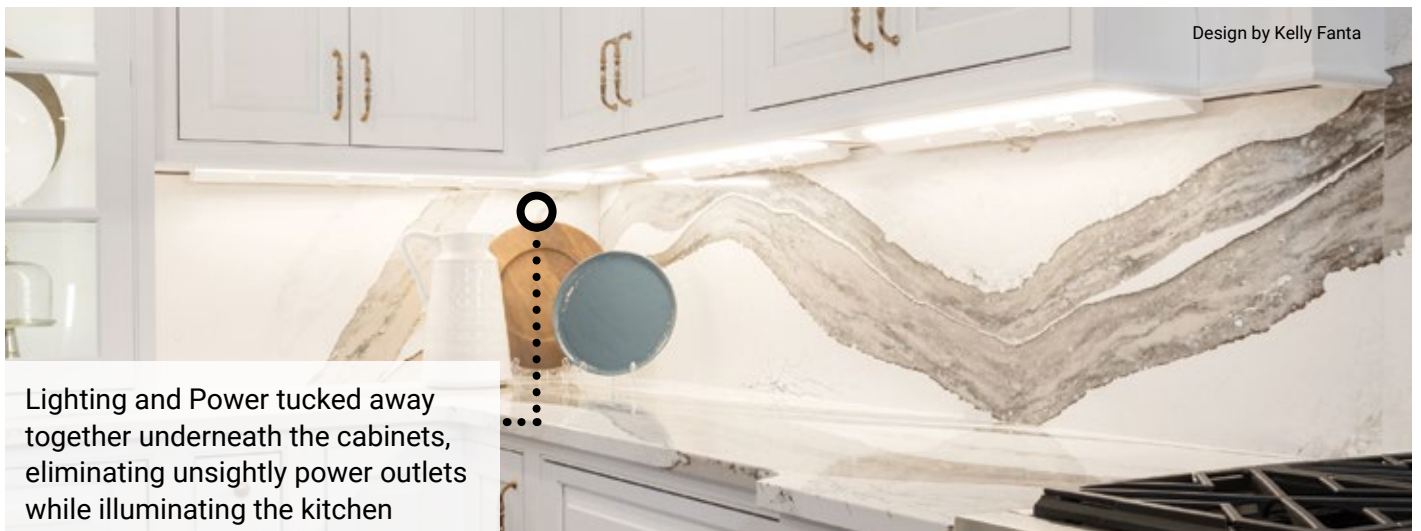


Lighting and Power come together, out of sight beneath cabinets, with Lighted Power Strip fixtures



Now available with 2700K–5000K tunable-white lighting!

Design by Kelly Fanta



Lighting and Power tucked away together underneath the cabinets, eliminating unsightly power outlets while illuminating the kitchen



E-mail DesignAndSupport@TaskLighting.com for FREE layouts, quotes, product selection, and technical support



Ask your rep for the Task Lighting & Power catalog

Lighting made easy with



LED Lighting Products

- Linear Fixtures, Tape Lighting, Puck Lights, Specialty Lighting, Multi-Color RGB Lighting
- 4 single-white light output options
Warm White 2700K, Soft White 3000K,
Cool White 4000K, and Daylight White 5000K
- Tunable-White Lighting featuring patented TandemLED™ technology
- Fixtures assembled in Kearney, Nebraska

5 YEAR
WARRANTY

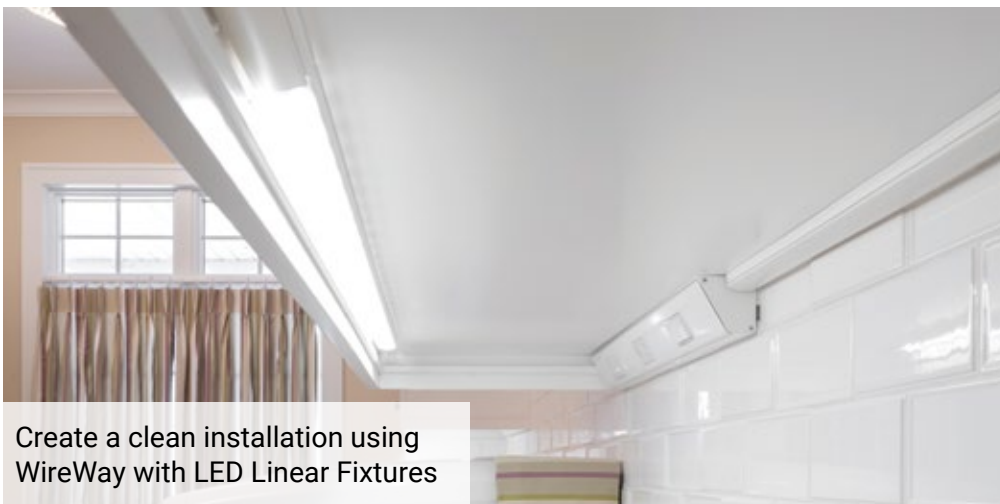


Lighting Benefits

- Easy to install
- Easy to control with wireless, wired, and smart home enabled options
- Versatile lighting applications



**Flat Linear
Fixture**



Create a clean installation using
WireWay with LED Linear Fixtures



Scan the QR code to learn more
about our Linear Fixtures or
visit delivr.com/2x938

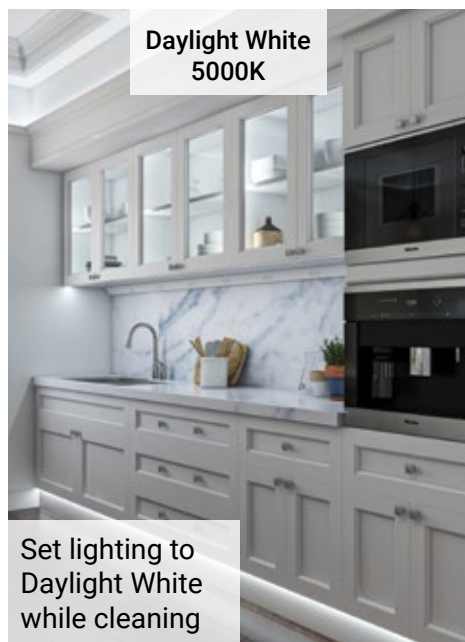
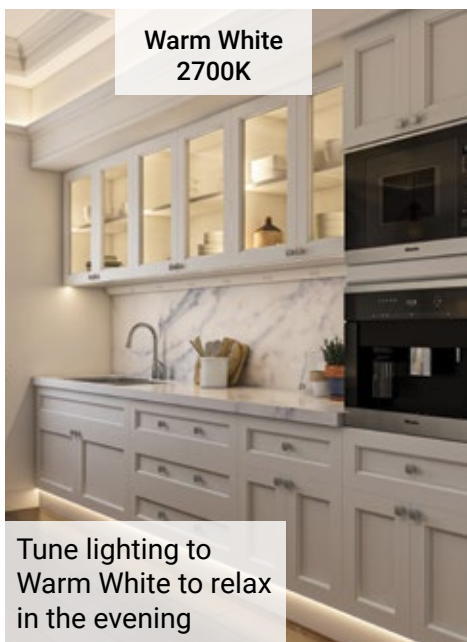
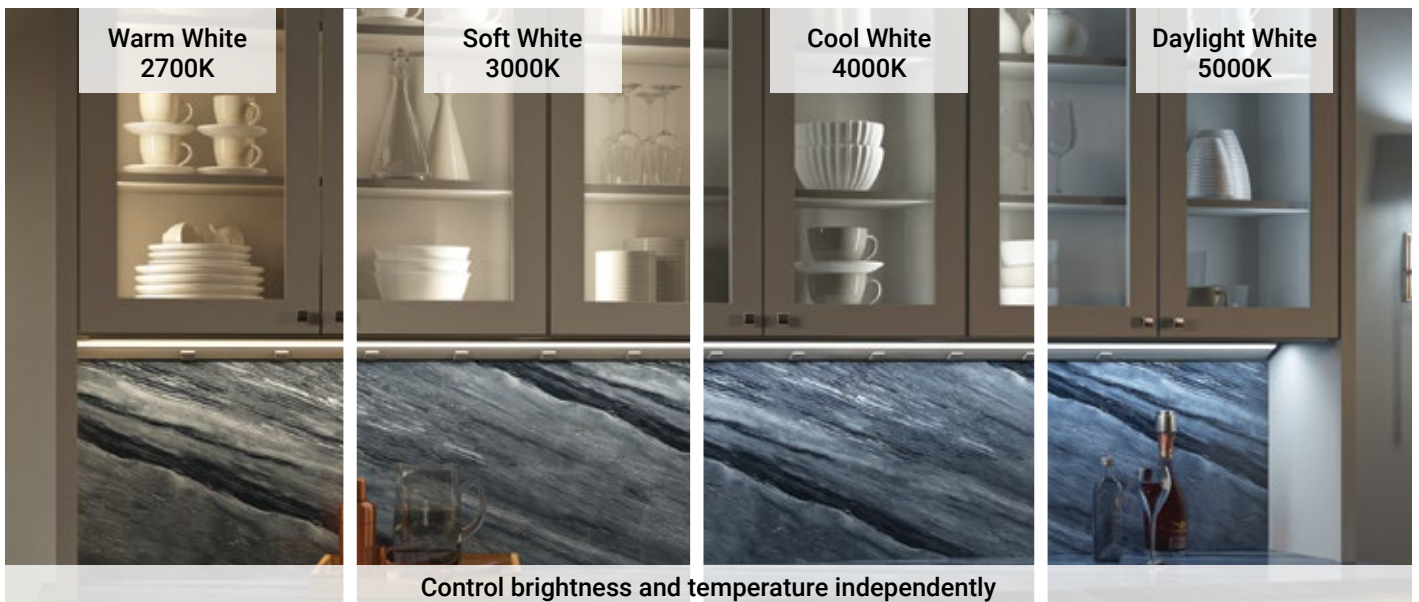
Task Lighting's LED lighting products

Guarantee the best light for your design

Worry-free white light color selection—select the white light Kelvin temperature AFTER the cabinets and lighting are installed. Tunable-White Lighting featuring patented, two-wire TandemLED™ technology is the safe choice – why buy anything else?



Scan the QR code to learn more about our Tunable-White Lighting with patented, two-wire, TandemLED™ technology or visit delivr.com/235qy



Easily tune the white light from Warm White to Daylight White and all shades of white in between at any time!



E-mail DesignAndSupport@TaskLighting.com for FREE layouts, quotes, product selection, and technical support



Ask your rep for the Task Lighting & Power catalog

Easy-to-install lighting

It's all in the box!

Our kits make installing tape lighting easy by eliminating the hassle of ordering individual pieces. Our most popular kits include:

- 16 ft. LED tape lighting
- Plug-in power supply
- Wireless controller/receiver
- Decora-style mounting plate
- Best-in-class connectors
- In-wall rated wire
- Adhesion promoter wipe
- Even a multi-bit screwdriver!



Task Lighting Kit

Before



After



Use an LED Tape Lighting kit to easily enhance any space!

for any space!



Scan to go to our Vimeo page for installation videos
delivr.com/2j2z3

Easy-to-install LED lighting products

- Designed to accommodate all installer skill levels
- Tap into existing wiring or simply plug into an existing electrical outlet
- Easy-to-follow installation videos and instructions
- Simple-to-install snap-in linear fixtures
- 3M™ brand peel-and-stick adhesion for secure installation included on the back of all tape lighting
- Use only what you need for wire—no jumpers or leads to order!
- No messy bundles of wiring to hide
- Wireless Controller means no need to wire in a wall switch (easily mount on the wall to look like a wired-in switch)

Smart home integration made easy

Our WAV Smart Control™ devices can be easily integrated with smart home apps or voice-controlled devices like Amazon Echo. WAV Smart Control™ devices enable the lights to be easily added to leading smart home apps—no additional downloads or software to keep updated!



"Alexa, set the kitchen lights to Cool White!"

Use with a smart home speaker for voice control (not sold by Task Lighting)



E-mail DesignAndSupport@TaskLighting.com for FREE layouts, quotes, product selection, and technical support



Ask your rep for the Task Lighting & Power catalog



Task Lighting & Power products are designed for every room, including: kitchens, baths, laundry rooms, closets, and more.

TASK™

lighting & power

Find more product information in the Hardware Resources Decorative Products & Organization Catalog.

Contact **Design Services and Technical Support** at **866-848-9094** or **DesignAndSupport@TaskLighting.com** for free layout and design service, help with installation and product selection for any sized project.

Visit **TaskLighting.com** to learn more and browse our entire selection of products.

NORTH POINT

CABINETS®





The NorthPoint Cabinetry Solution

NorthPoint Cabinetry features a wide array of **QuickBuild**® cabinet designs, providing value with a quality, custom look. Cabinets are in stock, shipping quickly from our strategically located warehouses across the U.S.

- Unique dovetail and pocket screw cabinet construction for sturdy and fast assembly
- Robust replacement parts program
- Free freight on most orders
- Dedicated customer service support



For more information, visit NorthPointCabinetry.com or scan the QR code.

With 5 dedicated warehouses across the country, NorthPoint Cabinetry typically ships within 48 hours and arrives in 2–3 business days.

The Quick Advantage

Ships QUICKLY, Assembles FAST

NorthPoint Cabinetry offers a **quick** advantage for you and your customer by making it fast and easy to design, order, ship & assemble cabinets. **Why does this matter?** With a reduction in time and labor, you can complete more jobs and see significant savings.

Some specific ways the NorthPoint Cabinetry Quick Advantage can save you time & money:

- **Quick to Design**

Our cabinets are available in 2020 and ProKitchen software, making kitchen design fast and easy.

2020

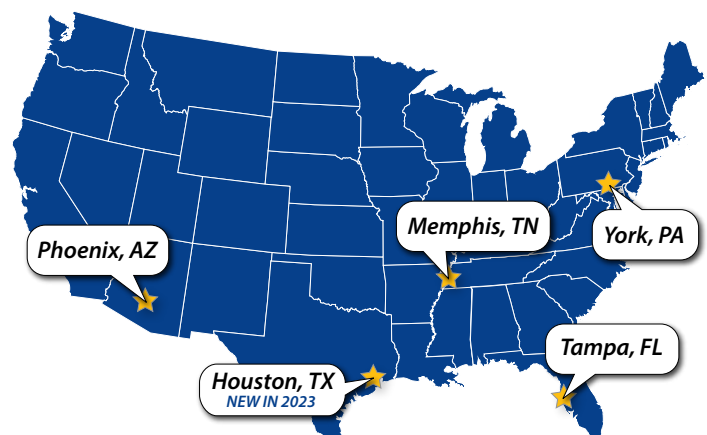


- **Quick to Order**

Place an order for your cabinets with our quoting tool, on our website at NorthPointCabinetry.com, or by contacting a live customer service agent.

- **Quick to Ship**

With 5 dedicated warehouses across the country, orders typically ship within 48 hours and arrive in 2–3 business days.



- **Quick to Assemble**

With our **QuickBuild**® cabinets, the average assembly time per cabinet is 8 minutes*; you can build a medium-sized kitchen in less than half a day.

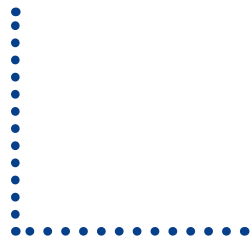


Is NorthPoint Cabinetry right for your business?

Do your projects have short timelines?

Want to grow your business without adding overhead?

Is the budget too tight for custom cabinets?



**NORTH
POINT**
C A B I N E T R Y[®]

NorthPoint Cabinetry is a line of professional-grade, quick-assembly cabinets that helps your bottom line. Let us show you how!



Don't take our word for it!
See what our satisfied customers have
to say about NorthPoint Cabinetry.

“ The customer loved them; I couldn't believe the ease of ordering & the ease of assembly. I have now moved NorthPoint Cabinetry cabinets to all my new home specs under one million dollars. ”

— Scott Armacost,
G.S. Armacost Builders

“ I've worked with several other manufacturers, and overall, the engineering of NorthPoint Cabinetry is superior to other products. ”

— Brian Rushing, Blu Cabinetry
in Tallahassee, Florida

“ We saw a sample of NorthPoint Cabinetry and were impressed. The paint finish was excellent and the dovetail drawer boxes were half-inch thick plywood; most others are only a quarter inch. We have been very pleased. ”

— Michael Ogden, Owner of
Cabinets Direct in Pensacola, Florida

Quality Comes First

You can trust NorthPoint Cabinetry for your customers. Our cabinets and hardware have gone through rigorous third-party testing and meet the KCMA standards. With quality details throughout and the features your customer will appreciate, NorthPoint Cabinetry is built to last.

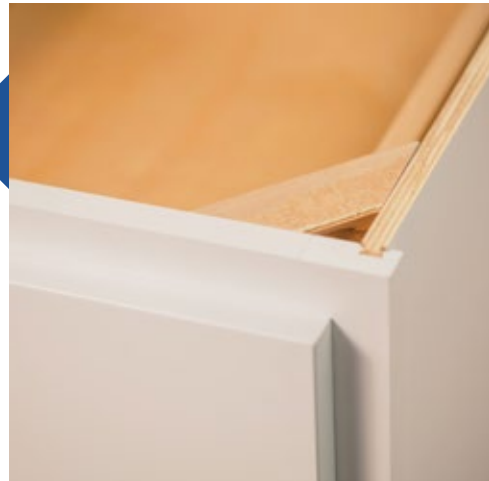


It Starts with Quality Wood

Just as a healthy tree needs strong roots to thrive, a quality cabinet requires premium lumber at its core. The quality of wood is of utmost importance, so our cabinets feature all-wood construction.

Structural Integrity

Meaningful yet hidden reinforcements—like solid wood corner blocks and strategically placed pocket screws—help reinforce the structural integrity of the cabinet. Take comfort that these well-constructed cabinets will stand the test of time.



Thoughtful Craftsmanship

These cleverly designed cabinets boast an innovative dovetail and hidden pocket screw construction that provides robust quality and quick, accurate assembly.



Pretty on the Inside, Too

NorthPoint Cabinetry features a clean and beautifully finished birch interior that enhances the cabinet's luxurious, high-quality appeal.

Premium Drawer Boxes

Dovetail joinery is the hallmark of high-quality drawer boxes. The UV finish of the drawer boxes coupled with the dovetail construction, and smooth concealed slides are synonymous with quality furniture.

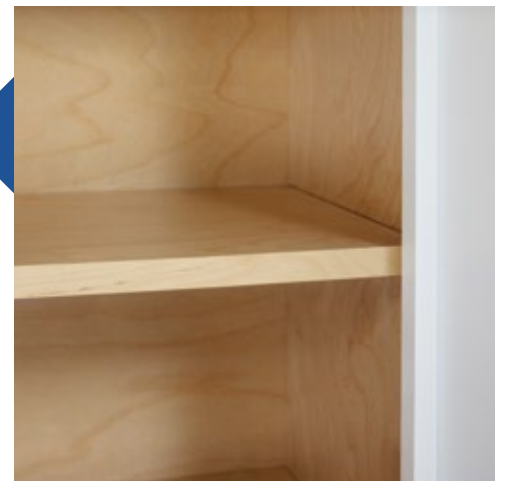


Hardworking Hardware

Our cabinets feature discreet compact hinges and concealed undermount slides. The hinges and slides have been third-party tested and exceed industry standards. The Premier Collection (shown) features full extension slides, allowing for easy access and use of the whole drawer.

Sturdy Shelves

NorthPoint Cabinetry shelves are constructed from an impressive $\frac{3}{4}$ " thick veneered plywood, preventing sagging over time under the weight of normal use. Shelf height is adjustable, so the homeowner can optimize storage space.



Expert Finishing

Count on consistent, high-quality finishing. Our state-of-the-art manufacturing facility utilizes a multi-step professional finishing process. This meticulous process maintains a high degree of color and application accuracy from cabinet to cabinet, ensuring a beautiful run of cabinets when installed.



ESPRESSO



SLATE



PEBBLE GREY



POLAR WHITE

What are **QuickBuild**[®] Cabinets?



Dovetail + Pocket Screws = QuickBuild[®]

Basic assembly of our cabinets is as simple as sliding the panels together and securing with pocket screws. You don't need extra fasteners to hold the panels in place, and conveniently placed pocket screws will reduce the average time you spend on each cabinet.



How fast can you build a cabinet?

One of our cabinets takes about 8 minutes* to assemble (many do it in 4). You can build a kitchen or bathroom in record time!



Scan the QR code or go to <https://delivr.com/2kcwh> to view our Quick Assembly Video.

Our Collections

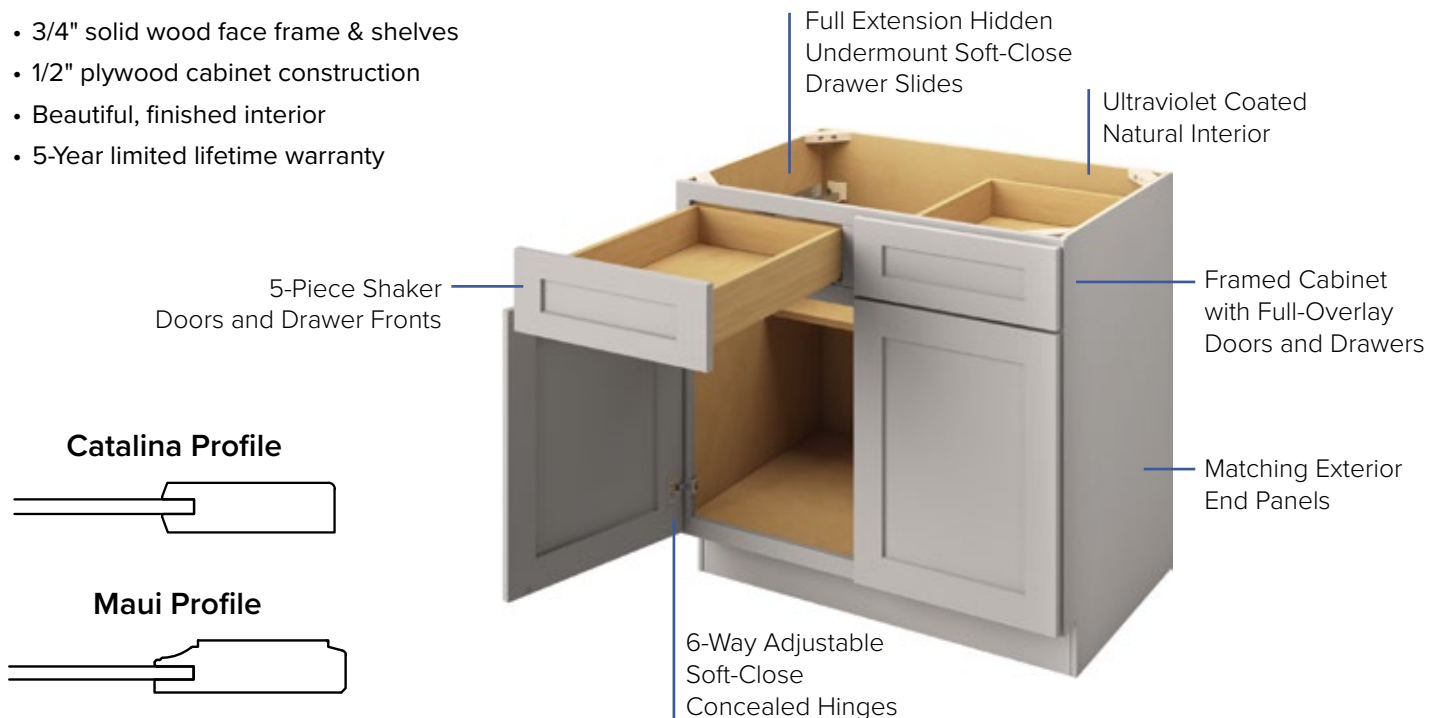


PREMIER Collection

The Premier Collection features elegant upgrades like soft-close doors and drawers.

Door Styles: Catalina, Maui

- 3/4" solid wood face frame & shelves
- 1/2" plywood cabinet construction
- Beautiful, finished interior
- 5-Year limited lifetime warranty





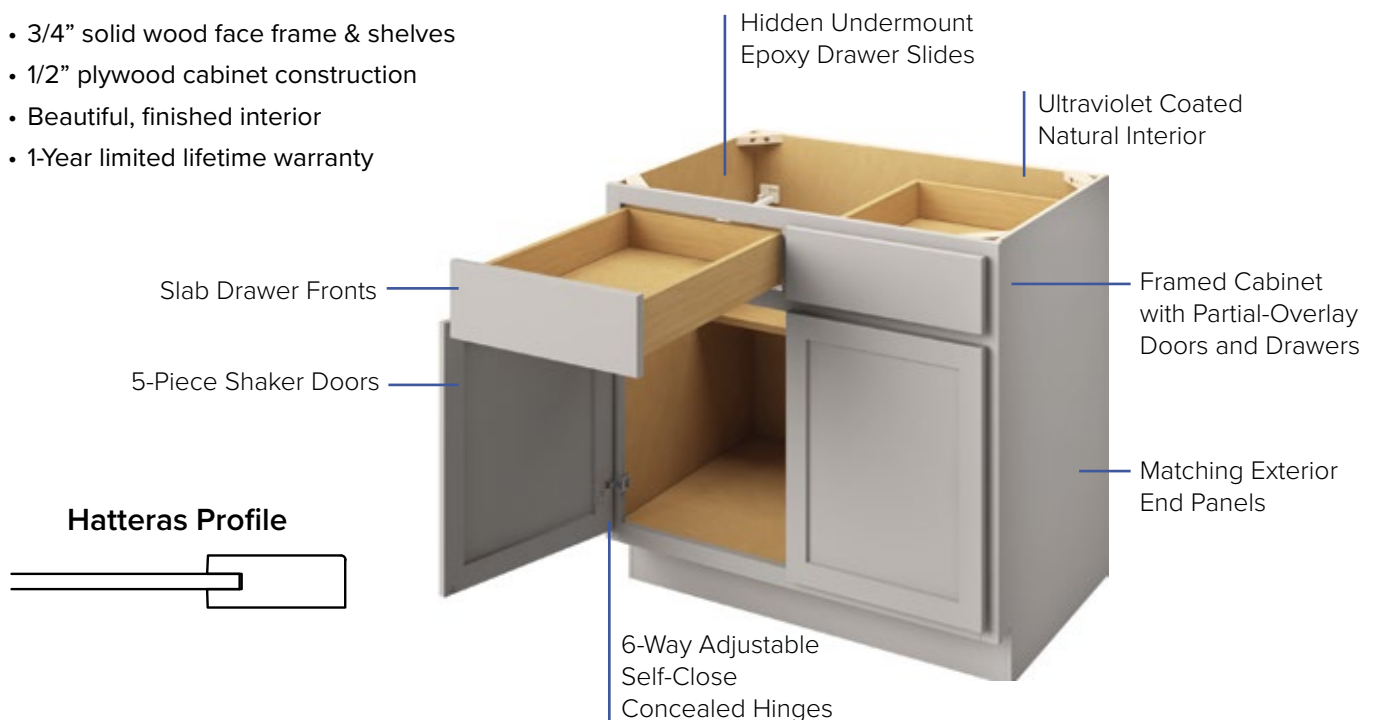
ESSENTIALS

Collection

The Essentials Collection delivers on style at an impressive value.

Door Style: Hatteras

- 3/4" solid wood face frame & shelves
- 1/2" plywood cabinet construction
- Beautiful, finished interior
- 1-Year limited lifetime warranty



PREMIER COLLECTION: CATALINA





CATALINA FINISHES

More than modern. The Catalina door style features a full-overlay, Shaker-style door and 5-piece drawer front.



POLAR WHITE



PEBBLE GREY



ESPRESSO



SLATE



PREMIER COLLECTION: MAUI





MAUI FINISHES

Sometimes the details make all the difference. The Maui door style features a full-overlay, transitional-style door and 5-piece drawer front with a twist of character.



POLAR WHITE



PEBBLE GREY



ESPRESSO



SLATE



ESSENTIALS COLLECTION: HATTERAS





HATTERAS FINISHES

Simple and sleek. The Hatteras door style features a partial-overlay, Shaker-style door and slab drawer front.



POLAR WHITE



PEBBLE GREY



ESPRESSO



Cabinets for Any Space

The kitchen and bath are common spaces to install cabinetry. However, NorthPoint Cabinetry provides solutions for other spaces like the laundry room, mudroom, and entertainment areas. Cabinets make those areas more functional by providing additional storage and countertop work space.



Wine Bar

Catalina Pebble Grey Cabinets

Decorative Cabinet Hardware: Marlo in Satin Nickel



Mudroom

Maui Polar White Cabinets
Decorative Cabinet Hardware:
Ella Collection in Brushed Oil
Rubbed Bronze
Decorative Hooks:
Emerald in Brushed Oil
Rubbed Bronze



Laundry Room

Catalina Slate Cabinets
Decorative Cabinet Hardware:
Hudson Collection
in Satin Nickel

Versatile Vanity Cabinets

Our kitchen and vanity cabinets are made with the same dependable quality and construction. The vanity door styles and finishes match our kitchen cabinet collections, which allows you to design coordinated spaces for your clients and create an intelligent design flow from kitchen to bathroom. Mix up the design styles and finishes from room to room if that best fits the design personality

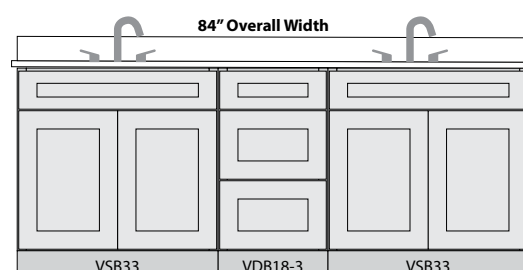
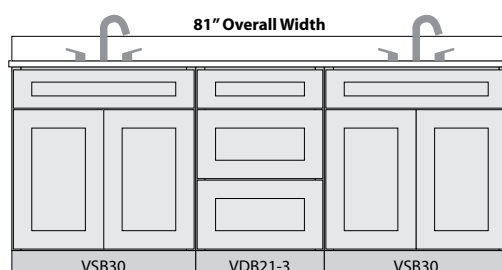
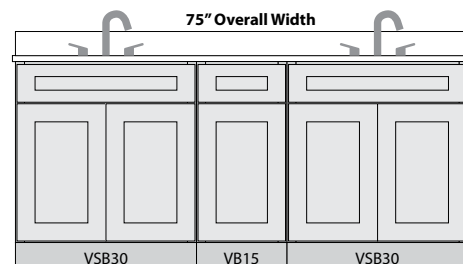
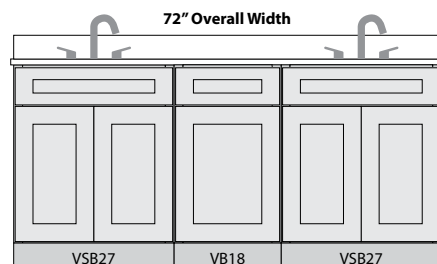
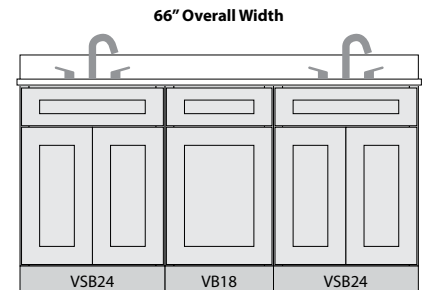
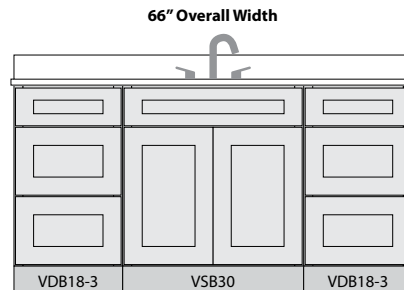
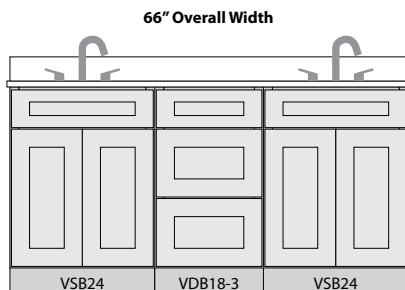
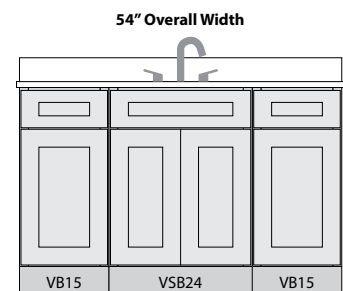
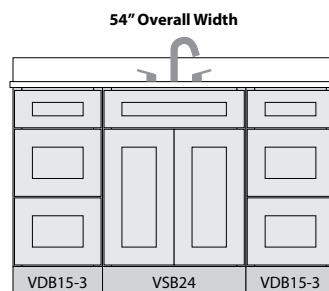
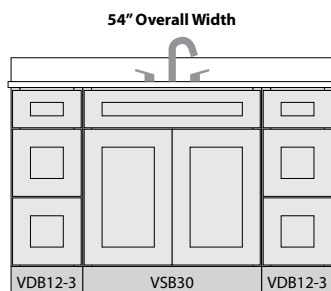
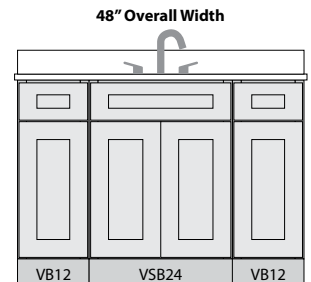
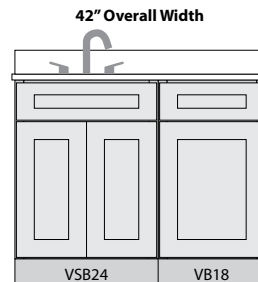
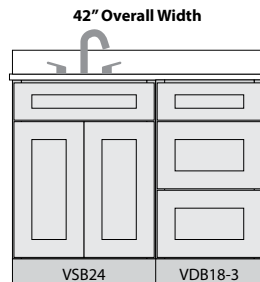
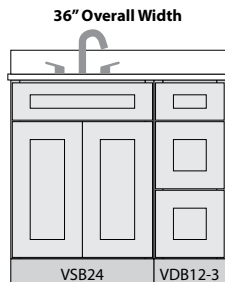
We offer many different vanity cabinet configurations that allow our cabinets to perfectly fit most bathroom spaces. Options like linen cabinets and all drawer cabinets go the extra mile to make the bathroom space functional and beautiful.



Catalina Polar White Cabinets
Decorative Cabinet Hardware: Tahoe Collection in Black

Create Your Customer's Perfect Vanity

Our cabinets are designed to mix and match for a customized solution to fit your customer's lifestyle. Need more drawers? No problem. Prefer one sink and lots of counter space? We've got you covered. Here are some popular combinations to get you started designing the perfect vanity for your customer.



Catalina Polar White Cabinets
Decorative Cabinet Hardware:
Cordova in Satin Nickel
VBTD42





Maui Espresso Cabinets
 Decorative Cabinet Hardware: Bremen 2 in Gun Metal
 VSB30, VDB15-3 & VL1884



Maui Pebble Grey Cabinets
 Decorative Cabinet Hardware: Florence in Satin Bronze
 VSB24 & VDB12-3

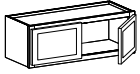


Maui Polar White Cabinets
 Decorative Cabinet Hardware: Hayworth in Matte Black
 VSB24

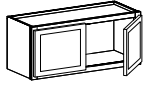
Cabinet Lineup

WALL CABINETS

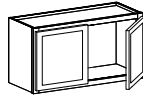
12" deep except where noted
 42" high wall cabinets will have 3 shelves
 *39" and 42" widths will have a vertical center stile unless otherwise noted



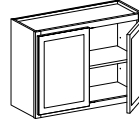
Double Door
 12" Height
 30", 33", 36",
 or *39" Width



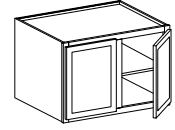
Double Door
 15" Height
 30", 33", 36",
 or *39" Width



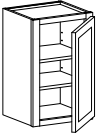
Double Door
 18" Height
 21", 24", 30", 33", 36",
 or *39" Width



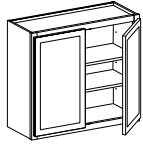
Double Door
 24" Height
 30", 33", 36", or *39" Width



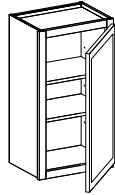
Deep Double Door
 18" or 24" Height • 24" Depth
 36" or *39" Width
 18" Height does not have shelf



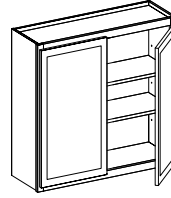
Single Door
 30" Height
 9", 12", 15", 18", or 21" Width



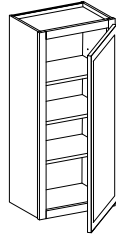
Double Door
 30" Height
 24", 27", 30", 33",
 36", *39", or *42" Width



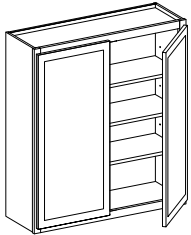
Single Door
 36" Height
 9", 12", 15", 18", or 21" Width



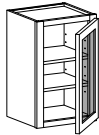
Double Door
 36" Height
 24", 27", 30", 33",
 36", *39", or *42" Width



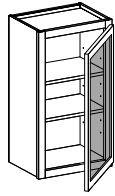
Single Door
 42" Height
 9", 12", 15", 18", or 21" Width



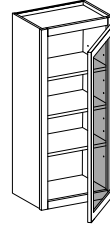
Double Door
 42" Height
 24", 27", 30", 33",
 36", *39", or *42" Width



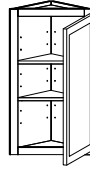
Single & Double Glass Door
 Matching Finish Color Interior
 30" Height
 15", 18", 30", or 36" Width



Single & Double Glass Door
 Matching Finish Color Interior
 36" Height
 15", 18", 30", or 36" Width

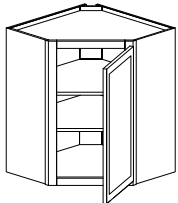


Single & Double Glass Door
 Matching Finish Color Interior
 42" Height
 15", 18", 30", or 36" Width

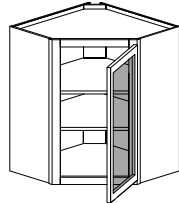


Wall End Single Door
 30", 36", or 42" Height
 12" Width

Glass door wall cabinets only available in the Premier Collection

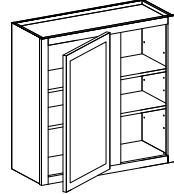


Diagonal Corner
 30", 36", or 42" Height
 12 or 15" Depth
 24" or 27" Width

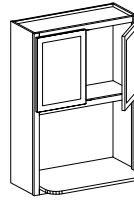


Diagonal Corner Glass Door
 Matching Finish Color Interior
 30", 36" or 42" Height
 12 or 15" Depth
 24" or 27" Width

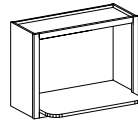
Glass door wall cabinets only available in the Premier Collection



Universal Blind Corner
 30", 36", or 42" Height
 30"-33" Width



Microwave Wall Cabinet
 Extended Shelf
 36" Height
 30" Width

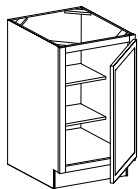


Microwave Wall Cabinet
 Extended Shelf
 18" Height
 30" Width

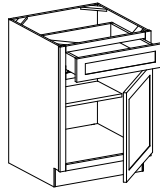
BASE CABINETS

24" deep, 34-1/2" high
 except where noted

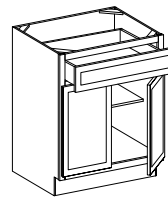
*39" and 42" widths will
 have a vertical center stile
 unless otherwise noted



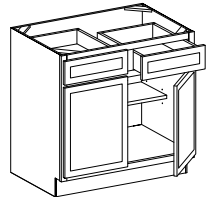
Full Height
Single Door
 9", 12", 15", or 18" Width



Single Door
and Drawer
 12", 15", 18", or 21" Width

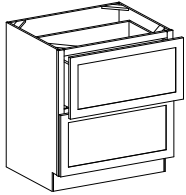


Double Door and
Single Drawer
 24", 27", or 30" Width

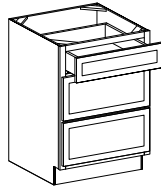


Double Door and
Double Drawer
 33", 36", *39", or *42" Width

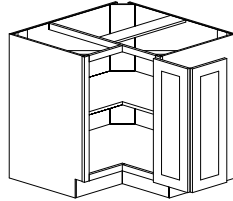
2,100 Cabinet Options in Stock for Quick Delivery



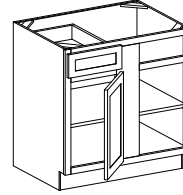
Double Drawer
30" or 36" Width



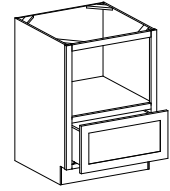
Triple Drawer
12", 15", 18", 21", 24", 30",
or 36" Width



Base Corner Cabinet
33" or 36" Width
(Lazy Susan inserts available)



**Universal Blind
Base Corner**
39"-42", 42"-45", or
45-48" Width

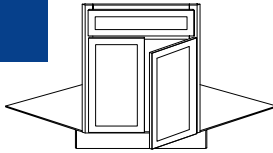


**Microwave Base
Cabinet with Drawer**
30" Width

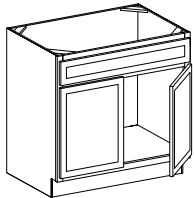
SINK BASE CABINETS

24" deep, 34-1/2" high
except where noted.

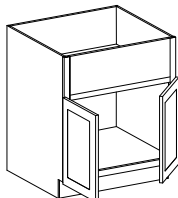
*39" and 42" widths will
have a vertical center stile
unless otherwise noted



**Corner Sink Front
Double Door**
24" Depth
(2-piece bottom panel)



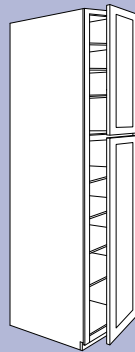
**Sink Base
Double Door**
30", 33", 36", or 39" Width



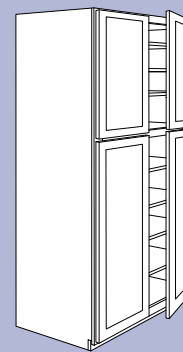
**Farmhouse Sink
Base Double Door**
36" or 39" Width
(No center stile)

TALL CABINETS

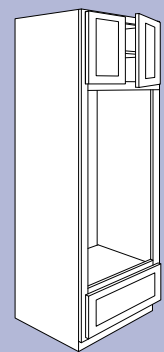
24" deep except
where noted.



**Utility/Pantry
Single Door**
84", 90" (6 shelves),
or 96" Height (7 shelves)
18" Width



**Utility/Pantry
Double Door**
84", 90" (6 shelves),
or 96" Height (7 shelves)
24" or 30" Width

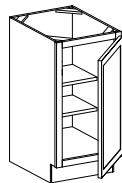


**Oven Double Door,
Single Drawer**
84", 90", or *96" Height
33" Width
*Single shelf in 96" only
(Double Oven Overlay Panel available)

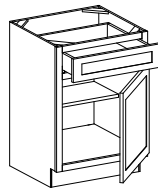
VANITY CABINETS

21" deep, 34-1/2" high
except where noted

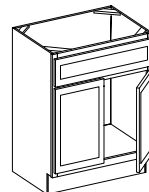
*42" widths will have a
vertical center stile



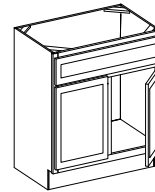
Single Door
12" Width



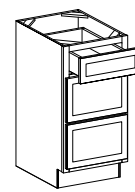
**Single Door
and Drawer**
12", 15", or 18" Width



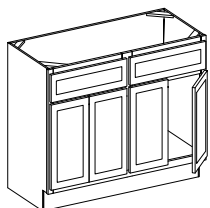
Double Door
24", 27", 30", 33",
or 36" Width



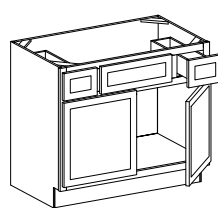
**Double Door
Center Stile**
42" Width



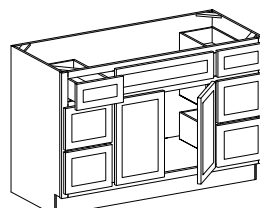
Triple Drawer
12", 15", 18", or
21" Width



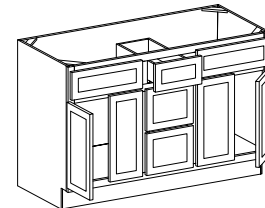
Two Double Door
48" Width



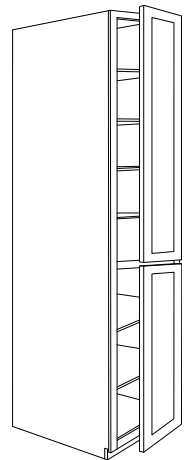
**Double Door and
Double Drawer**
36", 42", or 48" Width



**Double Door and
Six Drawer**
60" Width



**Two Double Door and
Triple Drawer**
60" Width



**Linen Single &
Double Door**
84" (6 shelves)
Single: 15" and 18" Width
Double: 24" Width

Complete the Look with Accessories

Add the finishing touch to your customer's cabinets with our broad selection of cabinet accessories. Whether your client's ideal space is traditional, transitional, or contemporary, we have the selection available to transform the space from ordinary to extraordinary.



MOULDING

Crown, toe kick, light rail, scribe, and accent moulding options available

Available in all finishes:
Polar White, Pebble Grey,
Espresso & Slate

OVERLAY FILLERS

Fluted and smooth options available

Available in all finishes:
Polar White, Pebble Grey,
Espresso & Slate





DECORATIVE PANELS

Available in all finishes:
Polar White, Pebble Grey,
Espresso & Slate

DECORATIVE WOOD

Available in all finishes & door styles:
Polar White, Pebble Grey,
Espresso & Slate



SPECIALTY CABINETS

Available in all finishes:
Polar White, Pebble Grey,
Espresso & Slate

Knobs & Pulls

JEFFREY ALEXANDER[®]
by Hardware Resources

E L E M E N T S[®]
by Hardware Resources

Cabinets from NorthPoint Cabinetry are not complete without Jeffrey Alexander or Elements cabinet knobs and pulls! Your clients can personalize their space—really bringing their style to life. Cabinet knobs and pulls often take center stage by adding the finishing touch on the perfect design. There are **1,000s of different knobs and pulls for your clients to choose from** in various sizes, finish options, and price points so that they can achieve that perfect look.

See our full offering of cabinet knobs & pulls in the 2023 Decorative Products & Organization Catalog.



Satin Nickel Pulls

Leyton from Jeffrey Alexander
Maui Espresso Cabinets



Matte Black Pulls

Wheeler from Jeffrey Alexander
Catalina Polar White Cabinets



Satin Bronze Pulls

Thatcher from Elements
Catalina Espresso Cabinets



Brushed Gold Pulls

Naples from Elements
Hatteras Polar White Cabinets

Create an Organized & Efficient Kitchen

Cabinet design is not only about aesthetics—functionality of the space is an important factor. Improve your client's experience with Organizers that conquer clutter and make reaching items easy and efficient. See our full offering of Organizer products in the 2023 Decorative Products & Organization Catalog.

Neatly Tuck Away Trash Cans

Pick a trash can solution that best fits your kitchen and your budget.

- Wood Bottom Mount Trash Can
- Economy Soft-Close Trash Can
- Storage with Style® Trash Can Pullout



Organization Within Reach

Maximize cabinet storage with base cabinet organizers. Choose pullout organizers to maximize storage and eliminate the reach.

- "No Wiggle" Base Pullout
- Mixer Lift
- Storage with Style® Base Pullout



For more information on cabinet organizers, scan the QR code or visit delivr.com/272ju

See the NorthPoint Cabinetry Cross Reference Guide in the NorthPoint Cabinetry Spec Book to determine which organizers fit in each cabinet.



Corner Storage That Comes To You

Bring the deep recesses of corner cabinets forward with corner organizers.

- Easy 360 Susan
- Half-moon Lazy Susan
- Storage with Style® Blind Corner Pullout

Tame Drawer Clutter

Drawer inserts help organize everything from cutlery to spices to dishes.

- Cutlery Drawer Insert
- Spice Rack Drawer Insert
- Peg Board Drawer Insert

✓ POPULAR



Organize Heavily Used Cabinets

Go from disorder to order with solutions for challenging storage areas.

- Easy Access Pantry Pullout
- Tray & Cookie Sheet Dividers
- Storage with Style® Pullout Baskets

Add Lighting to Brighten the Kitchen



Highlight the beauty of your cabinet design with LED lighting from Task Lighting & Power. Select from a variety of assembled linear fixtures, tape lighting, puck lights, and specialty lighting—allowing your clients to set the mood in any room.



1 *Illuminate countertops with Under Cabinet Lighting*

Illuminate countertops with under cabinet lighting to enhance functional spaces, highlight beautiful backsplashes, or eliminate shadows created from cabinets. Under cabinet lighting creates ample illumination for meal prep and reading recipes.

2 *Accentuate decorative items on display with In Cabinet Lighting*

Use lighting in glass-faced cabinets to accentuate decorative items on display or highlight beautiful crystal and china. Adding lighting inside a glass door cabinet gives a nice wash of light throughout the cabinet.

3 *Highlight beautiful flooring with Toe Kick Lighting*

Add lighting under the toe kick to highlight beautiful flooring during the daytime. At night, keep floors safely illuminated with a gentle glow for midnight snacking.

4 *Add ambiance and make the space feel larger with Above Cabinet Lighting*

Add depth and ambiance to your kitchen by highlighting the open space above cabinets to increase the aesthetic appeal and make the space feel larger.





Linear Fixtures available in 14 lengths to fit under cabinets 9”–48”



Angled Linear Fixture

Install under or in a cabinet to angle the light where it's needed.



Flat Linear Fixture

Install under a cabinet to illuminate the workspace below.



Recessed Linear Fixture

Recess into a frameless cabinet or shelf for a flush, sleek finish.

- No assembly required—fixtures snap into single-screw mounting clips for secure installation
- Designed to fit standard cabinet widths for simplified ordering
- Select between 3000K or 4000K for single-white, or select tunable-white lighting for 2700K—5000K and all Kelvin temperatures in between

For more information on Linear Fixtures, see the Task Lighting & Power Catalog.

- Easy two-wire connection at either set of terminals
- Dimmable with wireless, wired, or Smart Home enabled control
- The economical choice—great price, fast installation, uses regular wire, not jumpers

ASSEMBLED
IN THE
USA

Don't know where to start?

Get connected with one of our friendly in-house Design Services team members to help you pick out the lighting products that will work best in the space.

866.848.9094

DesignAndSupport@TaskLighting.com

Hide Unsightly Power Outlets



Angle Power Strip fixtures tuck away hidden power right where it's needed and are the perfect alternative to standard outlets that disrupt the beauty of glass, tile, or solid-surface backsplashes.



18" Black fixture* with USB charging outlets



18" Satin Nickel fixture* with USB charging outlets



18" Bronze fixture* with USB charging outlets



18" White fixture* with USB charging outlets

ASSEMBLED
IN THE USA



5 YEAR WARRANTY



For more information on Angle Power Strip fixtures, scan the QR code or visit www.TASKLighting.com

*Available in standard lengths from 9" to 72", custom options available



Tucked away electrical power, plus switches to control lighting, garbage disposal



Lighted Power Strip

Combines LED lighting and angled power outlets



Hatteras Polar White Cabinets, Hatteras Pebble Grey Island
Decorative Cabinet Hardware: Naples Collection in Brushed Gold



Angle Power Strip tucked up under the cabinet preserving the backsplash (and "disappears" when standing)

ELIMINATE THOSE UNSIGHTLY POWER OUTLETS WITH SLEEK, HIDDEN ANGLE POWER STRIP FIXTURES



Light & Power come together, out of sight beneath cabinets, with Lighted Power Strip fixtures. Now available with tunable-white lighting!

Lighted Power Strip tuned to Warm White 2700K



Lighted Power Strip tuned to Daylight White 5000K

For more information on Angle Power Strip Fixtures, see the Task Lighting & Power Catalog.

Resources

Assembly Videos



Base Cabinets
delivr.com/2s43x



Base Corner Cabinets
delivr.com/2r23p



Utility/Pantry Cabinets
delivr.com/29fgn



Double Oven Cabinets
delivr.com/28pgy



Wall Cabinets
delivr.com/25hbr



Wall Corner Cabinets
delivr.com/2d3s3



Wall End Cabinets
delivr.com/2krhy

NorthPoint Cabinetry Videos

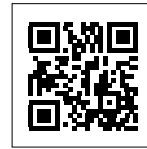


NorthPoint Brand Overview
delivr.com/2nyhg



Anatomy of a Cabinet
delivr.com/2zmba

NorthPoint Cabinetry Website



www.NorthPointCabinetry.com

Literature & Samples

Available on the Resources section of our website.



Homeowner Catalog



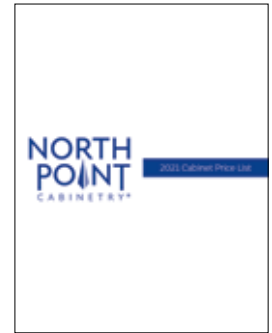
Vanity Catalog



Homeowner
Selection Guide



Spec Book



Price Book



Mini Base Cabinets

The mini-base cabinet, a miniature version of our base cabinets, is available in the Premier Collection to demonstrate the quality and functionality of our cabinets without taking as much space as a full-sized cabinet.

Also available:
Touch Up Kits (not shown)
Cabinet Selection Center (coming soon)



Sample Door Kit

Ordering Made Easy

NorthPoint Cabinetry offers 3 convenient methods for easy order placement. We recommend placing orders online for faster processing and delivery and to easily confirm products are in stock.

1. Online: www.NorthPointCabinetry.com
2. Email: Orders@NorthPointCabinetry.com
3. Fax: (318) 742-9513

Order Placement

Place your online order by visiting www.NorthPointCabinetry.com. Login, select the items you wish to order, and simply checkout.

To order by email or fax, obtain a cabinet order form by logging in to the website, or request a form from a Customer Service team member or your sales representative. Submit the completed order form to the email address or fax number listed above. 2020 and ProKitchen material lists are also accepted as long as NorthPoint Cabinetry's item number nomenclature is used.

For questions about your order, call (800) 463-0660. Our friendly customer service agents are available to help you from 7am until 6pm Central Time.

Order Processing

Please allow up to 24 hours from order confirmation for most NorthPoint Cabinetry orders to be processed in our warehouse. Will Call orders are accepted and also require additional time for processing. You will be notified when your Will Call order is available for pickup. Will Call orders are available for pickup at our facilities between the hours of 8am and 4pm local warehouse time. Contact Customer Service should you need to change your order or to confirm your order is ready for pickup.

Returns

All requests for returns must be made within 60 days of invoice date. Returns are subject to a 20% restocking fee unless the return is due to Hardware Resources' error or a quality issue.

To request a Return Goods Authorization (RGA) contact Customer Service.

1. Phone: (800) 463-0660
2. Fax: (318) 742-9513
3. Email: ReturnRequest@HardwareResources.com

Include the item number, quantity and reason for return when requesting an RGA. Items should be in original packaging, unassembled, and shipped with care to avoid damage. Items received with damage may not be credited.

In the event that the return is due to an error by Hardware Resources, return shipping instructions will be provided. Otherwise, shipments are the Customer's responsibility (including shipping fees) and should be shipped via a method which allows shipment tracking and proof of delivery.

Premier Collection

Hardware Resources warrants to the original consumer purchaser that our Premier Cabinetry will be free from unnatural defects in material and workmanship under normal use and proper care for the period of FIVE (5) YEARS from the date of original purchase. This Limited Warranty applies only to the Original Purchaser and is not transferable to any other party.

WARRANTY COVERAGE

Limited 5-Year Warranty on Cabinets to the original purchasing consumer from the date of original purchase that the cabinets will be free from defects in material and workmanship under normal use and proper care. Limited Lifetime Warranty on Drawer Slides and Hinges to the original purchasing consumer as long as they own the product. We warrant that the drawer slides and hinges shall be free from defects in material and workmanship under normal use.

Essentials Collection

Hardware Resources warrants to the original consumer purchaser that our Essentials Cabinetry will be free from unnatural defects in material and workmanship under normal use and proper care for the period of ONE (1) YEAR from the date of original purchase. This Limited Warranty applies only to the Original Purchaser and is not transferable to any other party.

WARRANTY COVERAGE

Limited 1-Year Warranty on Cabinets and on Drawer Slides to the original purchasing consumer from the date of original purchase that the cabinets will be free from defects in material and workmanship under normal use and proper care. Limited Lifetime Warranty on Hinges to the original purchasing consumer as long as they own the product. We warrant that the drawer slides and hinges shall be free from defects in material and workmanship under normal use.

Policies and Procedures

ORDERING

- Website: www.HardwareResources.com
- Phone: (800) 463-0660
- Fax: (318) 742-9513
- Email: CustomerService@HardwareResources.com
- Mail: 4319 Marlena Street, Bossier City, LA 71111
- Customer Service is available from 7:00 am until 6:00 pm Central Time
- \$25 order minimum unless purchasing items as part of our Preferred program
- Your Will Call order will be ready for pickup two hours after you have received your order confirmation email. Will Call orders will be available for pickup between the hours of 8 am and 4 pm local warehouse time. Should you have any questions about picking up your order or need to have the order modified in any way, contact your Customer Service Representative.

The Hardware Resources website allows you to place an order, track shipments, view payments, download price lists, add additional website users and offers many other features.

RETURNS

All requests for returns must be made within 60 days of invoice date. Returns are subject to a 20% restocking fee unless the return is due to Hardware Resources' error or a quality issue.

To request a Return Goods Authorization contact Customer Service.

- Phone: (800) 463-0660
- Fax: (318) 742-9513
- Email: ReturnRequest@HardwareResources.com
- Include the item number, quantity and reason for return when requesting an RGA

Items should be in original packaging and shipped with care to avoid damage. Items received damaged may not be credited.

In the event that the return is due to an error by Hardware Resources a return shipping label will be provided. Otherwise, shipments are the Customer's responsibility and should be via a method which allows shipment tracking and proof of delivery.

MINIMUM ADVERTISED PRICE (MAP) POLICY

Hardware Resources has a strict internet MAP (Minimum Advertised Price) Policy. Our policy is a maximum 10% discount off of our current List Price across all Hardware Resources brands and products for sale on the internet.

The only exception to the MAP policy is for products Hardware Resources has designated on our HardwareResources.com website as Discontinued.

Hardware Resources is committed to proactively seeking out, finding, and dealing with Internet MAP Policy violators. Customer websites are checked during weekdays, and also checked evenings and weekends to find violations outside of regular business hours. We strive to find and fix MAP violations before we hear a complaint from a Customer. Policy violations result in suspensions and customer terminations, and we do several such terminations each year.

Log into your account on www.HardwareResources.com for a more detailed listing of our Policies and Procedures.

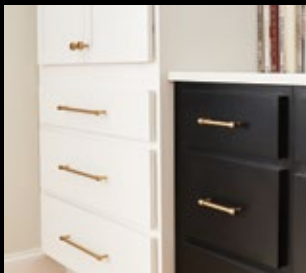
View additional product lines in our companion catalog



Decorative Products & Organization Catalog

Browse the items below:

- Knobs & Pulls
- Decorative Hooks
- Bath Hardware
- Designer Bath Vanities
- Stainless Steel Sinks
- Kitchen Organizers
- Bath Organizers
- Closet Organizers
- LED Lighting
- Angle Power Strip Products
- NorthPoint Cabinetry



KNOBS & PULLS



BATH VANITIES



ORGANIZERS

Contact your Hardware Resources Sales Representative for more information and printed literature or check out the digital versions on the catalogs page of our website www.HardwareResources.com/HR-catalogs

Want more inspiration? Find us on social media!



DESIGN by *hardware resources*®

A BLOG FOR THE DESIGN COMMUNITY

<https://blog.hardwareresources.com>

Acct # _____

Website Login _____

Website Password _____

hardware
resources®

4319 Marlena St, Bossier City, LA 71111

www.HardwareResources.com

800.463.0660 • fax 318.742.9513



CATMFG23-1 3/2023